



Catálogo de Aplicação Geral

2013



INCLUSÕES

Referencia	Sistema	Aplicado na Marca	Eixo
------------	---------	-------------------	------

Pastilhas para freio a disco

PD/59			Traseiro
PD/94	Teves	GM	Dianteiro
PD/201			Dianteiro
PD/205	Knorr	Mercedes-Benz	Dianteiro
PD/206	Knorr	Mercedes-Benz	Traseiro
PD/809	Sumitomo	Honda	Dianteiro
PD/1099-B	Brembo	Citroen / Peugeot / Fiat	Dianteiro
PD/1101	Bosch	GM	Dianteiro
PD/1102	Bosch	GM	Traseiro
PD/1000	Teves	Citroen	Dianteiro
PD/1052	Akebono	Honda	Dianteiro
PD/1072		Nissan	Traseiro
PD/1077	Tokico	Suzuki	Dianteiro
PD/1080	ADVICS	Mazda	Dianteiro
PD/1081	Akebono	Mazda	Traseiro
PD/1277	Mando	Hyundai	Dianteiro
PD/1287	Mando	Hyundai / Kia Motors	Dianteiro
PD/1296	Mando	Hyundai / Kia Motors	Dianteiro
PD/1298	Hyundai	Hyundai	Dianteiro
PD/1299	Mando	Hyundai / Kia Motors	Traseiro
PD/1330		Asia Motors / Chana / EFFA	Dianteiro

Sapatas com lona colada

CB/177-CP		GM	Freio de mão
HY/340-CP		Hyundai	Freio de mão
KI/360-CP		Kia Motors	Traseiro
NI/176-CP		Nissan	Traseiro

Estes produtos estarão disponíveis para venda após a publicação na lista de preços correspondente.

Para maiores informações consulte nosso catálogo eletrônico no endereço:
<http://catalogo.fras-le.com.br>

Marca	Pg
ACURA	4
AGRALE	4
ALFA ROMEO	5
AM GENERAL	5
ANTONINI	5
ASIA MOTORS	5
AUDI	5 a 8
BISELLI	8
BMW	8
CASE	9
CADILLAC	9
CATERPILLAR	9
CHANA	9
CHARGER	9
CHERY	9
CHRYSLER	9 a 11
CITROEN	11 a 13
CLARK	13 e 14
CONTIN	14
CUMMINS	14
DAEWOO	14 e 15
DRESSER	16
EFFA	16
ENGESA-FNV (Fruehauf)	16
FACHINI	16
FIAT	16 a 24
FNM (Alfa Romeo)	24
FORD	24 a 31
GENERAL MOTORS	31 a 38
GMC	38 e 39
GOLIVE	39
GOTTI	39
GRAHL	39
GUERRA	40
GURGEL	40
HONDA	40 a 42
HUBER-WARCO	42
HUMMER	42
HYUNDAI	42 e 43
IDEROL	43
INFINITI	43 e 44
INTERNACIONAL	44
IVECO	44 e 45
JAC	45
JAGUAR	45
JEEP	45 e 46
KIA MOTORS	46 e 47
KRONE	47
LADA	47
LAND ROVER	47
LEXUS	47

Marca	Pg
LINCOLN	48
MAFERSA	48
MAHINDRA	48
MAN	48
MARCOPOLO	48
MARINGÁ	48
MASSARI	48
MASSEY-FERGUSON	48
MAZDA	48 e 49
MERCEDES-BENZ	49 a 58
METALPI	58
MINUANO	58
MITSUBISHI	58 a 60
NISSAN	60 e 61
NOMA	61
OTTO-DEUTZ (Demisa)	61
PASTRE	61
PEUGEOT	61 a 64
PUMA	64
RANDON	64 e 65
RECRUSUL	65
RENAULT	65 a 68
RODOVIÁRIA	68
ROSSETTI	68
SCANIA	68 a 71
SCHIFFER	71
SEAT	71 e 72
SINOTRUK	72
SKODA	72
SSANGYONG	72 e 73
SUBARU	73
SUZUKI	73 e 74
TEREX	74
TOYOTA	74 a 76
TROLLER	76
VALMET	76
VOLKSWAGEN	76 a 86
VOLVO	86 a 88
WABCO	88

DESENHOS PASTILHAS	89 A 157
TABELA DE LONAS	158 A 160
CONVERSÃO PASTILHAS	161 e 167
CONVERSÃO SAPATAS COM LONA	168 e 169
DESENHOS SAPATAS COM LONA	170 a 177
CONVERSÃO LONAS LEVES	178
CONVERSÃO LONAS PESADAS	179 e 180
TABELA de REBITES	181

MARCA / MODELO	Ano	Dianteira	Sistema	Traseira	Sistema	Obs.:
----------------	-----	-----------	---------	----------	---------	-------

ACURA						
CL	97 / 99	PD/397	Akebono	PD/554		
INTEGRA	94 / 01	PD/782		PD/398	Akebono	
RSX	02 / 06			PD/554		
TL	97 / 98			PD/554		
TSX	04 / 06			PD/554		
VIGOR	94			PD/554		

AGRALE						
416	Todos			287		
420	Todos			287		
1.600 D	85 / 90	2042-A	Bendix	FD/71		
1.600 D	90 / 94	PD/102	Varga	FD/72	Bendix	
1.600 D 4x4	85 / 89	PD/19-C	Bendix	FD/71		
1.800 D	88 / 90	2042-A	Bendix	FD/71		
1.800 D	90 / 94	PD/102	Varga	FD/72	Bendix	
4,100	Todos			TR/315		
4,200	Todos			TR/316		
4,300	Todos			TR/316		
4.500 D	94 / 97	PD/102	Varga	FD/72	Bendix	
5.000 D	94 / 98	PD/102	Varga	FD/72	Bendix	
6,000	99 /	PD/102	Varga	FD/72	Bendix	
7.000 D	93 /	FD/77	Master	FD/77	Master	
7.500 TD	94 /	FD/77	Master	FD/77	Master	
8,500	97 /	FD/77	Master	FD/77	Master	
9,200	03 /	FD/59	Master	FD/59	Master	
13,000	07 /	FD/86	Master	FD/87	Master	
13.000 6x2	07 /	FD/86	Master	FD/87	Master	
FURGOVAN 6.000	99 /	PD/102	Varga	FD/72	Bendix	
FURGOVAN 8.000	00 /	FD/77	Master	FD/77	Master	
MA 6.0 CHASSIS CARRO FORTE		PD/102	Varga	FD/72	Bosch	
MA 7.0	00 /	FD/77	Master	FD/77	Master	Ônibus
MA 7.5	00 /	FD/77	Master	FD/77	Master	Ônibus
MA 7.9 E-TRONIC	06 /	FD/77	Master	FD/77	Master	Ônibus
MA 8.5 TCE	00 /	FD/77	Master	FD/77	Master	Ônibus
MA 8.5 TCA	02 /	FD/59	Master	FD/59	Master	Ônibus
MA 8.5 SUPER	02 /	FD/59	Master	FD/59	Master	Ônibus
MA 8.5 SUPER E	02 /	FD/59	Master	FD/59	Master	Ônibus
MA 9.2	03 /	FD/59	Master	FD/59	Master	Ônibus
MA 12.0	01 /	FD/88	Master	FD/88	Master	Ônibus
MARRUA AM 20	08 /	PD/332	Bosch	FD/78	Bosch	
MARRUA AM 50 / AM 50 L	08 /	PD/332	Bosch	FD/78	Bosch	
MARRUA AM 100 / AM 100 CC	08 /	PD/332	Bosch	FD/78	Bosch	
MARRUA AM 100 CD / AM 100 CD CC	08 /	PD/332	Bosch	FD/78	Bosch	
MARRUA AM 150 / AM 150 CC	08 /	PD/332	Bosch	FD/78	Bosch	
MARRUA AM 150 CD / AM 150 CD CC	08 /	PD/332	Bosch	FD/78	Bosch	
MARRUA AM 200 / AM 200 CC	08 /	PD/332	Bosch	FD/78	Bosch	
MARRUA AM 200 CD / AM 200 CD CC	08 /	PD/332	Bosch	FD/78	Bosch	
MT 12.0	01 /	FD/88	Master	FD/88	Master	Ônibus
TX-1.100	81 / 82	2006-T	Bendix	2080-T	Bendix	
TX-1.200	83 / 84	2006-T	Bendix	2080-T	Bendix	
TX-1.600	85 / 90	2042-A	Bendix	FD/71		

MARCA / MODELO	Ano	Dianteira	Sistema	Traseira	Sistema	Obs.:
----------------	-----	-----------	---------	----------	---------	-------

ALFA ROMEO						
145 1.4	94 / 97	PD/335-A	Girling	PD/430	Girling	
145 1.4 TS 16V	97 /			PD/439	Girling	
145 1.6	94 / 97	PD/335-A	Girling	PD/430	Girling	
145 1.6	97 /			PD/439	Girling	
145 1.6 TS 16V	97 /			PD/439	Girling	
145 1.7 16V	94 / 97	PD/335-A	Girling	PD/430	Girling	
145 1.8 16V	97 /			PD/439	Girling	
145 1.9 Turbo Diesel	94 / 97	PD/335-A	Girling	PD/430	Girling	
145 2.0 16V Quadrifoglio	10-96 /	PD/66-A	Teves	PD/439	Girling	
146 1.4	94 / 95	PD/335-A	Girling	PD/430	Girling	
146 1.6	94 / 97	PD/335-A	Girling	PD/430	Girling	
146 1.7	94 / 97	PD/335-A	Girling	PD/430	Girling	
146 1.8i 16V	06-97 /			PD/439	Girling	
146 1.9 Turbo Diesel	94 / 97	PD/335-A	Girling	PD/430	Girling	
146 2.0i 16V Twin Spark	06-97 /	PD/66-A	Teves	PD/439	Girling	
155 1.8 Twin Spark	92 / 96	PD/335-A	Girling	PD/430	Girling	
155 2.0 Twin Spark	92 / 96	PD/335-A	Girling	PD/430	Girling	
155 2.0 TS 16V Turbo Q4	92 / 97			PD/439	Girling	
156 2.0 TS 16V	09-97 / 08-05	PD/66-A	Teves			
156 2.4 JTD	09-97 / 08-05	PD/66-A	Teves			
156 2.5 i V6	09-97 / 08-05	PD/66-A	Teves			
156 2.5 i V6	03 /	PD/66-A	Teves			
164 3.0 V6 12V	90 / 97	PD/483-A	Girling	PD/334	Girling	
164 3.0 V6 24V	95 / 97	PD/483-A	Girling	PD/334	Girling	
2,150	70 / 73	PD/9	Varga			
2,300	74 / 78	PD/1	Teves	PD/5	Teves	
GTV 2.0 Twin Spark	95 / 00	PD/484-A	Girling			
TI-4	77 / 86	PD/1	Teves	PD/5	Teves	

AM GENERAL						
HUMMER H2	03 / 04	PD/571		PD/572		

ANTONINI						
CARRETA	98 /			CA/32	Master	

ASIA MOTORS						
TOPIC FULL	93 /	PD/331	Akebono	KI/133-CP		
TOPIC STD	93 /	PD/331	Akebono	KI/133-CP		
TOPIC VAN	93 /	PD/331	Akebono	KI/133-CP		
TOWNER COACH	93 /	PD/330	Akebono	AM/323-CP		
TOWNER FULL	93 /	PD/330	Akebono	AM/323-CP		
TOWNER 1.0	09 /	PD/1330				
TOWNER VAN	93 /	PD/330	Akebono	AM/323-CP		

AUDI						
A3 1.6	96 / 98	PD/367	Bosch	PD/334	Girling	Importado
A3 1.6	99 / 03-02	PD/58 PD/58-B	Teves	PD/362	Girling	
A3 1.6	04-02 /	PD/73 PD/73-B	Teves	PD/362	Girling	

MARCA / MODELO	Ano	Dianteira	Sistema	Traseira	Sistema	Obs.:
----------------	-----	-----------	---------	----------	---------	-------

AUDI (continuação)						
A3 1.6i	03-03 /	PD/1000-B	Teves			
A3 1.6 FSi	03-03 /	PD/1000-B	Teves			
A3 1.8	96 / 98	PD/367	Bosch	PD/334	Girling	Importado
A3 1.8	99 / 03-02	PD/58 PD/58-B	Teves	PD/362	Girling	
A3 1.8	04-02 /	PD/73 PD/73-B	Teves	PD/362	Girling	
A3 1.8 T	96 /	PD/384	Teves	PD/362	Girling	
A3 1.8 TFSi	03-03 /	PD/1000-B	Teves			
A3 1.8 20V T	08-96/	PD/340-B	Teves	PD/362	Girling	
A3 CONVERSIVEL 1.8 TFSi	04-08 /	PD/1000-B	Teves	PD/1030	Lucas	
A3 QUATRO 1.8i T	98 /	PD/340-B	Teves	PD/362	Girling	
A3 QUATRO S3 1.8i	03-99 /	PD/340-B	Teves	PD/362	Girling	
A3 1.9 TDi	03-03 /	PD/1000-B	Teves			
A3 2.0 TDi	03-03 /	PD/1000-B	Teves	PD/1030	Lucas	
A3 2.0 TDi QUATRO	03-03 /	PD/1000-B	Teves	PD/1030	Lucas	
A3 2.0 FSi	03-03 /	PD/1000-B	Teves	PD/1030	Lucas	
A3 2.0 FSi QUATRO	03-03 /	PD/1000-B	Teves	PD/1030	Lucas	
A3 3.2i V6 QUATRO	03-03 /			PD/1030	Lucas	
A3 SPORTBACK 1.6i	03-03 /	PD/1000-B	Teves			
A3 SPORTBACK 1.6 FSi	03-03 /	PD/1000-B	Teves			
A3 SPORTBACK 1.8 TFSi	03-03 /	PD/1000-B	Teves			
A3 SPORTBACK 1.9 TDi	03-03 /	PD/1000-B	Teves			
A3 SPORTBACK 2.0 TDi	03-03 /	PD/1000-B	Teves	PD/1030	Lucas	
A3 SPORTBACK 2.0 TDi QUATRO	03-03 /	PD/1000-B	Teves	PD/1030	Lucas	
A3 SPORTBACK 2.0 FSi	03-03 /	PD/1000-B	Teves	PD/1030	Lucas	
A3 SPORTBACK 2.0 FSi QUATRO	03-03 /	PD/1000-B	Teves	PD/1030	Lucas	
A3 SPORTBACK 3.2i V6 QUATRO	03-03 /			PD/1030	Lucas	
A3 S3 QUATRO	11-06 /			PD/1030	Lucas	
A3 SPORTBACK S3 QUATRO	11-06 /			PD/1030	Lucas	
A3 QUATRO	09 /	PD/1000-B	Teves	PD/1030	Lucas	
A4	05 / 06			PD/592-B		
A4	09 /			PD/1030	Lucas	
A4 1.6 (8E2, B6)	11-00 /	PD/525-A	Teves	PD/362	Girling	
A4 1.8	94 /	PD/336	Girling	PD/334	Girling	
A4 1.8T CONVERSIVEL	07-02 /	PD/525-A	Teves	PD/362	Girling	
A4 1.8T (8E2, B6)	11-00 /	PD/525-A	Teves	PD/362	Girling	
A4 1.8T (B5/8D)	11-94 / 09-01	PD/525-A	Teves	PD/362	Girling	
A4 1.8T CONVERSIVEL	05-03 /	PD/525-A	Teves	PD/362	Girling	
A4 1.8T QUATRO (8E2, B6)	11-00 /	PD/525-A	Teves	PD/362	Girling	
A4 1.8T QUATRO (B5/8D)	11-94 / 09-01	PD/525-A	Teves	PD/362	Girling	
A4 1.8iT	11-04 / 10-07			PD/1030	Lucas	
A4 1.8iT QUATRO	11-04 / 10-07			PD/1030	Lucas	
A4 1.9 TDi (8E2, B6)	11-00 /	PD/525-A	Teves	PD/362	Girling	
A4 1.9 TDi (B5/8D)	11-94 / 09-01	PD/525-A	Teves	PD/362	Girling	
A4 1.9 TDi QUATRO (8E2, B6)	11-00 /	PD/525-A	Teves	PD/362	Girling	
A4 1.9 TDi QUATRO (B5/8D)	11-94 / 09-01	PD/525-A	Teves	PD/362	Girling	
A4 2.0 (8E2, B6)	11-00 /	PD/525-A	Teves	PD/362	Girling	
A4 2.0 FSi (8E2, B6)	07-02 /	PD/525-A	Teves	PD/362	Girling	
A4 2.0i	11-04 / 10-07			PD/1030	Lucas	
A4 2.0 TDi	11-04 / 10-07			PD/1030	Lucas	

MARCA / MODELO	Ano	Dianteira	Sistema	Traseira	Sistema	Obs.:
----------------	-----	-----------	---------	----------	---------	-------

AUDI (continuação)						
A4 2.0 TFSi	11-04 / 10-07			PD/1030	Lucas	
A4 2.0 TFSi QUATTRO	11-04 / 10-07			PD/1030	Lucas	
A4 2.4 (8E2, B6)	09-01 /	PD/525-A	Teves	PD/362	Girling	
A4 2.4 (B5/8D)	11-94 / 09-01	PD/525-A	Teves	PD/362	Girling	
A4 2.4 30V	97 /	PD/384-A	Teves	PD/362	Girling	
A4 2.4 CONVERSÍVEL	04-02 /	PD/525-A	Teves	PD/362	Girling	
A4 2.4 QUATTRO (B5/8D)	11-94 / 09-01	PD/525-A	Teves	PD/362	Girling	
A4 2.5 TDI (B5/8D)	11-94 / 09-01	PD/525-A	Teves	PD/362	Girling	
A4 2.5 TDI (8E2, B6)	11-00 /	PD/525-A	Teves	PD/362	Girling	
A4 2.5 TDI	11-04 / 10-07			PD/1030	Lucas	
A4 2.5 TDI CONVERSÍVEL	08-02 /	PD/525-A	Teves	PD/362	Girling	
A4 2.5 TDI QUATTRO (8E2, B6)	11-00 /	PD/525-A	Teves	PD/362	Girling	
A4 2.5 TDI QUATTRO (B5/8D)	11-94 / 09-01	PD/525-A	Teves	PD/362	Girling	
A4 2.6 (B5/8D)	11-94 / 09-01	PD/525-A	Teves	PD/362	Girling	
A4 2.6 QUATTRO (B5/8D)	11-94 / 09-01	PD/525-A	Teves	PD/362	Girling	
A4 2.7 TDi	11-04 / 10-07			PD/1030	Lucas	
A4 2.8	94 /	PD/384-A	Teves	PD/334	Girling	Importado
A4 2.8 (B5/8D)	11-94 / 09-01	PD/525-A	Teves	PD/362	Girling	
A4 2.8 QUATTRO (B5/8D)	11-94 / 09-01	PD/525-A	Teves	PD/362	Girling	
A4 3.0 (8E2, B6)	11-00 /	PD/525-A	Teves	PD/362	Girling	
A4 3.0 TDi	11-04 / 10-07			PD/1030	Lucas	
A4 3.0 CONVERSÍVEL	04-02 /	PD/525-A	Teves	PD/362	Girling	
A4 3.0 QUATTRO CONVERSÍVEL	05-03 /	PD/525-A	Teves	PD/362	Girling	
A4 3.0 QUATTRO (8E2, B6)	11-00 /	PD/525-A	Teves	PD/362	Girling	
A4 QUATTRO	05 / 06			PD/592-B		
A4 QUATTRO	07 /			PD/1030	Lucas	
A4 AVANT 2.0 TFSi	11-04 / 10-07			PD/1030	Lucas	
A4 AVANT 2.0 TFSi QUATTRO	11-04 / 10-07			PD/1030	Lucas	
A4 AVANT 2.5 TDi	11-04 / 10-07			PD/1030	Lucas	
A4 AVANT 2.7 TDi	11-04 / 10-07			PD/1030	Lucas	
A4 AVANT 3.0 TDi	11-04 / 10-07			PD/1030	Lucas	
A4 AVANT 2.0 TDi	11-04 / 10-07			PD/1030	Lucas	
A4 AVANT 2.0i	11-04 / 10-07			PD/1030	Lucas	
A4 AVANT 1.8i T	11-04 / 10-07			PD/1030	Lucas	
A4 AVANT 1.8i T QUATTRO	11-04 / 10-07			PD/1030	Lucas	
A4 AVANT 2.0i	11-04 / 10-07			PD/1030	Lucas	
A6	05 / 06			PD/592-B		
A6	05 / 09			PD/1030	Lucas	
A6 1.8T	01-97 /	PD/525-A	Teves	PD/362	Girling	
A6 1.8T QUATTRO	01-97 /	PD/525-A	Teves	PD/362	Girling	
A6 1.9 TDI	01-97 /	PD/525-A	Teves	PD/362	Girling	
A6 2.0	08-01 /	PD/525-A	Teves	PD/362	Girling	
A6 2.0 TDi	05-04 /			PD/1030	Lucas	
A6 2.0 TFSi	05-04 /			PD/1030	Lucas	
A6 2.4	02-97 /	PD/525-A	Teves	PD/362	Girling	
A6 2.4i	05-04 /			PD/1030	Lucas	
A6 2.4 QUATTRO	02-97 /	PD/525-A	Teves	PD/362	Girling	
A6 2.4i QUATTRO	05-04 /			PD/1030	Lucas	
A6 2.5 TDI	02-97 /	PD/525-A	Teves	PD/362	Girling	
A6 2.5 TDI QUATTRO	07-97 /	PD/525-A	Teves	PD/362	Girling	
A6 2.7i QUATTRO	05-04 /			PD/1030	Lucas	

MARCA / MODELO	Ano	Dianteira	Sistema	Traseira	Sistema	Obs.:
----------------	-----	-----------	---------	----------	---------	-------

AUDI (continuação)						
A6 2.8	94 /	PD/384-A	Teves	PD/334	Girling	Importado
A6 2.8	02-97 /	PD/525-A	Teves	PD/362	Girling	
A6 2.8 FSi QUATTRO	05-04 /			PD/1030	Lucas	
A6 2.8 QUATTRO	02-97 /	PD/525-A	Teves	PD/362	Girling	
A6 3.0 TDi QUATTRO	05-04 /			PD/1030	Lucas	
A6 3.0i QUATTRO	05-04 /			PD/1030	Lucas	
A6 3.2 FS	05-04 /			PD/1030	Lucas	
A6 3.2 FSi	05-04 /			PD/1030	Lucas	
A6 ALLROAD 2.7 TDi QUATTRO	05-06 /			PD/1030	Lucas	
A6 ALLROAD 3.0 TDi QUATTRO	05-06 /			PD/1030	Lucas	
A6 ALLROAD 3.2 FSi QUATTRO	05-06 /			PD/1030	Lucas	
A6 ALLROAD 4.2 FSi QUATTRO	05-06 /			PD/1030	Lucas	
A6 AVANT 2.0 TDi	05-04 /			PD/1030	Lucas	
A6 AVANT 2.0 TFSi	05-04 /			PD/1030	Lucas	
A6 AVANT 2.4i	05-04 /			PD/1030	Lucas	
A6 AVANT 2.4i QUATTRO	05-04 /			PD/1030	Lucas	
A6 AVANT 2.7i QUATTRO	05-04 /			PD/1030	Lucas	
A6 AVANT 2.8 FSi QUATTRO	05-04 /			PD/1030	Lucas	
A6 AVANT 3.0 TDi QUATTRO	05-04 /			PD/1030	Lucas	
A6 AVANT 3.0i QUATTRO	05-04 /			PD/1030	Lucas	
A6 AVANT 3.2 FS	05-04 /			PD/1030	Lucas	
A6 AVANT 3.2 FSi	05-04 /			PD/1030	Lucas	
A6 QUATTRO	05 / 06			PD/592-B		
A6 QUATTRO	05 / 09			PD/1030	Lucas	
A8 QUATTRO	04 /			PD/592-B		
ALLROAD 3.2 FSi QUATTRO	05-06 /			PD/1030	Lucas	
ALLROAD 4.2 FSi QUATTRO	05-06 /			PD/1030	Lucas	
AUDI 80	94 / 99	PD/336	Girling	PD/334	Girling	
AUDI 100	93 / 95	PD/384-A	Teves	PD/334	Girling	Importado
RS 4	07 /			PD/592-B		
RS 5	07 /			PD/592-B		
RS 6	03 / 04			PD/592-B		
S 4	04 / 06			PD/592-B		
TT	09 / 10	PD/1000-B	Teves	PD/1030	Lucas	
TT 1.8i T ROADSTER	98 /	PD/340-B	Teves	PD/362	Girling	
TT 2.0 TFSi	01-06 /			PD/1030	Lucas	
TT 3.2 V6 QUATTRO	01-06 /			PD/1030	Lucas	
TT 2.0 TURBO	08 /			PD/1030	Lucas	
TT QUATTRO	10 /	PD/1000-B	Teves	PD/1030	Lucas	
TT QUATTRO S	09 /	PD/1000-B	Teves	PD/1030	Lucas	

BISELLI						
CARRETA	/ 78			4515		
CARRETA	78 /			CA/32	Master	

BMW						
SÉRIE 3 (E36)	91 / 99	PD/385	Teves	PD/488	Teves	
Z3 Roadster 1.9	96 /	PD/385	Teves	PD/488	Teves	
Z3 2.8	97 /	PD/385	Teves	PD/488	Teves	

MARCA / MODELO	Ano	Dianteira	Sistema	Traseira	Sistema	Obs.:
----------------	-----	-----------	---------	----------	---------	-------

CASE

PÁ CARREGADEIRA W-18	Todos	PD/29		PD/29		
PÁ CARREGADEIRA W-20 B	Todos	PD/29		PD/29		

CADILLAC

CATERA	97 / 01			PD/38	Teves	
CONCOURS	98 / 99	PD/502	Bendix			HD Brakes
DEVILLE	90 / 05	PD/502	Bendix			HD Brakes
DEVILLE	00 / 05	PD/571				
DTS	06 /	PD/571				Heavy Duty
ESCALADE	99 / 06	PD/502	Bendix			
ESCALADE	02	PD/572				
ESCALADE 4WD	03 / 06	PD/572				
ESCALADE RWD	03 / 06	PD/572				
FLEETWOOD	90 / 93	PD/502	Bendix			HD Brakes

CATERPILLAR

				TR/328		4D 5759
				TR/354		8B 831 8B 832
				4480		3J 2503 3J 2504
				TR/330-S/F		5H 6030
				TR/339		4S 5149
PÁ CARREGADEIRA 930		PD/29		PD/29		2V 9135
PÁ CARREGADEIRA 966		4601		4601		5K0664

CHANA

CARGO, UTILITY, FAMILY	06 /	PD/1330				
------------------------	------	---------	--	--	--	--

CHARGER

CARRETA	95 /			FD/81		
---------	------	--	--	-------	--	--

CHERY

QQ	11 /	PD/598	Akebono			
FACE 1.3 16V	10 /	PD/1330				
S-18 1.3 16V	12 /	PD/1330				
TIGGO 2.0 16V	10 /			PD/629		

CHRYSLER

300M	00 / 04	PD/510				
AVENGER	08 /	PD/631				
CARAVAN	96 / 00	PD/492	K. Hayes			
CARAVAN	01 / 06	PD/580				
CARAVAN	01 / 07	PD/581		PD/582		
CONCORDE	98 / 04	PD/510				
DAKOTA	00 / 02	PD/623		FD/137-CP		
DAKOTA 2.5 TD	99 /	PD/485	K. Hayes	FD/137-CP		
DAKOTA 3.9 V6	99 /	PD/485	K. Hayes	FD/137-CP		
DAKOTA 5.2 V8	00 /	PD/485	K. Hayes	FD/137-CP		

MARCA / MODELO	Ano	Dianteira	Sistema	Traseira	Sistema	Obs.:
----------------	-----	-----------	---------	----------	---------	-------

CHRYSLER (continuação)						
DODGE 1800	73 / 75	PD/10	Bendix	CB/42		
DODGE CHARGER	71 / 72	8032		8033		
DODGE CHARGER	72 / 75	PD/9	Varga	8033		
DODGE D-100	69 / 76	8032		8033		
DODGE D-400	69 / 77	2026-AT		2042-A	Bendix	
DODGE D-400	78 / 83	FD/73		FD/72	Bendix	
DODGE D-700	69 / 82	2060		4564-A		
DODGE D-750	69 / 82	2060		4564-A		
DODGE D-900	71 / 78	659-B		4514-F	Bendix	
DODGE D-950	75 / 83	659-B		4514-F	Bendix	
DODGE DART	69 / 71	8032		8033		
DODGE DART	72 / 81	PD/9	Varga	8033		
DODGE E-13	81 / 85	659-B		4514-F	Bendix	
DODGE E-21	81 / 85	659-B		4514-F	Bendix	
DODGE JOURNEY 2.0 CRD 16V	08 /	PD/1026	Bosch			
DODGE JOURNEY 2.7 V6	08 /	PD/1026	Bosch	PD/300	TRW	
DODGE JOURNEY 2.4	08 /	PD/1026	Bosch			
DODGE LE BARON	79 / 81	PD/9	Varga	8033		
DODGE MAGNUM	79 / 81	PD/9	Varga	8033		
DODGE P-400	69 / 77	2026-AT		2042-A	Bendix	
DODGE P-700	69 / 82	2060		4564-A		
DODGE P-900	71 / 78	659-B		4514-F	Bendix	
DODGE POLARA	75 / 81	PD/10	Bendix	CB/42		
DODGE RAM 1500	94 / 97	PD/502	Bendix			
DODGE RAM 1500	03 / 08	PD/637				
DODGE RAM 1500	03 / 04	PD/758				
DODGE RAM 2500	94 / 99	PD/548	Bendix			
DODGE RAM 2500	94 / 99	PD/551	Bendix			
DODGE RAM 2500	03 / 08	PD/637				
DODGE RAM 3500	94 / 99	PD/551	Bendix			
DODGE RAM 3500	03 / 08	PD/637				
DODGE RT	72 / 81	PD/9	Varga	8033		
DODGE SE	72 / 75	8032		8033		
DURANGO	00 / 02	PD/623		FD/137-CP		
DURANGO	03 / 04	PD/758				
GRAND CARAVAN	96 / 00	PD/492	K. Hayes			
GRAND CARAVAN	01 / 06	PD/580				
GRAND CARAVAN	01 / 07	PD/581		PD/582		
INTREPID	98 / 04	PD/510				
LHS	98 / 02	PD/510				
NEON	99 / 05	PD/510				
NEON 1.8 16V (aro 14")	95 / 98	PD/492	K. Hayes	PD/392	K. Hayes	Aro 14"
NEON 2.0 16V (aro 14")	95 / 98	PD/492	K. Hayes	PD/392	K. Hayes	Aro 14"
NEON SRT-4	03 / 05	PD/531	Teves			
PT CRUISER	01 /	PD/531	Teves			
PT CRUISER GT	06 /	PD/531	Teves			
PT CRUISER TURBO	03 / 04	PD/531	Teves			
SEBRING	03 / 05	PD/631				
SRT-4	03	PD/510				
STRATUS	95 / 00	PD/135	K. Hayes	PD/392	K. Hayes	
STRATUS	00 /	PD/134		PD/392	K. Hayes	

MARCA / MODELO	Ano	Dianteira	Sistema	Traseira	Sistema	Obs.:
----------------	-----	-----------	---------	----------	---------	-------

CHRYSLER (continuação)

STRATUS CONVERSÍVEL	02	PD/134		PD/392	K. Hayes	
STRATUS COUPÉ	01 / 03	PD/631				
STRATUS R/T	04 / 05	PD/631				
TOWN & COUNTRY	01 / 06	PD/580				
TOWN & COUNTRY	01 / 07	PD/581		PD/582		
VOYAGER	01 / 03	PD/581		PD/582		
VOYAGER	01 / 03	PD/580				

CITROEN

AIRCROSS EXCLUSIVE 1.6 16V	10 /	PD/346	Girling			
AIRCROSS GL 1.6 16V	10 /	PD/346	Girling			
AIRCROSS GLX 1.6 16V	10 /	PD/346	Girling			
AX	90 / 97			PG/203-CP	Bendix	Freio traseiro Ø180x32mm
C4 PICASSO 2.0 i 16V, 2.0 HDi	02-07 /	PD/1000				
C4 PICASSO 2.0 HDi	07-09 /	PD/1000				
C4 GRAN PICASSO 2.0 i 16V, 2.0 HDi	10-06 /	PD/1000				
C4 GRAN PICASSO 2.0 HDi	07-09 /	PD/1000				
C4 1.6 THP, 2.0 HDi	11-09 /	PD/1000				
DS5 1.6 THP, 2.0 HDi, 2.0 HDi HYBRID4 4x4	11-11 /	PD/1000				
AX GTI 1.4	91 /			PG/203-CP	Bendix	Freio traseiro Ø180x32mm
BERLINGO 1.8	98 /	PD/411-E	Girling	PE/172-CPA	Girling	
C2 1.1	03 /	PD/648	Girling			
C2 1.4	03 /	PD/648	Girling			
C2 1.4 HDi	03 /	PD/648	Girling			
C3 1.1i	02 /	PD/648	Girling	CI/321-CPA		Freio traseiro Ø203x39mm
C3 1.4	04-02 /	PD/514	Girling	CI/321-CPA		Freio traseiro Ø203x39mm
C3 1.4i	02 /	PD/648	Girling	CI/321-CPA		Freio traseiro Ø203x39mm
C3 1.4 HDi	02 /	PD/648	Girling	CI/321-CPA		Freio traseiro Ø203x39mm
C3 1.4 16V	12-03 /	PD/514	Girling			
C3 1.4 16V HDI	02-02 /	PD/514	Girling			
C3 1.6 16V	02-02 /	PD/514	Girling			
C4 GLX 1.6 16V	09 /	PD/505	Bosch			
C4	05 /	PD/353	Bosch	PD/362	Girling	
C4 PALLAS	05 /	PD/353	Bosch	PD/362	Girling	
C4 VTR	05 /	PD/353	Bosch	PD/362	Girling	
C5 1.8 16V	01 /	PD/649-E	Bosch	PD/651	Citroen	
C5 2.0 16V	01 /	PD/649-E	Bosch	PD/651	Citroen	
C5 2.0 16V HPi	01 /	PD/649-E	Bosch	PD/651	Citroen	
C5 2.0 HDi	01 /	PD/649-E	Bosch	PD/651	Citroen	
C5 2.2 HDi	01 /	PD/650-E	Bosch	PD/651	Citroen	
C5 3.0 V6	01 /	PD/650-E	Bosch	PD/651	Citroen	
C5 Break 1.8 16V	01 /	PD/649-E	Bosch	PD/651	Citroen	
C5 Break 2.0 16V	01 /	PD/649-E	Bosch	PD/651	Citroen	
C5 Break 2.0 16V HPi	01 /	PD/649-E	Bosch	PD/651	Citroen	

MARCA / MODELO	Ano	Dianteira	Sistema	Traseira	Sistema	Obs.:
----------------	-----	-----------	---------	----------	---------	-------

CITROEN (continuação)						
C5 Break 2.0 HDi	01 /	PD/649-E	Bosch	PD/651	Citroen	
C5 Break 2.2 HDi	01 /	PD/650-E	Bosch	PD/651	Citroen	
C5 Break 3.0 V6	01 /	PD/650-E	Bosch	PD/651	Citroen	
JUMPER 1.9 D / TD	94 / 02	PD/358 PD/358-A	Girling	FI/170-CPA	Girling	Aro 15"
JUMPER 2.0 i	94 / 02	PD/358 PD/358-A	Girling	FI/170-CPA	Girling	Aro 15"
JUMPER 2.0 i	94 / 02	PD/422 PD/422-A	Girling	FI/199-CPA	Girling	Aro 16"
JUMPER 2.5 Dti	96 / 02	PD/422 PD/422-A	Girling	FI/199-CPA	Girling	Aro 16"
JUMPER 2.5 D / TD	94 / 02	PD/358 PD/358-A	Girling	FI/170-CPA	Girling	Aro 15"
JUMPER 2.5 D / TD	94 / 02	PD/422 PD/422-A	Girling	FI/199-CPA	Girling	Aro 16"
JUMPER 2.8 Dhi	96 / 02	PD/422 PD/422-A	Girling	FI/199-CPA	Girling	Aro 16"
JUMPER SERIE 27	09-01 / 04	PD/498-A	Bosch	PD/501	Bosch	Freio de mão FI/196-CP
JUMPER SERIE 27	05 /	PD/498-A	Bosch	PD/501	Bosch	Freio de mão FI/322-CP
JUMPER SERIE 29	04-02 / 04	PD/498-A	Bosch	PD/501	Bosch	Freio de mão FI/196-CP
JUMPER SERIE 29	05 /	PD/498-A	Bosch	PD/501	Bosch	Freio de mão FI/322-CP
JUMPER SERIE 31	09-01 / 04	PD/498-A	Bosch	PD/501	Bosch	Freio de mão FI/196-CP
JUMPER SERIE 31	05 /	PD/498-A	Bosch	PD/501	Bosch	Freio de mão FI/322-CP
JUMPER SERIE 33	04-02 / 04	PD/498-A	Bosch	PD/501	Bosch	Freio de mão FI/196-CP
JUMPER SERIE 33	05 /	PD/498-A	Bosch	PD/501	Bosch	Freio de mão FI/322-CP
JUMPER SERIE 35 - 2.8 HDi	01 / 04	PD/652-B	Bosch	PD/501	Bosch	Freio de mão FI/196-CP
JUMPER SERIE 35 - 2.8 HDi	05 /	PD/652-B	Bosch	PD/501	Bosch	Freio de mão FI/322-CP
JUMPER 30 2.2	06 /	PD/1099-B	Brembo			
JUMPER 30 3.0 HDI	06 /	PD/1099-B	Brembo			
JUMPER 33 2.2	06 /	PD/1099-B	Brembo			
JUMPER 33 3.0 HDI	06 /	PD/1099-B	Brembo			
XANTIA 2.0	98 /			PD/490	Citroen	
XANTIA 2.0 Turbo	93 /			PD/490	Citroen	
XANTIA ACTIVA 2.0	93 / 98			PD/490	Citroen	
XANTIA ACTIVA 2.0 Turbo	95 / 98			PD/490	Citroen	
XANTIA ACTIVA 3.0 V6 24V	96 /			PD/490	Citroen	
XANTIA BREAK GLX 2.0 16V	93 /			PD/490	Citroen	
XANTIA EXCLUSIVE 2.0 16V	93 /			PD/490	Citroen	
XANTIA SX 1.8 16V	95 / 98			PD/490	Citroen	
XANTIA VSX 2.0	93 /			PD/490	Citroen	
XANTIA VSX 2.0 16V	93 /			PD/490	Citroen	

MARCA / MODELO	Ano	Dianteira	Sistema	Traseira	Sistema	Obs.:
----------------	-----	-----------	---------	----------	---------	-------

CITROEN (continuação)

XM EXCLUSIVE	91 /			PD/490	Citroen	
XM SENSATION	91 /			PD/490	Citroen	
XSARA 1.8	97 / 00			PG/204-CPA	Girling	Freio traseiro Ø180x32mm
XSARA 1.6	97 /	PD/364-A PD/411-E	Teves Girling			
XSARA 1.6 16V	09-00 /	PD/505	Bosch			
XSARA 2.0	00 /	PD/405-E	Girling			
XSARA BREAK 1.6 16V	97 /	PD/411-E	Bendix			
XSARA BREAK 1.6 16V	09-00 /	PD/505	Bosch			
XSARA BREAK 1.8 16V	97 /	PD/411-E	Bendix	PD/465	Bendix	
XSARA BREAK 2.0 HDI	09-00 /	PD/505	Bosch			
XSARA COUPÉ 1.6 16V	09-00 /	PD/505	Bosch			
XSARA EXCLUSIVE 1.8 16V	97 /	PD/411-E	Bendix	PD/465	Bendix	
XSARA EXCLUSIVE 2.0 16V	97 /	PD/411-E	Girling	PD/465	Bendix	
XSARA GLX 1.6 16V	97 /	PD/364-A PD/411-E	Teves Girling			
XSARA GLX 1.8 16V	97 /	PD/364-A PD/411-E	Teves Girling	PD/465	Bendix	
XSARA GLX 2.0 16V	97 /	PD/364-A PD/411-E	Teves Girling	PD/465	Bendix	
XSARA PICASSO EXCLUSIVE 2.0 16V	01 /	PD/411	Girling	PE/172-CPA	Girling	
XSARA PICASSO GLX 2.0 16V	01 /	PD/411	Girling	PE/172-CPA	Girling	
XSARA SX 2.0i 16V	00 /	PD/405-E	Girling			
XSARA VTS 1.8 16V	98 /	PD/411-E	Girling	PD/465	Bendix	
XSARA VTS 2.0 16V	98 /			PD/465	Bendix	
ZX 1.4	91 / 98			PG/208-CPA	Girling	Freio traseiro Ø180x32mm
ZX 1.9	91 / 98			PG/204-CPA	Girling	Freio traseiro Ø180x32mm
ZX FURIO	91 / 98			PG/204-CPA	Girling	Freio traseiro Ø180x32mm
ZX 1.6	91 / 97	PD/521-E	Girling	PD/465	Bendix	
ZX 1.8	91 / 97	PD/521-E	Girling	PD/465	Bendix	
ZX 2.0i	91 / 97	PD/521-E	Girling	PD/465	Bendix	
ZX 2.0i 16V	91 / 97	PD/326-A	Girling	PD/465	Bendix	
ZX BREAK 1.6	93 / 97	PD/521-E	Girling	PD/465	Bendix	
ZX BREAK 1.8	93 / 97	PD/521-E	Girling	PD/465	Bendix	
ZX VOLCANE	91 / 98	PD/521-E	Girling	PD/465	Bendix	

CLARK

45-C				PD/29		947932
55-C				PD/29		947932
85-3A				PD/29		947932
125-A				PD/29		947932
125-C				PD/29		947932
EMPILHADEIRA C-300	/ 87			PD/8	Varga	
EMPILHADEIRA C-300	87 /			PD/13	Teves	
EMPILHADEIRA Y-40	/ 87			PD/8	Varga	
EMPILHADEIRA Y-40	87 /			PD/13	Teves	
EMPILHADEIRA Y-50	/ 87			PD/8	Varga	

MARCA / MODELO	Ano	Dianteira	Sistema	Traseira	Sistema	Obs.:
----------------	-----	-----------	---------	----------	---------	-------

CLARK (continuação)

EMPILHADEIRA Y-50	87 /			PD/13	Teves	
EMPILHADEIRA Y-60	/ 87			PD/8	Varga	
EMPILHADEIRA Y-60	87 /			PD/13	Teves	
MICHIGAN 75				TR/348		118 255
MICHIGAN 75				TR/368		118 268
MICHIGAN 80				TR/348		118 255
MICHIGAN 80				TR/368		118 268

CONTIN

3° EIXO	Todos			4524-B	Master	
CARRETA	/ 78			4515-C		
CARRETA	78 /			CA/32	Master	

CUMMINS

RC-210	73 / 76	4524-B	Master	4515-C		
RCA-210	73 / 76	4524-B	Master	4515-C		
RL-413	70 / 72	4524-B	Master	4515-C		
RSL-413	70 / 72	4524-B	Master	4515-C		
U-413	70 / 72	4524-B	Master	4515-C		
UC-210	73 / 76	4524-B	Master	4515-C		
UCE-210	73 / 76	4524-B	Master	4515-C		
UCL-210	73 / 76	4524-B	Master	4515-C		
URL-413	70 / 72	4524-B	Master	4515-C		

DAEWOO

CIELO 1.5	93 /	PD/424	GM			
CIELO 1.5 GL	96 /	PD/475	Akebono			
CIELO 1.5 GLE	96 /	PD/475	Akebono			
CIELO 1.5 GLX	96 /	PD/475	Akebono			
CIELO 1.5 GTX	96 /	PD/475	Akebono			
ESPERO 1.5	90 / 94	PD/424	GM			
ESPERO 1.5	90 / 94	PD/431	GM			
ESPERO 1.5i 16V	94 / 96	PD/37	Teves			
ESPERO 1.5i 16V	97 /	PD/475	Akebono			
ESPERO 1.8 CD	96 /	PD/475	Akebono	CB/58-CPA		Freio traseiro Ø200x46mm
ESPERO 1.8i	94 / 96	PD/37	Teves	CB/58-CPA		Freio traseiro Ø200x46mm
ESPERO 2.0	90 / 94	PD/424	GM	CB/58-CPA		Freio traseiro Ø200x46mm
ESPERO 2.0	90 / 94	PD/431	GM	CB/58-CPA		Freio traseiro Ø200x46mm
ESPERO 2.0 CD	96 /	PD/475	Akebono	CB/58-CPA		Freio traseiro Ø200x46mm
ESPERO 2.0i	94 / 96	PD/37	Teves	CB/58-CPA		Freio traseiro Ø200x46mm
HEAVEN	94 / 97	PD/431	GM			
LANOS 1.3	/ 97	PD/37	Teves	CB/58-CPA		Freio traseiro Ø200x46mm

MARCA / MODELO	Ano	Dianteira	Sistema	Traseira	Sistema	Obs.:
DAEWOO (continuação)						
LANOS 1.3	/ 97	PD/42	Teves	CB/58-CPA		Freio traseiro Ø200x46mm
LANOS 1.4 SE	/ 97	PD/37	Teves	CB/58-CPA		Freio traseiro Ø200x46mm
LANOS 1.4 SE	/ 97	PD/42	Teves	CB/58-CPA		Freio traseiro Ø200x46mm
LANOS 1.4 SE	97 /	PD/475	Akebono	CB/58-CPA		Freio traseiro Ø200x46mm
LANOS 1.5 SE	/ 97	PD/37	Teves	CB/58-CPA		Freio traseiro Ø200x46mm
LANOS 1.5 SE	/ 97	PD/42	Teves	CB/58-CPA		Freio traseiro Ø200x46mm
LANOS 1.5 SE	97 /	PD/475	Akebono	CB/58-CPA		Freio traseiro Ø200x46mm
LANOS 1.5 SX	97 /	PD/475	Akebono	CB/58-CPA		Freio traseiro Ø200x46mm
LANOS 1.6 16V	/ 97	PD/37	Teves	CB/58-CPA		Freio traseiro Ø200x46mm
LANOS 1.6 16V	/ 97	PD/42	Teves	CB/58-CPA		Freio traseiro Ø200x46mm
LANOS 1.6 SX 16V	97 /	PD/475	Akebono	CB/58-CPA		Freio traseiro Ø200x46mm
LEGANZA 1.8	98 /	PD/475	Akebono			
LEGANZA 2.0	98 /	PD/475	Akebono			
LEGANZA 2.2 CDX	98 /	PD/475	Akebono			
LEGANZA 2.2 SX	98 /	PD/475	Akebono			
LEGANZA KLAV 2.2i 16V CDX	06-97 / 12-02	PD/817	Akebono			
MATIZ 0.8	09-98 /	PD/598	Akebono			
MATIZ 1.0	01-03 /	PD/598	Akebono			
NEXIA 1.5 GL	97 /	PD/475	Akebono			
NEXIA 1.5 GL	95 / 97	PD/37	Teves			
NEXIA 1.5 GL	95 / 97	PD/42	Teves			
NEXIA 1.5 GL	95 / 97	PD/424	GM			
NEXIA 1.5i 16V GLX	95 / 97	PD/37	Teves			
NEXIA 1.5i 16V GLX	95 / 97	PD/42	Teves			
NEXIA 1.5i 16V GLX	95 / 97	PD/424	GM			
NEXIA 1.5i 16V GTX	95 / 97	PD/37	Teves			
NEXIA 1.5i 16V GTX	95 / 97	PD/42	Teves			
NEXIA 1.5i 16V GTX	95 / 97	PD/424	GM			
NUBIRA 1.6 SE	97 /	PD/475	Akebono			
NUBIRA 1.6 SX	97 /	PD/475	Akebono			
NUBIRA 2.0 CDX	97 /	PD/475	Akebono			
NUBIRA WAGON 1.6 16V	05-97 /			PD/681	Sumitomo	
NUBIRA WAGON 1.6	07-03 /			PD/681	Sumitomo	
NUBIRA WAGON 1.8	07-03 /			PD/681	Sumitomo	
PRINCE 2.0	92 /	PD/431	GM			
RACER GTi	90 / 94	PD/424	GM			
RACER GTi	90 / 94	PD/431	GM			

MARCA / MODELO	Ano	Dianteira	Sistema	Traseira	Sistema	Obs.:
----------------	-----	-----------	---------	----------	---------	-------

DRESSER

130 M 165 SSA		TR/328		TR/328		
140 S 225 SSA		TR/328		TR/328		
165 S		TR/328		TR/328		
660 M				659-B		
MOTONIVELADORA 225-SSA				PD/29		

EFFA

M-100 1.0 8V	07 /	PD/1330				
--------------	------	---------	--	--	--	--

ENGESA-FNV (Fruehauf)

CARRETA	/ 80			4515-C		
CARRETA	80 /			4515-C CA/32	- Master	

FACHINI

CARRETA	/ 99			CA/32	Master	
CARRETA	00 /			CA/33	Master	

FIAT

500 LOUNGE 1.4 16V DUALOGIC	09 /	PD/509-B	Bosch			
500 LOUNGE 1.4 16V MECANICO	09 /	PD/509-B	Bosch			
500 SPORT 1.4 16V DUALOGIC	09 /	PD/509-B	Bosch			
500 SPORT 1.4 16V MECANICO	09 /	PD/509-B	Bosch			
500 SPORT AIR 1.4 16V AUTOMATICO	11 /	PD/88	Bosch			
500 LOUNGE AIR 1.4 16V AUTOMATICO	11 /	PD/88	Bosch			
BARCETTA 1.8 16V	07-97 /			PD/439	Girling	
BARCETTA 1.8 16V CABRIO	95 /	PD/484-A	Girling	PD/439	Girling	
BRAVA ELX 1.6 16V	99 /	PD/403-B	Teves	FI/91-S/F FI/91-CP FI/127-CPA	Bosch Bosch Lockheed	
BRAVA HGT 1.8 16V	96 /	PD/403-B	Teves	FI/91-S/F FI/91-CP FI/127-CPA	Bosch Bosch Lockheed	
BRAVA SX 1.6 16V	99 /	PD/403-B	Teves	FI/91-S/F FI/91-CP FI/127-CPA	Bosch Bosch Lockheed	
BRAVO 2.0 155 20V HGT	97 /			PD/439	Girling	
COUPÉ 1.8 16V	95 / 97			PD/439	Girling	
COUPÉ 2.0i 16V	95 / 97	PD/484-A	Girling	PD/439	Girling	
COUPÉ 2.0i Turbo	95 / 97	PD/484-A	Girling	PD/439	Girling	
DOBLO 1.3 16V CARGO	01 / 06-09	PD/494	Teves	FI/136-CP		
DOBLO 1.3 16V EX PASSAGEIRO	01 / 06-09	PD/494	Teves	FI/136-CP		
DOBLO 1.6 16V CARGO	01 / 06-09	PD/494	Teves	FI/136-CP		
DOBLO 1.6 16V ELX PASSAGEIRO	01 / 06-09	PD/494	Teves	FI/136-CP		
DOBLO 1.8 ADVENTURE	06-02 / 03-10	PD/78-A	Teves	FI/136-CP		
DOBLO 1.8 ADVENTURE	04-10 /	PD/92	Teves	FI/136-CP		
DOBLO 1.8 CARGO	01 / 06-09	PD/494	Teves	FI/136-CP		
DOBLO 1.8 PASSAGEIRO	01 / 06-09	PD/494	Teves	FI/136-CP		
DOBLO 1.3 16V CARGO	07-09 /	PD/88	Teves	FI/136-CP		
DOBLO 1.3 16V EX PASSAGEIRO	07-09 /	PD/88	Teves	FI/136-CP		
DOBLO 1.6 16V CARGO	07-09 /	PD/88	Teves	FI/136-CP		
DOBLO 1.6 16V ELX PASSAGEIRO	07-09 /	PD/88	Teves	FI/136-CP		

MARCA / MODELO	Ano	Dianteira	Sistema	Traseira	Sistema	Obs.:
----------------	-----	-----------	---------	----------	---------	-------

FIAT (continuação)						
DOBLO 1.8 CARGO	07-09 /	PD/88	Teves	FI/136-CP		
DOBLO 1.8 PASSAGEIRO	07-09 /	PD/88	Teves	FI/136-CP		
DUCATO 2.5 8	97 / 99	PD/358 PD/358-A	Girling	FI/170-CPA	Girling	Aro 15"
DUCATO 2.5 10	97 / 99	PD/358 PD/358-A	Girling	FI/170-CPA	Girling	Aro 15"
DUCATO 2.8 15 MAXI	97 / 99	PD/422 PD/422-A	Girling	FI/199-CPA	Girling	Aro 16"
DUCATO 2.8 T 15 MAXI	97 / 99	PD/422 PD/422-A	Girling	FI/199-CPA	Girling	Aro 16"
DUCATO 2.5 8	00 /	PD/369-B	Girling	FI/170-CPA	Girling	Aro 15"
DUCATO 2.5 10	00 /	PD/369-B	Girling	FI/170-CPA	Girling	Aro 15"
DUCATO 2.8 15 MAXI	00 /	PD/438-B	Girling	FI/199-CPA	Girling	Aro 16"
DUCATO 2.8 T 15 MAXI	00 /	PD/438-B	Girling	FI/199-CPA	Girling	Aro 16"
DUCATO 100 2.2	06 /	PD/1099-B	Brembo			
DUCATO 120 2.3 MULTIJET	06 /	PD/1099-B	Brembo			
DUCATO 160 3.0 MULTIJET	06 /	PD/1099-B	Brembo			
DUCATO SERIE 10	09-01 / 04	PD/498-A	Bosch	PD/501	Bosch	Freio de mão FI/196-CP
DUCATO SERIE 10	05 /	PD/498-A	Bosch	PD/501	Bosch	Freio de mão FI/322-CP
DUCATO SERIE 11	04-02 / 04	PD/498-A	Bosch	PD/501	Bosch	Freio de mão FI/196-CP
DUCATO SERIE 11	05 /	PD/498-A	Bosch	PD/501	Bosch	Freio de mão FI/322-CP
DUCATO SERIE 14	09-01 / 04	PD/498-A	Bosch	PD/501	Bosch	Freio de mão FI/196-CP
DUCATO SERIE 14	05 /	PD/498-A	Bosch	PD/501	Bosch	Freio de mão FI/322-CP
DUCATO SERIE 15	04-02 / 04	PD/498-A	Bosch	PD/501	Bosch	Freio de mão FI/196-CP
DUCATO SERIE 15	05 /	PD/498-A	Bosch	PD/501	Bosch	Freio de mão FI/322-CP
DUCATO SERIE 18 - 2.3 JTD MAXI CARGO	01 / 04	PD/652-B	Bosch	PD/501	Bosch	Freio de mão FI/196-CP
DUCATO SERIE 18 - 2.3 JTD MAXI CARGO	05 /	PD/652-B	Bosch	PD/501	Bosch	Freio de mão FI/322-CP
DUCATO SERIE 18 - 2.8 JTD MAXI CARGO	01 / 04	PD/652-B	Bosch	PD/501	Bosch	Freio de mão FI/196-CP
DUCATO SERIE 18 - 2.8 JTD MAXI CARGO	05 /	PD/652-B	Bosch	PD/501	Bosch	Freio de mão FI/322-CP
ELBA	85 / 97	PD/25 PD/25-A PD/25-B PD/26	Teves Teves Teves Varga	FI/90	Teves	Freio traseiro Ø185,0x30,0mm
FIAT-80	79 / 80	FI/92		FI/92		
FIAT-80	80 / 85	FI/94	Varga	FI/93	Varga	
FIAT-120	80 / 85	FI/95	Bendix	FI/95	Bendix	3° eixo FI/95
FIAT-130	76 / 79	FI/115		FI/115		
FIAT-140	79	FI/115		FI/115		
FIAT-140	79 / 85	FI/117	Varga	FI/117	Varga	3° eixo FI/117

MARCA / MODELO	Ano	Dianteira	Sistema	Traseira	Sistema	Obs.:
----------------	-----	-----------	---------	----------	---------	-------

FIAT (continuação)						
FIAT 147	77 / 86	PD/10 PD/18	Bendix Teves	FI/90	Teves	Freio traseiro Ø185,0x30,0mm
FIAT-180	76 / 79	FN/116		4514-F	Bendix	
FIAT-190	76 / 85	4524-B	Master	4515-C		
FIAT-210	76 / 78	4524-B	Master	4515-C		
FIORINO	83 / 86	PD/10	Bendix	FI/90	Teves	
FIORINO	83 / 87	PD/18	Teves	FI/90	Teves	
FIORINO	87 / 93	PD/25 PD/25-A PD/25-B PD/26	Teves Teves Teves Varga	FI/90	Teves	Freio traseiro Ø185,0x30,0mm
FIORINO 750 kg	92 / 07-10	PD/47	Teves	FI/91-S/F FI/91-CP FI/125-CP FI/129-CPA	Bosch Bosch Bendix Bendix	
FIORINO 750 kg	08-10 /	PD/89	Teves	FI/91-S/F FI/91-CP FI/125-CP FI/129-CPA	Bosch Bosch Bendix Bendix	
FREEMONT EMOTION 2.4 16V	11 /	PD/1026	Bosch	PD/300	TRW	
FREEMONT PRECISION 2.4 16V	11 /	PD/1026	Bosch	PD/300	TRW	
GRAND SIENA ESSENCE 1.6 16V	12 /	PD/88	Teves			
GRAND SIENA ESSENCE DUALOGIC 1.6 16V	12 /	PD/88	Teves			
GRAND SIENA ATTRACTIVE 1.4 8V	12 /	PD/85	Teves			
GRAND SIENA TETRAFUEL 1.4 8V	12 /	PD/85	Teves			
IDEA 1.4	05 / 06-09	PD/68	Teves	FI/91-S/F FI/91-CP	Bosch	
IDEA 1.8	05 / 04-09	PD/68	Teves	FI/91-S/F FI/91-CP	Bosch	
IDEA 1.4	07-09 /	PD/88	Teves	FI/91-S/F FI/91-CP	Bosch	
IDEA 1.8	05-09 /	PD/88	Teves	FI/91-S/F FI/91-CP	Bosch	
IDEA 1.8 ADVENTURE	05 / 03-10	PD/78-A	Teves	FI/91-S/F FI/91-CP	Bosch	
IDEA 1.8 ADVENTURE	04-10 /	PD/92	Teves	FI/91-S/F FI/91-CP	Bosch	
LINEA 1.4 T-JET	09 / 03-10	PD/66 PD/78-A	Teves			
LINEA 1.9	09 / 03-10	PD/66 PD/78-A	Teves	FI/220-CPA		
LINEA 1.4 T-JET	04-10 /	PD/92	Teves			
LINEA 1.9	04-10 /	PD/92	Teves	FI/220-CPA		
MAREA 1.6 16V	05 /	PD/403-B	Teves	FI/91-S/F FI/91-CP FI/127-CPA	Bosch Bosch Lockheed	
MAREA 2.0 20V Turbo	98 /	PD/484-A	Girling	PD/439	Girling	
MAREA CITY 2.0	98 /	PD/66-A PD/66-B	Teves	PD/439	Girling	
MAREA ELX 2.0 20V	98 / 00	PD/66-A PD/66-B	Teves	PD/439	Girling	
MAREA ELX 2.4 20V	00 /	PD/484-A	Girling	PD/439	Girling	
MAREA HLX 2.4 20V	00 /	PD/484-A	Girling	PD/439	Girling	
MAREA HLX 2.0 20V	98 / 00	PD/66-A PD/66-B	Teves	PD/439	Girling	

MARCA / MODELO	Ano	Dianteira	Sistema	Traseira	Sistema	Obs.:
----------------	-----	-----------	---------	----------	---------	-------

FIAT (continuação)						
MAREA SX 1.8 16V	99 /	PD/403-B	Teves	FI/91-S/F FI/91-CP FI/127-CPA	Bosch Bosch Lockheed	
MAREA SX 2.0 20V	98 / 00	PD/66-A PD/66-B	Teves	PD/439	Girlinging	
MAREA WEEKEND CITY 2.0	98 /	PD/66-A PD/66-B	Teves	PD/439	Girlinging	
MAREA WEEKEND ELX 2.0 20V	98 / 00	PD/66-A PD/66-B	Teves	PD/439	Girlinging	
MAREA WEEKEND ELX 2.4 20V	00 /	PD/484-A	Girlinging	PD/439	Girlinging	
MAREA WEEKEND HLX 2.4 20V	00 /	PD/484-A	Girlinging	PD/439	Girlinging	
MAREA WEEKEND HLX 2.0 20V	98 / 00	PD/66-A PD/66-B	Teves	PD/439	Girlinging	
MAREA WEEKEND SX 1.8	99 /	PD/403-B	Teves	FI/91-S/F FI/91-CP FI/127-CPA	Bosch Bosch Lockheed	
MAREA WEEKEND SX 2.0 20V	98 / 00	PD/66-A PD/66-B	Teves	PD/439	Girlinging	
MILLE	91 /	PD/25 PD/26	Teves Varga	FI/90	Teves	Freio traseiro Ø185,0x30,0mm
OGGI	83 / 85	PD/10 PD/18	Bendix Teves	FI/90	Teves	
PALIO ATTRACTIVE 1.0 EVO	11 /	PD/85	Teves			
PALIO ATTRACTIVE 1.4 EVO	11 /	PD/85	Teves			
PALIO ESSENCE 1.6 16V	11 /	PD/88	Teves			
PALIO ESSENCE DUALOGIC 1.6 16V	11 /	PD/88	Teves			
PALIO SPORTING 1.6 16V	11 /	PD/88	Teves			
PALIO SPORTING DUALOGIC 1.6 16V	11 /	PD/88	Teves			
PALIO 1.6 16V	98 / 99	PD/60	Teves	FI/97-CP FI/97-CPA	Teves	
PALIO 1.6 16V	00	PD/68	Teves	FI/97-CP FI/97-CPA	Teves	
PALIO 1.8	03 /	PD/68	Teves	FI/97-CP FI/97-CPA	Teves	
PALIO CITY 1.0	99 / 00	PD/60	Teves	FI/97-CP FI/97-CPA	Teves	
PALIO ED 1.0	96 / 97	PD/25 PD/25-A PD/25-B	Teves	FI/97-CP FI/97-CPA	Teves	
PALIO ED 1.0	98 / 99	PD/60	Teves	FI/97-CP FI/97-CPA	Teves	
PALIO EDX 1.0	96 / 97	PD/25 PD/25-A PD/25-B	Teves	FI/97-CP FI/97-CPA	Teves	
PALIO EDX 1.0	98 / 99	PD/60	Teves	FI/97-CP FI/97-CPA	Teves	
PALIO EL 1.5	96	PD/25 PD/25-A PD/25-B	Teves	FI/97-CP FI/97-CPA	Teves	
PALIO EL 1.5	98 / 99	PD/60	Teves	FI/97-CP FI/97-CPA	Teves	
PALIO EL 1.6	98 / 99	PD/60	Teves	FI/97-CP FI/97-CPA	Teves	
PALIO EL 1.6 16V	96 / 97	PD/25 PD/25-A PD/25-B	Teves	FI/97-CP FI/97-CPA	Teves	

MARCA / MODELO	Ano	Dianteira	Sistema	Traseira	Sistema	Obs.:
----------------	-----	-----------	---------	----------	---------	-------

FIAT (continuação)						
PALIO ELX 1.0	99 / 09-09	PD/60	Teves	FI/97-CP FI/97-CPA	Teves	
PALIO ELX 1.4	06 / 09-09	PD/60	Teves	FI/97-CP FI/97-CPA	Teves	
PALIO ELX 1.0	10-09 /	PD/90	Teves	FI/97-CP FI/97-CPA	Teves	
PALIO ELX 1.4	10-09 /	PD/90	Teves	FI/97-CP FI/97-CPA	Teves	
PALIO ELX 1.5	99 / 00	PD/60	Teves	FI/97-CP FI/97-CPA	Teves	
PALIO ELX 1.6	98 / 00	PD/60	Teves	FI/97-CP FI/97-CPA	Teves	
PALIO ELX 1.6 16V	01 / 03	PD/68	Teves	FI/97-CP FI/97-CPA	Teves	
PALIO ELX FIRE 1.3 16V	01 / 03	PD/60	Teves	FI/97-CP FI/97-CPA	Teves	
PALIO EX 1.0	98 / 00	PD/60	Teves	FI/97-CP FI/97-CPA	Teves	
PALIO EX FIRE 1.0 16V	01 / 09-09	PD/60	Teves	FI/97-CP FI/97-CPA	Teves	
PALIO EX FIRE 1.0 8V	01 / 09-09	PD/60	Teves	FI/97-CP FI/97-CPA	Teves	
PALIO EX FIRE 1.3 8V	01 / 09-09	PD/60	Teves	FI/97-CP FI/97-CPA	Teves	
PALIO EX FIRE 1.0 16V	10-09 /	PD/90	Teves	FI/97-CP FI/97-CPA	Teves	
PALIO EX FIRE 1.0 8V	10-09 /	PD/90	Teves	FI/97-CP FI/97-CPA	Teves	
PALIO EX FIRE 1.3 8V	10-09 /	PD/90	Teves	FI/97-CP FI/97-CPA	Teves	
PALIO HLX 1.8	05 /	PD/68	Teves	FI/97-CP FI/97-CPA	Teves	
PALIO STILE 1.6 16V	01 / 02	PD/68	Teves	FI/97-CP FI/97-CPA	Teves	
PALIO YOUNG 1.0	01	PD/60	Teves	FI/97-CP FI/97-CPA	Teves	
PALIO WEEKEND 1.0	99 / 00	PD/60	Teves	FI/91-S/F FI/91-CP FI/129-CPA	Bosch Bosch Bendix	
PALIO WEEKEND ELX FIRE 1.0 16V	01 / 09-09	PD/60	Teves	FI/91-S/F FI/91-CP FI/127-CPA	Bosch Bosch Lockheed	
PALIO WEEKEND ELX FIRE 1.0 16V	10-09 /	PD/90	Teves	FI/91-S/F FI/91-CP FI/127-CPA	Bosch Bosch Lockheed	
PALIO WEEKEND ELX FIRE 1.3 16V	00 /	PD/68	Teves	FI/91-S/F FI/91-CP FI/129-CPA FI/127-CPA	Bosch Bosch Bendix Lockheed	
PALIO WEEKEND 1.5	97	PD/25 PD/25-A PD/25-B	Teves	FI/91-S/F FI/91-CP FI/129-CPA	Bosch Bosch Bendix	
PALIO WEEKEND 1.5	98 / 00	PD/68	Teves	FI/91-S/F FI/91-CP FI/129-CPA	Bosch Bosch Bendix	
PALIO WEEKEND CITY 1.5	99 / 00	PD/68	Teves	FI/91-S/F FI/91-CP FI/129-CPA	Bosch Bosch Bendix	

MARCA / MODELO	Ano	Dianteira	Sistema	Traseira	Sistema	Obs.:
----------------	-----	-----------	---------	----------	---------	-------

FIAT (continuação)

PALIO WEEKEND ELX 1.5	99 / 00	PD/68	Teves	FI/91-S/F FI/91-CP FI/129-CPA	Bosch Bosch Bendix	
PALIO WEEKEND EX 1.5	99 / 00	PD/68	Teves	FI/91-S/F FI/91-CP FI/129-CPA	Bosch Bosch Bendix	
PALIO WEEKEND 1.6 16V	98 / 99	PD/68	Teves	FI/91-S/F FI/91-CP FI/129-CPA	Bosch Bosch Bendix	
PALIO WEEKEND 1.8	03 /	PD/68	Teves	FI/91-S/F FI/91-CP FI/127-CPA	Bosch Bosch Lockheed	
PALIO WEEKEND ADVENTURE 1.6	99 / 03	PD/68	Teves	FI/91-S/F FI/91-CP FI/127-CPA	Bosch Bosch Lockheed	
PALIO WEEKEND ADVENTURE 1.8	03 /	PD/68	Teves	FI/91-S/F FI/91-CP FI/127-CPA	Bosch Bosch Lockheed	
PALIO WEEKEND ADVENTURE LOCKER 1.8	09 / 03-10	PD/66 PD/78-A	Teves	FI/220-CPA		
PALIO WEEKEND ADVENTURE LOCKER 1.8	04-10 /	PD/92	Teves	FI/220-CPA		
PALIO WEEKEND ELX 1.4	06 / 09-09	PD/60	Teves	FI/91-S/F FI/91-CP FI/127-CPA	Bosch Bosch Lockheed	
PALIO WEEKEND ELX 1.4	10-09 /	PD/90	Teves	FI/91-S/F FI/91-CP FI/127-CPA	Bosch Bosch Lockheed	
PALIO WEEKEND ELX 1.6	98 / 00	PD/60	Teves	FI/91-S/F FI/91-CP FI/129-CPA	Bosch Bosch Bendix	
PALIO WEEKEND HLX 1.8	05 /	PD/68	Teves	FI/91-S/F FI/91-CP FI/127-CPA	Bosch Bosch Lockheed	
PALIO WEEKEND SPORT 1.6 16V	98 / 00	PD/68	Teves	FI/91-S/F FI/91-CP FI/129-CPA	Bosch Bosch Bendix	
PALIO WEEKEND STILE 1.6 16V	98 / 02	PD/68	Teves	FI/91-S/F FI/91-CP FI/127-CPA	Bosch Bosch Lockheed	
PANORAMA	80 / 86	PD/10 PD/18	Bendix Teves	FI/90	Teves	Freio traseiro Ø185,0x30,0mm
PICAPE	83 / 86	PD/10	Bendix	FI/90	Teves	Freio traseiro Ø185,0x30,0mm
PICAPE	83 / 87	PD/18	Teves	FI/90	Teves	Freio traseiro Ø185,0x30,0mm
PICAPE	87 / 93	PD/25 PD/25-A PD/25-B PD/26	Teves Teves Teves Varga	FI/90	Teves	Freio traseiro Ø185,0x30,0mm
PRÊMIO	85 / 95	PD/25 PD/25-A PD/25-B PD/26	Teves Teves Teves Varga	FI/90	Teves	Freio traseiro Ø185,0x30,0mm
PUNTO 1.4 ELX	07 / 06-09	PD/68	Teves	FI/219-CPA		
PUNTO 1.4 T-JET	09 / 03-10	PD/66	Teves			
PUNTO 1.8 HLX	07 / 06-09	PD/68	Teves	FI/220-CPA		
PUNTO 1.4 ELX	07-09 /	PD/88	Teves	FI/219-CPA		
PUNTO 1.4 T-JET	04-10 /	PD/92	Teves			
PUNTO 1.8 HLX	07-09 /	PD/88	Teves	FI/220-CPA		
SIENA 1.0	99 / 00	PD/60	Teves	FI/97-CP FI/97-CPA	Teves	
SIENA 1.8	03 /	PD/68	Teves	FI/97-CP FI/97-CPA	Teves	
SIENA CITY	99 / 00	PD/60	Teves	FI/97-CP FI/97-CPA	Teves	

MARCA / MODELO	Ano	Dianteira	Sistema	Traseira	Sistema	Obs.:
----------------	-----	-----------	---------	----------	---------	-------

FIAT (continuação)						
SIENA ELX FIRE 1.0 16V	01 / 05	PD/60	Teves	FI/97-CP FI/97-CPA	Teves	
SIENA EX FIRE 1.0 16V	01 / 05	PD/60	Teves	FI/97-CP FI/97-CPA	Teves	
SIENA ELX FIRE 1.3 16V	00 / 05	PD/60	Teves	FI/97-CP FI/97-CPA	Teves	
SIENA ELX 1.0	06 / 09-09	PD/60	Teves	FI/97-CP FI/97-CPA	Teves	
SIENA ELX 1.4	06 / 09-09	PD/60	Teves	FI/97-CP FI/97-CPA	Teves	
SIENA ELX 1.0	10-09 /	PD/90	Teves	FI/97-CP FI/97-CPA	Teves	
SIENA ELX 1.4	10-09 /	PD/90	Teves	FI/97-CP FI/97-CPA	Teves	
SIENA ELX 1.5	00	PD/60	Teves	FI/97-CP FI/97-CPA	Teves	
SIENA EL 1.6	97	PD/25 PD/25-A PD/25-B	Teves	FI/97-CP FI/97-CPA	Teves	
SIENA EL 1.6	98 / 99	PD/60	Teves	FI/97-CP FI/97-CPA	Teves	
SIENA EL 1.6 16V	97	PD/25 PD/25-A PD/25-B	Teves	FI/97-CP FI/97-CPA	Teves	
SIENA EL 1.6 16V	98 / 99	PD/60	Teves	FI/97-CP FI/97-CPA	Teves	
SIENA ELX 1.6	98 / 00	PD/60	Teves	FI/97-CP FI/97-CPA	Teves	
SIENA ELX 1.6 16V	01 /	PD/68	Teves	FI/97-CP FI/97-CPA	Teves	
SIENA HL 1.6 16V	97	PD/25 PD/25-A PD/25-B	Teves	FI/97-CP FI/97-CPA	Teves	
SIENA HL 1.6 16V	98	PD/60	Teves	FI/97-CP FI/97-CPA	Teves	
SIENA HLX 1.8	05 /	PD/68	Teves	FI/97-CP FI/97-CPA	Teves	
SIENA SPORT 1.6 16V	98 / 99	PD/60	Teves	FI/97-CP FI/97-CPA	Teves	
SIENA STILE 1.6 16V	98 / 99	PD/60	Teves	FI/97-CP FI/97-CPA	Teves	
STILO 1.2 16V	02-02 /	PD/509-B	Bosch	PD/518	Bosch	
STILO 1.4 16V	01-04 /	PD/509-B	Bosch	PD/518	Bosch	
STILO 1.8 8V	03 /	PD/509-B	Bosch	FI/91-S/F FI/91-CP	Bosch	
STILO 1.8 16V	03 /	PD/511-B	Bosch	PD/518	Bosch	
STILO 1.9 JTD	10-01 /	PD/511-B	Bosch	PD/518	Bosch	
STILO 2.4 20V	03 /			PD/518	Bosch	
STILO 1.8 8V	10 /	PD/68-B	Teves			
STILO 1.8 SP 8V	07 /	PD/68-B	Teves			
STILO 1.8 SPORTING 8V	07 /	PD/68-B	Teves			
STILO DUALOGIC 1.8 ATTRACTIVE	10 /	PD/68-B	Teves			
STILO DUALOGIC 1.8 BLACKMOTION 8V	10 /	PD/68-B	Teves			
STILO DUALOGIC 1.8 SP 8V	10 /	PD/68-B	Teves			

MARCA / MODELO	Ano	Dianteira	Sistema	Traseira	Sistema	Obs.:
----------------	-----	-----------	---------	----------	---------	-------

FIAT (continuação)						
STRADA	98 / 06-09	PD/68	Teves	FI/91-S/F FI/91-CP	Bosch	
STRADA 1.4	07-09 /	PD/88	Teves	FI/91-S/F FI/91-CP	Bosch	
STRADA 1.8	07-09 /	PD/88	Teves	FI/91-S/F FI/91-CP	Bosch	
STRADA LOCKER	09 /	PD/78-A	Teves	FI/136-CP		
TEMPRA 8V	92 / 94	PD/47-A	Teves	FI/91-S/F FI/91-CP FI/125-CP FI/129-CPA	Bosch Bosch Bendix Bendix	
TEMPRA 8V	95 /	PD/48 PD/48-A	Teves	FI/91-S/F FI/91-CP FI/125-CP FI/129-CPA	Bosch Bosch Bendix Bendix	
TEMPRA 16V	93 / 94	PD/47-A	Teves	PD/49	Varga	
TEMPRA 16V	95 /	PD/48 PD/48-A	Teves	PD/49	Varga	
TEMPRA SW	95 / 97	PD/47-A	Teves	PD/430	Girlinging	
TEMPRA Turbo	94 /	PD/48 PD/48-A	Teves	PD/49	Varga	
TIPO 1.6	93 / 97	PD/27-A PD/47	Girlinging Teves	FI/96-S/F FI/96-CPA FI/135-CP	Girlinging Girlinging Bendix	
TIPO 2.0 8V	94 / 97	PD/47-A	Teves	PD/49	Varga	
TIPO 2.0 16V	94 / 98	PD/48 PD/48-A	Teves	PD/430	Girlinging	
UNO ATTRACTIVE 1.4 EVO 4P	10 /	PD/85	Teves	FI/219-CPA	TRW	C/ABS
UNO VIVACE 1.0 EVO 4P	10 /	PD/85	Teves	FI/219-CPA	TRW	C/ABS
UNO WAY 1.0 EVO 4P	10 /	PD/85	Teves	FI/219-CPA	TRW	C/ABS
UNO WAY 1.4 EVO 4P	10 /	PD/85	Teves	FI/219-CPA	TRW	C/ABS
UNO ATTRACTIVE 1.4 EVO 4P	10 /	PD/85	Teves	FI/97-CP FI/97-CPA	Bendix	S/ABS
UNO VIVACE 1.0 EVO 4P	10 /	PD/85	Teves	FI/97-CP FI/97-CPA	Bendix	S/ABS
UNO WAY 1.0 EVO 4P	10 /	PD/85	Teves	FI/97-CP FI/97-CPA	Bendix	S/ABS
UNO WAY 1.4 EVO 4P	10 /	PD/85	Teves	FI/97-CP FI/97-CPA	Bendix	S/ABS
UNO	84 / 96	PD/25 PD/25-A PD/25-B PD/26	Teves Teves Teves Varga	FI/90	Teves	
UNO MILLE 1.0 SX	96 / 99	PD/25 PD/25-A PD/25-B PD/26	Teves Teves Teves Varga	FI/90	Teves	
UNO MILLE 1.0 EX	97 / 01	PD/25 PD/25-A PD/25-B PD/26	Teves Teves Teves Varga	FI/90	Teves	
UNO MILLE 1.0 SMART	01 / 04	PD/25 PD/25-A PD/25-B PD/26	Teves Teves Teves Varga	FI/90	Teves	
UNO MILLE 1.0 FIRE	01 /	PD/25 PD/25-A PD/25-B PD/26	Teves Teves Teves Varga	FI/90	Teves	

MARCA / MODELO	Ano	Dianteira	Sistema	Traseira	Sistema	Obs.:
----------------	-----	-----------	---------	----------	---------	-------

FIAT (continuação)						
UNO MILLE 1.0 FIRE	09 / 09-09	PD/25	Teves	FI/97-CP FI/97-CPA	Teves	
UNO MILLE 1.0 FIRE	10-09 /	PD/87	Teves	FI/97-CP FI/97-CPA	Teves	
UNO 1.0 WAY	08 / 07-10	PD/47	Teves	FI/97-CP FI/97-CPA	Teves	
UNO 1.0 WAY	08-10 /	PD/89	Teves	FI/97-CP FI/97-CPA	Teves	
UNO Turbo	94 / 96	PD/48 PD/48-A	Teves	FI/91-S/F	Bosch	
UNO 1.5 R	87 / 90	PD/27-A	Girling	FI/90	Teves	Importado
UNO 1.6 R	90 / 94	PD/27-A	Girling	FI/90	Teves	Importado

FNM (Alfa Romeo)						
D-11.000	58 / 70	FN/106		FN/107		
FNM-180	73 / 74	FN/106		FN/107		
FNM-180	75 / 77	FN/116		4514-F	Bendix	
FNM-190	76 / 77	4524-B	Master	4515-C		
FNM-210	73 / 77	4524-B	Master	4515-C		
V-15	71 / 77	FN/106		FN/107		

FORD						
1093	64 / 68	8049		8049		
AERO-WILLYS	60 / 61	1219		1219		
AERO-WILLYS	62 / 71	2006-T	Bendix	2006-T	Bendix	
B-1618-CO	93 / 97	FD/87	Master	FD/88	Master	Ônibus
B-1621	98 /	FD/88	Master	4710	Master	Ônibus
BELINA	69 / 77	PD/10	Bendix	8049		
BELINA 4x4	85 / 87	PD/10 PD/18	Bendix Teves	CB/42		
BELINA II	77 / 89	PD/10	Bendix	FD/65 FD/66	Bendix Varga	
BELINA II	80 / 89	PD/18	Teves	FD/65 FD/66	Bendix Varga	
C-712-E	07 /	FD/58	Master	FD/58	Master	Freio HD
C-1113	85 / 86			4505-A		
C-1114	85 / 86			4505-A		
C-1117	85 / 86			4505-A		
C-1215	86 / 91	FD/83	Bendix	4515-G	Bendix	
C-1215	92 / 96	FD/83	Bendix	FD/85	Bendix	
C-1215	97 /	FD/86	Master	FD/87	Master	
C-1217	01 /	FD/86	Master	FD/87	Master	
C-1218	87 / 91	FD/83	Bendix	4515-G	Bendix	
C-1313	85 / 87	FD/83	Bendix	4515-G	Bendix	
C-1314	85 / 86	FD/83	Bendix	4515-G	Bendix	
C-1316	02 /	FD/86	Master	FD/87	Master	
C-1317	85 / 86	FD/83	Bendix	4515-G	Bendix	
C-1317	01 /	FD/86	Master	FD/87	Master	
C-1415	86 / 91	FD/83	Bendix	4515-G	Bendix	
C-1415	92 / 96	FD/83	Bendix	FD/84	Bendix	

MARCA / MODELO	Ano	Dianteira	Sistema	Traseira	Sistema	Obs.:
----------------	-----	-----------	---------	----------	---------	-------

FORD (continuação)						
C-1415	97 /	FD/86	Master	FD/88	Master	3° eixo FD/88
C-1416	98 /	FD/86	Master	FD/88	Master	3° eixo FD/88
C-1417	01 /	FD/86	Master	FD/88	Master	
C-1418	86 / 90	FD/83	Bendix	4515-G	Bendix	
C-1419	90 / 91	FD/83	Bendix	4515-G	Bendix	
C-1421	01 /	FD/86	Master	FD/88	Master	
C-1422	92 / 96	FD/83	Bendix	FD/84	Bendix	
C-1422	97 /	FD/86	Master	FD/88	Master	3° eixo FD/88
C-1514	85 / 86	FD/83	Bendix	4515-G	Bendix	
C-1516	02 /	FD/87	Master	FD/88	Master	
C-1517	85 / 86	FD/83	Bendix	4515-G	Bendix	
C-1517	12-02 /	FD/87	Master	FD/88	Master	3° eixo FD/88
C-1521	12-02 /	FD/87	Master	FD/88	Master	3° eixo FD/88
C-1615	86 / 90	FD/83	Bendix	4515-G	Bendix	
C-1617	92 / 96	FD/85	Bendix	FD/84	Bendix	
C-1617	97 /	FD/87	Master	FD/88	Master	3° eixo FD/88
C-1618	86 / 90	FD/83	Bendix	4515-G	Bendix	
C-1618	91 / 96	FD/85	Bendix	FD/84	Bendix	
C-1618	97 /	FD/87	Master	FD/88	Master	3° eixo FD/88
C-1619	90 / 97	FD/83	Bendix	4515-G	Bendix	
C-1619	91 / 96	FD/85	Bendix	FD/84	Bendix	
C-1621	97 /	FD/87	Master	FD/88	Master	3° eixo FD/88
C-1622	92 / 96	FD/85	Bendix	FD/84	Bendix	
C-1622	97 /	FD/87	Master	FD/88	Master	3° eixo FD/88
C-1622 GARBAGE	02 /	FD/88	Master	4710	Master	Lixo
C-1630	97 /	FD/87	Master	FD/88	Master	
C-1717	01 /	FD/87	Master	FD/88	Master	3° eixo FD/88
C-1721	01 /	FD/87	Master	FD/88	Master	3° eixo FD/88
C-1722	97 /	FD/87	Master	FD/88	Master	3° eixo FD/88
C-1722 GARBAGE	03-02 /	FD/88	Master	4710	Master	Lixo
C-1730	01 /	FD/87	Master	FD/88	Master	
C-1731	03 /	FD/87	Master	FD/88	Master	
C-2217	86 / 90	FD/83	Bendix	4515-G	Bendix	3° eixo 4515-G
C-2218	87 / 90	FD/83	Bendix	4515-G	Bendix	3° eixo 4515-G
C-2218-T	88 / 90	FD/83	Bendix	4515-G	Bendix	3° eixo 4515-G
C-2219	90 /	FD/83	Bendix	4515-G	Bendix	3° eixo 4515-G
C-2219-T	90 /	FD/83	Bendix	4515-G	Bendix	3° eixo 4515-G
C-2319 6x2	91 / 96	FD/85	Bendix	FD/84	Bendix	3° eixo FD/84
C-2319-T 6x2	91 / 96	FD/85	Bendix	FD/84	Bendix	3° eixo FD/84
C-2322	92 / 96	FD/85	Bendix	FD/84	Bendix	
C-2322 6x2	92 / 96	FD/85	Bendix	FD/84	Bendix	3° eixo FD/84
C-2324	90 / 96	FD/83	Bendix	4515-G	Bendix	3° eixo 4515-G
C-2324 6x4	91 / 97	FD/85	Bendix	FD/84	Bendix	3° eixo FD/84
C-2421 6x2	10-03 /	FD/87	Master	FD/88	Master	3° eixo FD/88
C-2422	89 / 91	FD/83	Bendix	4515-G	Bendix	3° eixo 4515-G
C-2422	92 / 96	FD/85	Bendix	FD/84	Bendix	
C-2422	95 / 02	FD/87	Master	FD/88	Master	
C-2422 6x2	10-03 /	FD/87	Master	FD/88	Master	3° eixo FD/88
C-2422 6x4	92 / 95	FD/85	Bendix	FD/84	Bendix	3° eixo FD/84
C-2422 6x4	96 / 02	FD/87	Master	FD/88	Master	
C-2425	95 / 02	FD/87	Master	FD/88	Master	3° eixo FD/88

MARCA / MODELO	Ano	Dianteira	Sistema	Traseira	Sistema	Obs.:
----------------	-----	-----------	---------	----------	---------	-------

FORD (continuação)						
C-2428	06 /	FD/88	Master	FD/88	Master	
C-2622	02 /	FD/88	Master	FD/88	Master	
C-2626	02 /	FD/88	Master	FD/88	Master	
C-2628	02 /	FD/88	Master	FD/88	Master	
C-2630	98 / 04-02	FD/87	Master	FD/88	Master	3° eixo FD/88
C-2630	05-02 /	FD/88	Master	FD/88	Master	
C-2631	02 /	FD/88	Master	FD/88	Master	
C-2831	11-04 /	FD/88	Master	FD/88	Master	3° eixo FD/88
C-2932	02 /	FD/88	Master	FD/88	Master	3° eixo FD/88
C-3222	01 /	FD/87	Master	FD/88	Master	
C-3224	90 / 97	FD/83	Bendix	4515-G	Bendix	
C-3224	91 / 96	FD/85	Bendix	FD/84	Bendix	
C-3224	97 /	FD/87	Master	FD/88	Master	
C-3530	92 / 97	FD/85	Bendix	FD/84	Bendix	
C-4030	95 / 96	FD/85	Bendix	FD/84	Bendix	
C-4030	97 /	FD/87	Master	FD/88	Master	
C-4031	01 /	FD/87	Master	FD/88	Master	
C-4331	01 /	FD/87	Master	FD/88	Master	
C-4331 MaxTon	03 /	FD/87	Master	FD/88	Master	
C-4331 S	10-04 /	FD/87	Master	FD/88	Master	
C-4432E TRACTOR	05 /	FD/88	Master	FD/88	Master	
C-5032	06 /	FD/88	Master	FD/88	Master	
C-6332 E	11-07 /	FD/88	Master	FD/88	Master	3° eixo FD/88
C-814	96 /	FD/77	Master	FD/77	Master	
C-815	01 /	FD/77	Master	FD/77	Master	
C-815 E	04 /	FD/58	Master	FD/58	Master	Freio HD
C-915	01 /	FD/77	Master	FD/77	Master	
CORCEL	69 / 77	PD/10	Bendix	8049		
CORCEL II	77 / 86	PD/10	Bendix	FD/65 FD/66	Bendix Varga	
CORCEL II	80 / 86	PD/18	Teves	FD/65 FD/66	Bendix Varga	
COURIER 1.3	97 / 99	PD/65	Teves	FD/130-CPA		
COURIER 1.4 16V	97 / 99	PD/65	Teves	FD/130-CPA		
COURIER 1.6	99 / 02-09	PD/65	Teves	FD/130-CPA		
COURIER 1.6	03-09 /	PD/79	Teves	FD/130-CPA		
CROWN VICTORIA	96 /					Freio de mão FP/99-CP
DAUPHINE	64 / 68	8049		8049		
DEL REY	81 / 83	PD/10 PD/18	Bendix Teves	FD/65 FD/66	Bendix Varga	
DEL REY	84 / 91	PD/22 PD/22-B	Varga	FD/65 FD/66	Bendix Varga	
ECOSPORT 1.0 SUPERCHARGER	03 / 02-09	PD/497	Teves	FD/98-CP	Teves	
ECOSPORT 1.0 SUPERCHARGER	03-09 /	PD/80	Teves	FD/98-CP	Teves	
ECOSPORT 1.4 D	03 / 02-09	PD/497	Teves	FD/98-CP	Teves	
ECOSPORT 1.4 D	03-09 /	PD/80	Teves	FD/98-CP	Teves	
ECOSPORT 1.6	03 / 02-09	PD/497	Teves	FD/98-CP	Teves	
ECOSPORT 1.6	03-09 /	PD/80	Teves	FD/98-CP	Teves	
ECOSPORT 2.0	03 / 02-09	PD/497	Teves	FD/98-CP	Teves	
ECOSPORT 2.0	03-09 /	PD/80	Teves	FD/98-CP	Teves	

MARCA / MODELO	Ano	Dianteira	Sistema	Traseira	Sistema	Obs.:
----------------	-----	-----------	---------	----------	---------	-------

FORD (continuação)						
ECOSPORT AUTOMATICA	09 /	PD/767	Teves			
EDGE 3.5L V6	08 /	PD/1080	ADVICS	PD/1081	Akebono	
ESCORT 1.6	83 / 92	PD/24 PD/24-A PD/24-B	Teves	FD/64-S/F FD/64-CPA	Varga	
ESCORT 1.6	93 / 96	PD/34	Teves	FD/63-S/F FD/126-CPA	Varga	
ESCORT 1.6	94 / 96	PD/35	Bendix	FD/63-S/F FD/126-CPA	Varga	
ESCORT 1.8	84 / 92	PD/24 PD/24-A PD/24-B	Teves	FD/64-S/F FD/64-CPA	Varga	
ESCORT 1.8	93 / 96	PD/34	Teves	FD/63-S/F FD/126-CPA	Varga	
ESCORT 1.8	94 / 96	PD/35	Bendix	FD/63-S/F FD/126-CPA	Varga	
ESCORT 1.8 16V	97 /	PD/35	Bendix	FD/63-S/F FD/63-CPA	Varga	
ESCORT HOBBY	93 / 96	PD/24 PD/24-A PD/24-B	Teves	FD/64-S/F FD/64-CPA	Varga	
ESCORT 1.8 16V SW	97 /	PD/35 PD/65	Bendix Teves	FD/63-S/F FD/63-CPA	Varga	
ESCORT 1.8 XR3	84 / 92	PD/24 PD/24-A PD/24-B	Teves	FD/64-S/F		
ESCORT 2.0i XR3	93 / 95	PD/39	Teves	PD/36	Teves	
EXPEDITION	97 / 98	PD/565		PD/566		Americana
EXPEDITION	98 / 02	PD/565				Americana
EXPLORER	93 / 95	PD/374	Bendix			Freio de mão FD/99-CP
EXPLORER	95 /	PD/332	Bendix	PD/410	Bendix	Freio de mão FD/99-CP
F-100	56 / 61	287				
F-100	61 / 67	2053-T				
F-100	68	2121-T		2006-T	Bendix	1º Série
F-100	68 / 78	2121-T		FD/68		2º Série
F-150	98			PD/566		Americana
F-150	00 / 04	PD/565				Americana
F-250 XL	98 /	PD/62	Bosch	FD/78		
F-250 XLT	98 / 02	PD/62	Bosch	PD/63 FD/78	Bosch Bendix	
F-250 XLT	03 /	PD/62	Bosch	FD/78	Bendix	
F-250	97	PD/565		PD/566		Americana
F-250	98 /			FD/101-CP		Freio traseiro Ø330x70,6
F-250	98 / 99	PD/565				Americana
F-350	62 / 67	2026-T		2042		
F-350	68 / 71	2026-AT		2042-A	Bendix	
F-350	72 / 78	2042-A	Bendix	FD/73		
F-350	98 /	PD/62	Bosch	FD/78		
F-350	98 /			FD/101-CP		Freio traseiro Ø330x70,6
F-400	75 / 77	2042-A	Bendix	FD/72	Bendix	
F-600	59 / 60	2060		2032		

MARCA / MODELO	Ano	Dianteira	Sistema	Traseira	Sistema	Obs.:
----------------	-----	-----------	---------	----------	---------	-------

FORD (continuação)						
F-600	60 / 71	2060		4564-A		
F-600	72 / 80	FD/74	Bendix	FD/75	Bendix	
F-700	76 / 80	FD/76	Bendix	4514-F	Bendix	
F-750	71 / 77	FD/76	Bendix	4514-F	Bendix	
F-1000	79 / 94	PD/19-C	Bendix	2080-T	Bendix	
F-1000	95 / 98	PD/106	Bendix	2080-T	Bendix	
F-1000 4x4	93 / 94	PD/105	Bendix	2080-T	Bendix	
F-1000 4x4	94 / 98	PD/106	Bendix	2080-T	Bendix	
F-1000 Turbo	90 / 94	PD/19-C	Bendix	2080-T	Bendix	
F-1000 Turbo	95 / 98	PD/106	Bendix	2080-T	Bendix	
F-2000	80 / 85	PD/19-C	Bendix	FD/71		
F-4000	75 / 84	2042-A	Bendix	FD/72	Bendix	
F-4000	85 / 98	PD/102	Varga	FD/72	Bendix	
F-4000 Turbo	96 / 98	PD/109	Varga	PD/109	Varga	
F-4000 Turbo	98 / 01	PD/62	Bosch	PD/62	Bosch	
F-4000 Turbo	02 /	PD/62	Bosch	PD/62 FD/72	Bosch Bendix	
F-7000	76 / 80	FD/74	Bendix	FD/75	Bendix	
F-7000	79 / 80	FD/79	Varga	FD/80	Varga	
F-8000	77 / 80	FD/76	Bendix	4514-F	Bendix	
F-8500	77 / 79	FD/76	Bendix	4514-F	Bendix	
F-11000	81 / 89	FD/74	Bendix	FD/75	Bendix	
F-11000	89 / 92	FD/83	Bendix	FD/85	Bendix	
F-12000	81 / 82	FD/79	Varga	FD/80	Varga	
F-12000	87 / 88	FD/74	Bendix	FD/75	Bendix	
F-12000	87 / 89	FD/83	Bendix	4515-G	Bendix	
F-12000	89 / 92	FD/83	Bendix	FD/84	Bendix	
F-12000	92 / 96	FD/83	Bendix	FD/85	Bendix	
F-12000	97 /	FD/86	Master	FD/87	Master	
F-13000	81 / 86	FD/76	Bendix	4514-F	Bendix	
F-14000	87 / 89	FD/83	Bendix	4515-G	Bendix	
F-14000	89 / 96	FD/83	Bendix	FD/84	Bendix	
F-14000	97 /	FD/86	Master	FD/88	Master	
F-16000	99 /	FD/87	Master	FD/88	Master	
F-19000	81 / 82	FD/79	Varga	FD/80	Varga	
F-21000	81 / 83	FD/76	Bendix	4514-F	Bendix	3° eixo 4514-F
F-22000	82 / 85	FD/76	Bendix	4514-F	Bendix	3° eixo 4514-F
F-22000	86 / 89	FD/83	Bendix	4515-G	Bendix	3° eixo 4515-G
F-22000	89 / 91	FD/83	Bendix	FD/84	Bendix	3° eixo FD/84
FIESTA 1.0	96 / 97	PD/55	Teves	FD/64-S/F FD/134-CP	Varga	Importado
FIESTA 1.0	98 / 02	PD/55	Teves	FD/61-S/F FD/61-CPA	Varga	
FIESTA 1.0 SOHC	02 / 04-09	PD/55	Teves	FD/98-CP	Teves	sem ABS
FIESTA 1.0 SOHC	05-09 /	PD/91	Teves	FD/98-CP	Teves	sem ABS
FIESTA 1.0 SOHC Supercharger	02 / 02-09	PD/65	Teves	FD/98-CP	Teves	sem ABS
FIESTA 1.0 SOHC Supercharger	03-09 /	PD/79	Teves	FD/98-CP	Teves	sem ABS
FIESTA 1.0 SOHC Supercharger	02 / 02-09	PD/497	Teves	FD/98-CP	Teves	com ABS
FIESTA 1.0 SOHC Supercharger	03-09 /	PD/80	Teves	FD/98-CP	Teves	com ABS
FIESTA 1.3	95 / 97	PD/55	Teves	FD/64-S/F FD/134-CP	Varga	Importado

MARCA / MODELO	Ano	Dianteira	Sistema	Traseira	Sistema	Obs.:
----------------	-----	-----------	---------	----------	---------	-------

FORD (continuação)						
FIESTA 1.3	98 / 00	PD/55	Teves	FD/61-S/F FD/61-CPA	Varga	
FIESTA 1.4 16V	96 / 97	PD/65	Teves	FD/64-S/F FD/134-CP	Varga	Importado
FIESTA 1.4 16V	98 / 99	PD/65	Teves	FD/61-S/F FD/61-CPA	Varga	
FIESTA 1.4 D	02 / 02-09	PD/497	Teves	FD/98-CP	Teves	com ABS
FIESTA 1.4 D	03-09 /	PD/80	Teves	FD/98-CP	Teves	com ABS
FIESTA 1.6	99 / 02	PD/65	Teves	FD/61-S/F FD/61-CPA	Varga	
FIESTA 1.6 SOHC	04-09 / 10	PD/80	Teves	FD/98-CPA	Teves	com ABS
FIESTA 1.6 SOHC	03-09 / 10	PD/79	Teves	FD/98-CPA	Teves	sem ABS
FIESTA 1.6 SOHC	02 / 02-09	PD/65	Teves	FD/98-CPA	Teves	sem ABS
FIESTA 1.6 SOHC	02 / 03-09	PD/497	Teves	FD/98-CPA	Teves	com ABS
FIESTA SIGMA 1.6L 16V FLEX	10 /	PD/1097				
FOCUS HATCH 1.8 GL	99 / 03	PD/442	Teves	FD/138-CPA		
FOCUS HATCH 1.8 GLX	99 / 03	PD/442	Teves	FD/138-CPA		
FOCUS HATCH 2.0 GLX	99 / 03	PD/442	Teves	PD/480	Teves	
FOCUS HATCH 2.0 GHIA	99 / 03	PD/442	Teves	PD/480	Teves	
FOCUS SEDAN 1.8 GLX	99 / 03	PD/442	Teves	FD/138-CPA		
FOCUS SEDAN 2.0 GLX	99 / 03	PD/442	Teves	PD/480	Teves	
FOCUS SEDAN 2.0 GHIA	99 / 03	PD/442	Teves	PD/480	Teves	
FOCUS HATCH 1.6 GL	04 / 08	PD/442	Teves	FD/138-CPA		
FOCUS HATCH 1.6 8V GLX	04 / 08	PD/442	Teves	FD/138-CPA		
FOCUS HATCH 2.0 16V GLX	04 / 08	PD/442	Teves	PD/480	Teves	com ABS
FOCUS HATCH 2.0 16V GHIA	04 / 08	PD/442	Teves	PD/480	Teves	com ABS
FOCUS HATCH 2.0 16V GLX	04 / 08	PD/442	Teves	FD/138-CPA		sem ABS
FOCUS HATCH 2.0 16V GHIA	04 / 08	PD/442	Teves	FD/138-CPA		sem ABS
FOCUS SEDAN 1.6 8V GLX	04 / 08	PD/442	Teves	FD/138-CPA		
FOCUS SEDAN 2.0 16V GLX	04 / 08	PD/442	Teves	PD/480	Teves	com ABS
FOCUS SEDAN 2.0 16V GHIA	04 / 08	PD/442	Teves	PD/480	Teves	com ABS
FOCUS SEDAN 2.0 16V GLX	04 / 08	PD/442	Teves	FD/138-CPA		sem ABS
FOCUS SEDAN 2.0 16V GHIA	04 / 08	PD/442	Teves	FD/138-CPA		sem ABS
FOCUS HATCH 1.6L GL	09-09 /	PD/767	Teves	PD/796		
FOCUS HATCH 1.6L GLX	09-09 /	PD/767	Teves	PD/796		
FOCUS HATCH 2.0L GHIA	09-09 /	PD/767	Teves	PD/796		
FOCUS HATCH 2.0L GLX	09-09 /	PD/767	Teves	PD/796		
FOCUS SEDAN 1.6L GL	09-09 /	PD/767	Teves	PD/796		
FOCUS SEDAN 1.6L GLX	09-09 /	PD/767	Teves	PD/796		
FOCUS SEDAN 2.0L GHIA	09-09 /	PD/767	Teves	PD/796		
FOCUS SEDAN 2.0L GLX	09-09 /	PD/767	Teves	PD/796		
FOCUS HATCH 1.6L GL	08 / 08-09	PD/1103	Teves	PD/796		
FOCUS HATCH 1.6L GLX	08 / 08-09	PD/1103	Teves	PD/796		
FOCUS HATCH 2.0L GHIA	08 / 08-09	PD/1103	Teves	PD/796		
FOCUS HATCH 2.0L GLX	08 / 08-09	PD/1103	Teves	PD/796		
FOCUS SEDAN 1.6L GL	08 / 08-09	PD/1103	Teves	PD/796		
FOCUS SEDAN 1.6L GLX	08 / 08-09	PD/1103	Teves	PD/796		
FOCUS SEDAN 2.0L GHIA	08 / 08-09	PD/1103	Teves	PD/796		
FOCUS SEDAN 2.0L GLX	08 / 08-09	PD/1103	Teves	PD/796		
ECOSPORT AUTOMATICA 2.0	05 / 08-09	PD/1103	Teves			
FUSION 2.5L 16V	06 /	PD/647	Fomoco	PD/646		

MARCA / MODELO	Ano	Dianteira	Sistema	Traseira	Sistema	Obs.:
----------------	-----	-----------	---------	----------	---------	-------

FORD (continuação)						
FUSION 3.0L V6 24V	06 /	PD/647	Fomoco	PD/646		
FT-7000	79 / 80	FD/79	Varga	FD/80	Varga	
FT-8000	77 / 80	FD/76	Bendix	4514-F	Bendix	
GALAXIE-500	67 / 68	2053-T		2053-T		
GALAXIE-500	69 / 70	2080-T	Bendix	2121-T		
GALAXIE-500	71 / 80	PD/1	Teves	2121-T		
GALAXIE-500	80 / 82			2121-T		
GORDINI	64 / 68	8049		8049		
INTERLAGOS	64 / 68	8049		8049		
ITAMARATY	65 / 71	2006-T	Bendix	2006-T	Bendix	
JEEP	56 / 59	2011		2011		
JEEP	60 / 83	1219		1219		
KA 1.0	97	PD/55	Teves	FD/64-S/F	Varga	
KA 1.0	98 / 04-09	PD/55	Teves	FD/61-S/F FD/61-CPA	Varga	
KA 1.3	97 / 04-09	PD/55	Teves	FD/64-S/F	Varga	
KA 1.3	97 / 04-09	PD/55	Teves	FD/61-S/F FD/61-CPA	Varga	
KA 1.0	05-09 /	PD/91	Teves	FD/61-S/F FD/61-CPA	Varga	
KA 1.3	05-09 /	PD/91	Teves	FD/64-S/F	Varga	
KA 1.3	05-09 /	PD/91	Teves	FD/61-S/F FD/61-CPA	Varga	
KA 1.6	01 /	PD/65	Teves	FD/61-S/F FD/61-CPA	Varga	
LANDAU	76 / 80	PD/1	Teves	2121-T		
LANDAU	80 / 82			2121-T		
LTD	69 / 70	2080-T	Bendix	2121-T		
LTD	71 / 80	PD/1	Teves	2121-T		
LTD	80 / 82			2121-T		
MAVERICK	73 / 76			2012-BT		6 e 8 Cil.
MAVERICK	75 / 76			2012-BT		4 Cil.
MAVERICK	75 / 76	PD/1	Teves	2012-BT		4, 6 e 8 Cil.
MAVERICK	77 / 79	PD/1	Teves	CB/42		4, 6 e 8 Cil.
MONDEO 1.6	93 / 96	PD/352 PD/352-A	Teves	FD/141-CPA		
MONDEO 1.8	93 / 96	PD/352 PD/352-A	Teves	FD/141-CPA		
MONDEO 2.0	93 / 96	PD/352 PD/352-A	Teves	FD/141-CPA		
MONDEO 1.8 CLX	94 / 01	PD/352 PD/352-A	Teves	FD/140-CPA		
MONDEO 1.8 SW	94 / 01	PD/352 PD/352-A	Teves	FD/140-CPA		
MONDEO 2.0 CLX	94 / 01	PD/352 PD/352-A	Teves	FD/140-CPA		
MONDEO 2.0 16 V GLX	94 / 01	PD/352 PD/352-A	Teves	FD/140-CPA		
MONDEO 2.0 16V ZTC GHIA	94 / 01	PD/352-A	Teves	FD/140-CPA		
MONDEO 2.0 SW	94 / 01	PD/352 PD/352-A	Teves	FD/140-CPA		

MARCA / MODELO	Ano	Dianteira	Sistema	Traseira	Sistema	Obs.:
----------------	-----	-----------	---------	----------	---------	-------

FORD (continuação)						
MONDEO	01 /	PD/586		PD/599		
PAMPA 4x2	81 / 83	PD/10 PD/18	Bendix Teves	CB/40	Varga	
PAMPA 4x2	84 / 97	PD/22 PD/22-B	Varga	CB/40	Varga	
PAMPA 4x4	84 / 95	PD/22 PD/22-B	Varga	CB/42		
PICK-UP	58 / 61	1219		1219		
PICK-UP F-75	62 / 83	2006-T	Bendix	2006-T	Bendix	
RANGER	93 / 95	PD/374	Bendix	FD/100-CP		Freio traseiro Ø228x47mm
RANGER	95 / 98	PD/332	Bendix	FD/150-CP	Bendix	
RANGER	98 / 05	PD/332	Bendix	FD/137-CP		
RANGER	05 /	PD/332	Bendix	CB/51 CB/51-CP	Bosch	
RANGER 4x4	10-07 /	PD/365	Bosch	CB/51 CB/51-CP	Bosch	com ABS
ROYALE	92 / 94	PD/28	Teves	VW/276	VW	
ROYALE	94 / 96	PD/44 PD/44-B PD/45	Teves Teves Varga	VW/276	VW	
RURAL	58 / 77	1219		1219		
SCALA	84 / 88	PD/22 PD/22-B	Varga	FD/65 FD/66	Bendix Varga	
TAURUS	94 / 02	PD/389	Girling	PD/696		
TAURUS SW	91 / 95	PD/389	Girling	PD/696		
VERONA	89 / 93	PD/24 PD/24-A PD/24-B	Teves	FD/64-S/F FD/64-CPA	Varga	
VERONA 1.6	94 / 96	PD/35	Bendix	FD/63-S/F FD/126-CPA	Varga	
VERONA 1.8	93 / 96	PD/34	Teves	FD/63-S/F FD/126-CPA	Varga	
VERONA 1.8	94 / 96	PD/35	Bendix	FD/63-S/F FD/126-CPA	Varga	
VERONA 2.0	93 / 96	PD/34	Teves	FD/63-S/F FD/126-CPA	Varga	
VERONA 2.0i	93 / 96	PD/39	Teves	PD/36	Teves	
VERSAILLES	91 / 94	PD/28	Teves	VW/276	VW	
VERSAILLES	94 / 96	PD/44 PD/44-B PD/45	Teves Teves Varga	VW/276	VW	
TRANSIT FURGÃO 3330 2.4	06 /	PD/1028-B	Knorr	PD/1029-A	Knorr	
TRANSIT FURGÃO 3350 2.4	06 /	PD/1028-B	Knorr	PD/1029-A	Knorr	
TRANSIT VAN 3550 2.4	06 /	PD/1028-B	Knorr	PD/1029-A	Knorr	
WINDSTAR	95 / 99			PD/560		
WINDSTAR	99 / 03	PD/575		PD/560		

GENERAL MOTORS						
A-10	79 / 8-80	PD/19-C	Bendix	2006-T	Bendix	
A-10	85 / 94	PD/19-C	Bendix	2080-T	Bendix	4 e 6 Cil.
A-14	9-80 / 85	PD/19-C	Bendix	2006-T	Bendix	4 Cil.
A-20	85 / 93	PD/19-C	Bendix	2080-T	Bendix	4 e 6 Cil.
A-20	93 / 94	PD/105	Bendix	CB/52		4 e 6 Cil.

MARCA / MODELO	Ano	Dianteira	Sistema	Traseira	Sistema	Obs.:
----------------	-----	-----------	---------	----------	---------	-------

GENERAL MOTORS (continuação)						
A-20	94 / 97	PD/106	Bendix	CB/52		
A-40	85 / 96	PD/103	Teves	FD/72	Bendix	
A-60	81 / 85	VW/256	Bendix	VW/257	Bendix	Est. 2095
AGILE LTZ FLEX 1.4	09 / 11-09	PD/42	Teves	CB/49 CB/49-CPA	Varga	Pistão de Ferro Fundido
AGILE LTZ FLEX 1.4	12-09 /	PD/82	Teves	CB/49 CB/49-CPA	Varga	Pistão de Aço
ASTRA 1.8	99 /	PD/57	Teves	CB/46-CP	Bosch	Aro 14"
ASTRA 1.8 (Aro 14")	99 /	PD/57	Teves	PD/38	Teves	Freio de mão CB/175-CP
ASTRA 2.0	95 / 98	PD/52	Teves			
ASTRA 2.0 16 V	01 / 02-10	PD/72	Teves	PD/38	Teves	Freio de mão CB/175-CP
ASTRA 2.0 16 V	01 / 02-10	PD/72	Teves	CB/46-CP	Bosch	
ASTRA 2.0 16 V	03-10 /	PD/93	Teves	PD/38	Teves	Freio de mão CB/175-CP
ASTRA 2.0 16 V	03-10 /	PD/93	Teves	CB/46-CP	Bosch	
ASTRA 2.0 8V	99 /	PD/57	Teves	CB/46-CP	Bosch	Aro 14"
ASTRA 2.0 8V (Aro 14")	99 /	PD/57	Teves	PD/38	Teves	Freio de mão CB/175-CP
ASTRA SW 2.0	95 / 98	PD/52	Teves			
ASTRO	03 / 05	PD/572				
AVALANCHE 1500	02	PD/572				
AVALANCHE 1500 4WD	03 / 06	PD/572				
AVALANCHE 1500 RWD	03 / 06	PD/572				
AVALANCHE 2500	02 / 06	PD/571		PD/572		
BLAZER 4x2 Cap.1000 kg	95 /	PD/107	Varga	CB/51 CB/51-CP	Bosch	Roda 6 furos
BLAZER 4x2 Cap.750 kg	95 /	PD/107	Varga	CB/132-CP	Bendix	Roda 5 furos
BLAZER 4x4 Cap.1000 kg	97 / 08-05	PD/110	Delphi	CB/51 CB/51-CP	Bosch	Roda 6 furos
BLAZER 4x4 Cap.1000 kg	09-05 /	PD/107	Varga	CB/51 CB/51-CP	Bosch	Roda 6 furos
BLAZER 4x4 Cap.750 kg	97 / 08-05	PD/110	Delphi	CB/132-CP	Bendix	Roda 5 furos
BLAZER 4x4 Cap.750 kg	09-05 /	PD/107	Varga	CB/132-CP	Bendix	Roda 5 furos
BONANZA	90 / 94	PD/19-C	Bendix	2080-T	Bendix	4 e 6 Cil.
BONANZA	94 / 97	PD/106	Bendix	CB/52		
C-10	64 / 78	2006-T	Bendix	2006-T	Bendix	
C-10	79 / 8-80	PD/19-C	Bendix	2006-T	Bendix	
C-10	85 / 94	PD/19-C	Bendix	2080-T	Bendix	4 e 6 Cil.
C-14	64 / 78	2006-T	Bendix	2006-T	Bendix	
C-14	9-80 / 85	PD/19-C	Bendix	2006-T	Bendix	4 e 6 Cil.
C-15	64 / 78	2006-T	Bendix	2006-T	Bendix	
C-20	85 / 93	PD/19-C	Bendix	2080-T	Bendix	4 e 6 Cil.
C-20	93 / 94	PD/105	Bendix	CB/52		4 e 6 Cil.
C-20	94 / 97	PD/106	Bendix	CB/52		
C-40	85 / 96	PD/103	Teves	FD/72	Bendix	
C-60	64 / 71	2039		CB/36		
C-60	81 / 85	VW/256	Bendix	VW/257	Bendix	Est. 2095
C-60	72 / 79	FD/74	Bendix	FD/75	Bendix	Est. 2095
C-60	80 / 81	FD/82	Bendix	FD/75	Bendix	Est. 2095

MARCA / MODELO	Ano	Dianteira	Sistema	Traseira	Sistema	Obs.:
----------------	-----	-----------	---------	----------	---------	-------

GENERAL MOTORS (continuação)						
CAMINHÃO SÉRIE 6403	60 / 64	2039		2032		
CAMINHÃO SÉRIE 6503	60 / 64	2039		2032		
CAPTIVA 2.4 4X2	09 /	PD/711	Mando	PD/715	Akebono	Freio de mão CB/177-CP
CAPTIVA 3.6 4X2	09 /	PD/711	Mando	PD/715	Akebono	Freio de mão CB/177-CP
CAPTIVA 3.6 4X4	09 /	PD/711	Mando	PD/715	Akebono	Freio de mão CB/177-CP
CARAVAN	75 / 76	PD/7	Varga	855	Varga	
CARAVAN	77 / 92	PD/8	Varga	855	Varga	
CARAVAN	79 / 92	PD/11	Teves	855	Varga	
CARAVAN	80 / 83	PD/8 PD/11	Varga Teves	CB/48	Bendix	
CELTA 1.0	00 / 11-09	PD/42	Teves	FD/61-S/F FD/61-CPA	Varga	
CELTA 1.0	12-09 /	PD/82	Teves	FD/61-S/F FD/61-CPA	Varga	
CELTA 1.4	00 / 11-09	PD/42	Teves	FD/61-S/F FD/61-CPA	Varga	
CELTA 1.4	12-09 /	PD/82	Teves	FD/61-S/F FD/61-CPA	Varga	
CHEVETTE	73 / 74	CB/42		CB/43		
CHEVETTE	73 / 78	PD/6	Teves	CB/43		
CHEVETTE	79 / 85	PD/6	Teves	CB/47		
CHEVETTE	79 / 93	PD/6	Teves	CB/40	Varga	
CHEVETTE JUNIOR	92 / 93	PD/6	Teves	CB/40	Varga	
CHEVY-4	76 / 78	2006-T	Bendix	2006-T	Bendix	
CHEVY-500	83 / 85	PD/6	Teves	CB/47		
CHEVY-500	83 / 93	PD/6	Teves	CB/40	Varga	
COBALT LS 1.4 8V	12 /	PD/94	Teves			sem ABS
COBALT LT 1.4 8V	12 /	PD/94	Teves			sem ABS
COBALT LT 1.8 8V	12 /	PD/94	Teves			sem ABS
COBALT LTZ 1.4 8V	12 /	PD/94	Teves			sem ABS
COBALT LTZ 1.8 8V	12 /	PD/94	Teves			sem ABS
ONIX LZ 1.0 8V	12 /	PD/94	Teves			
ONIX LT 1.0 8V	12 /	PD/94	Teves			
ONIX LT 1.4 8V	12 /	PD/94	Teves			
ONIX LTZ 1.4 8V	12 /	PD/94	Teves			
COMODORO	75 / 76	PD/7	Varga	855	Varga	
COMODORO	77 / 92	PD/8	Varga	855	Varga	
COMODORO	79 / 92	PD/11	Teves	855	Varga	
COMODORO	80 / 83	PD/8 PD/11	Varga Teves	CB/48	Bendix	
CORSA 1.0	94 / 00	PD/42	Teves	CB/49 CB/49-CPA	Varga	
CORSA 1.0	96 / 00	PD/54	Varga	CB/49 CB/49-CPA	Varga	
CORSA 1.0	01 / 11-09	PD/42	Teves	CB/55		
CORSA 1.0	12-09 /	PD/82	Teves	CB/55		
CORSA 1.0	02 /	PD/46	TRW	CB/46-CP		

MARCA / MODELO	Ano	Dianteira	Sistema	Traseira	Sistema	Obs.:
----------------	-----	-----------	---------	----------	---------	-------

GENERAL MOTORS (continuação)						
CORSA 1.0 (Novo)	02 /	PD/46	TRW	CB/49 CB/49-CPA	Varga	
CORSA 1.4	96 / 99	PD/54	Varga	CB/49 CB/49-CPA	Varga	
CORSA 1.4	12-09 /	PD/82	Teves	CB/49 CB/49-CPA	Varga	
CORSA 1.4	94 / 11-09	PD/42	Teves	CB/49 CB/49-CPA	Varga	
CORSA 1.6	94 / 11-09	PD/42	Teves	CB/49 CB/49-CPA	Varga	
CORSA 1.6	12-09 /	PD/82	Teves	CB/49 CB/49-CPA	Varga	
CORSA 1.6	96 / 00	PD/54	Varga	CB/49 CB/49-CPA	Varga	
CORSA 1.6	01 / 02	PD/42 PD/54	Teves Varga	CB/55		
CORSA 1.8 (Novo)	02 /	PD/46	TRW	CB/49 CB/49-CPA	Varga	
CORSA CLASSIC	02 / 11-09	PD/42	Teves	CB/49 CB/49-CPA	Varga	
CORSA CLASSIC	12-09 /	PD/82	Teves	CB/49 CB/49-CPA	Varga	
CORSA PICK-UP 1.6	95 / 11-09	PD/42	Teves	CB/41	Teves	
CORSA PICK-UP 1.6	12-09 /	PD/82	Teves	CB/41	Teves	
CORSA PICK-UP 1.6	96 /	PD/54	Varga	CB/41	Teves	
CRUZE LT 1.8 16V	12 /	PD/1101	Bosch	PD/1102	Bosch	
CRUZE LTZ 1.8 16V	12 /	PD/1101	Bosch	PD/1102	Bosch	
D-10	79 / 8-80	PD/19-C	Bendix	2006-T	Bendix	
D-10	85 / 94	PD/19-C	Bendix	2080-T	Bendix	4 e 6 Cil.
D-11.000	85 / 87	VW/256	Bendix	VW/257	Bendix	
D-11.000	85 / 96	CB/53	Bendix	CB/54	Bendix	
D-12.000	87 / 96	VW/256 CB/53	Bendix	VW/257 CB/54	Bendix	
D-13.000	85 / 87	CB/53	Bendix	CB/54	Bendix	
D-14	9-80 / 85	PD/19-C	Bendix	2006-T	Bendix	4 Cil.
D-14.000	87 / 96	CB/53	Bendix	CB/54	Bendix	
D-15	9-80 / 85	PD/19-C	Bendix	2006-T	Bendix	4 Cil.
D-19.000	85 / 90	CB/53	Bendix	CB/54	Bendix	3° eixo CB/54
D-20	93 / 96			CB/57-CP		Freio traseiro Ø330,2x65,0mm
D-20	85 / 93	PD/19-C	Bendix	2080-T	Bendix	4 e 6 Cil.
D-20	93 / 94	PD/105	Bendix	CB/52		4 e 6 Cil.
D-20	94 / 97	PD/106	Bendix	CB/52		
D-21.000	86 / 90	CB/53	Bendix	CB/54	Bendix	3° eixo CB/54
D-22.000	85 / 90	CB/53	Bendix	CB/54	Bendix	3° eixo CB/54
D-40	85 / 96	PD/103	Teves	FD/72	Bendix	
D-60	64 / 71	2039		CB/36		
D-60	81 / 85	VW/256	Bendix	VW/257	Bendix	Est. 2095
D-60	72 / 79	FD/74	Bendix	FD/75	Bendix	Est. 2095
D-60	80 / 81	FD/82	Bendix	FD/75	Bendix	Est. 2095
D-70	70 / 85	659-B		4514-F	Bendix	Est. 2095

MARCA / MODELO	Ano	Dianteira	Sistema	Traseira	Sistema	Obs.:
----------------	-----	-----------	---------	----------	---------	-------

GENERAL MOTORS (continuação)						
D-70	76 / 85	659-B		4514-F	Bendix	Est. 2095
D-70	85	CB/53	Bendix	CB/54	Bendix	
D-80	82 / 85	659-B		4514-F	Bendix	Est. 2095
D-80	85	CB/53	Bendix	CB/54	Bendix	
DIPLOMATA	77 / 92	PD/8	Varga	855	Varga	
DIPLOMATA	79 / 92	PD/11	Teves	855	Varga	
DIPLOMATA	80 / 83	PD/8 PD/11	Varga Teves	CB/48	Bendix	
EXPRESS 1.0	/ 98			RN/215-CP		Freio traseiro Ø180,0x42,0mm
EXPRESS 1.4	/ 98			RN/216-CP		Freio traseiro Ø203,0x39,0mm
EXPRESS 1.6	/ 98			RN/216-CP		Freio traseiro Ø203,0x39,0mm
EXPRESS 1500	03 /	PD/572				
EXPRESS 2.0	/ 98			RN/216-CP		Freio traseiro Ø203,0x39,0mm
EXPRESS 2500	03 /	PD/572				
EXPRESS 2500	03 /	PD/571				
EXPRESS 3500	03 /	PD/571				
IPANEMA 1.8	90 / 93	PD/22 PD/22-B	Varga	CB/40	Varga	
IPANEMA 1.8	93 / 96	PD/22 PD/22-B	Varga	CB/41	Teves	
IPANEMA 1.8	96 / 97	PD/54	Varga	CB/41	Teves	
IPANEMA 2.0	90 / 93	PD/22 PD/22-B	Varga	CB/40	Varga	
IPANEMA 2.0	93 / 96	PD/22 PD/22-B	Varga	CB/41	Teves	
IPANEMA 2.0	96 / 97	PD/54	Varga	CB/41	Teves	
KADETT 1.8	89 / 93	PD/22 PD/22-B	Varga	CB/40	Varga	
KADETT 1.8	93 / 96	PD/22 PD/22-B	Varga	CB/41	Teves	
KADETT 1.8	96 / 97	PD/54	Varga	CB/41	Teves	
KADETT 2.0	96 / 98	PD/54	Varga	CB/41	Teves	
KADETT GSI	92 / 95	PD/22 PD/22-B	Varga	PD/50	Varga	
MARAJÓ	81 / 85	PD/6	Teves	CB/47		
MARAJÓ	81 / 89	PD/6	Teves	CB/40	Varga	
MERIVA 1.4	10 /	PD/84	Teves	CB/46-CP	Bosch	Aro 14"
MERIVA 1.8	02 / 02-10	PD/72	Teves	PD/38	Teves	Freio de mão CB/175-CP
MERIVA 1.8	03-10 /	PD/93	Teves	PD/38	Teves	Freio de mão CB/175-CP
MERIVA 1.8	02 / 03-10	PD/77	Teves	CB/46-CP	Bosch	Aro 14"
MERIVA 1.8	04-10 /	PD/84	Teves	CB/46-CP	Bosch	Aro 14"
MONTANA 1.8	03 /	PD/46	TRW	CB/46-CP	Bosch	
MONTANA 1.4 8V ARENA	10 / 10	PD/46	TRW	CB/46-CP	Bosch	
MONTANA 1.4 8V COMBO	08 / 10	PD/46	TRW	CB/46-CP	Bosch	
MONTANA 1.4 8V CONQUEST	08 / 10	PD/46	TRW	CB/46-CP	Bosch	

MARCA / MODELO	Ano	Dianteira	Sistema	Traseira	Sistema	Obs.:
----------------	-----	-----------	---------	----------	---------	-------

GENERAL MOTORS (continuação)						
MONTANA 1.4 8V SPORT	10 / 10	PD/46	TRW	CB/46-CP	Bosch	
MONTANA LS 1.4 8V	10 /	PD/82	Teves			
MONTANA SPORT 1.4 8V	10 /	PD/82	Teves			
MONZA 1.6	82 / 86	PD/22 PD/22-B	Varga	CB/40	Varga	
MONZA 1.8	84 / 93	PD/22 PD/22-B	Varga	CB/40	Varga	
MONZA 1.8	93 / 94	PD/22 PD/22-B	Varga	CB/41	Teves	
MONZA 2.0	86 / 93	PD/22 PD/22-B	Varga	CB/40	Varga	
MONZA 2.0	93 / 96	PD/22 PD/22-B	Varga	CB/41	Teves	
MONZA 2.0 EFI	92 / 96	PD/22 PD/22-B	Varga	PD/50	Varga	
OMEGA CD 3.0	92 / 95	PD/40	Varga	PD/38	Teves	Freio de mão CB/175-CP
OMEGA CD 3.8 V6 (Australiano)	99 /	PD/436	Girling	PD/437	Girling	
OMEGA V6 3.6	06 /	PD/436	Girling			
OMEGA CD 4.1	94 / 98	PD/40	Varga	PD/38	Teves	Freio de mão CB/175-CP
OMEGA GL 2.0	93 / 95	PD/37	Teves	PD/38	Teves	Freio de mão CB/175-CP
OMEGA GL 2.2	94 / 95	PD/37	Teves	PD/38	Teves	Freio de mão CB/175-CP
OMEGA GLS 2.0	92 / 95	PD/37	Teves	PD/38	Teves	Freio de mão CB/175-CP
OMEGA GLS 2.2	94 / 95	PD/37	Teves	PD/38	Teves	Freio de mão CB/175-CP
OMEGA GLS 2.2	95 / 98	PD/52	Teves	PD/38	Teves	Freio de mão CB/175-CP
OPALA	69 / 73	CB/39		CB/38		4 e 6 Cil.
OPALA	73 / 76	PD/7	Varga	855	Varga	
OPALA	77 / 92	PD/8	Varga	855	Varga	
OPALA	79 / 92	PD/11	Teves	855	Varga	
OPALA	80 / 83	PD/8 PD/11	Varga Teves	CB/48	Bendix	
PICK UP - SÉRIE 3100	56 / 63	2006				
PICK-UP C-10/1000	79 / 85	PD/19-C	Bendix	2080-T	Bendix	
PICK-UP C-14/1000	79 / 85	PD/19-C	Bendix	2080-T	Bendix	
PICK-UP C-15/1000	79 / 85	PD/19-C	Bendix	2080-T	Bendix	
PICK-UP D-10/1000	79 / 85	PD/19-C	Bendix	2080-T	Bendix	
PICK-UP D-14/1000	79 / 85	PD/19-C	Bendix	2080-T	Bendix	
PICK-UP D-15/1000	79 / 85	PD/19-C	Bendix	2080-T	Bendix	
PRISMA 1.4 8V	07 / 11-09	PD/42	Teves	FD/61-S/F FD/61-CPA	Varga	
PRISMA 1.4 8V	12-09 /	PD/82	Teves	FD/61-S/F FD/61-CPA	Varga	
S-10 4x2	95 /	PD/107	Varga	CB/51 CB/51-CP	Bosch	Roda 6 furos
S-10 4x2	95 /	PD/107	Varga	CB/132-CP	Bendix	Roda 5 furos

MARCA / MODELO	Ano	Dianteira	Sistema	Traseira	Sistema	Obs.:
----------------	-----	-----------	---------	----------	---------	-------

GENERAL MOTORS (continuação)						
S-10 4x4	97 / 08-05	PD/110	Delphi	CB/51 CB/51-CP	Bosch	Roda 6 furos
S-10 4x4	09-05 /	PD/107	Varga	CB/51 CB/51-CP	Bosch	Roda 6 furos
SILVERADO	97 / 01			CB/57-CP		Freio traseiro Ø330,2x65,0mm
SILVERADO	97 / 99	PD/106	Bendix	CB/52		
SILVERADO 1500	99 / 07	PD/572				Americana
SILVERADO 1500	01 /	PD/571				Americana
SILVERADO 1500	00 / 01	PD/572		PD/572		Americana
SILVERADO 1500 HD	01 / 07	PD/571		PD/572		Americana
SILVERADO 2500	99 / 04	PD/571		PD/572		Americana
SILVERADO 2500 HD	01 /	PD/571		PD/572		Americana
SILVERADO 3500	01 / 04	PD/571				Americana
SILVERADO 3500	04 /	PD/571		PD/572		Americana
SILVERADO 3500 HD - PBT 12000	07 /	PD/571				Americana
SILVERADO SS	03 / 06	PD/572				Americana
SIVERADO HD Turbo	99 /	PD/113	Bosch	CB/52		
SUBURBAN 1500	00 / 06	PD/572				
SUBURBAN 2500	00 /	PD/571		PD/572		
SUPREMA CD 3.0	93 / 95	PD/40	Varga	PD/38	Teves	
SUPREMA CD 4.1	94 / 97	PD/40	Varga	PD/38	Teves	
SUPREMA GL 2.0	93 / 94	PD/37	Teves	PD/38	Teves	
SUPREMA GLS 2.0	93 / 95	PD/37	Teves	PD/38	Teves	
SUPREMA GLS 2.2	94 / 95	PD/37	Teves	PD/38	Teves	
SUPREMA GLS 2.2	96 / 97	PD/52	Teves	PD/38	Teves	
SUPREMA GLS 4.1	94 / 97	PD/40	Varga	PD/38	Teves	
TAHOE	00 / 06	PD/572				
TIGRA 1.4 1.6 16V	94 /	PD/42	Teves			
TRACKER 5P 2.0 TD 4x4	01 /	PD/432	Sumitomo	CB/176-CP		
VECTRA 2.4	06 / 02-10	PD/72	Teves	PD/38	Teves	Freio de mão CB/175-CP
VECTRA 2.4	03-10 /	PD/93	Teves	PD/38	Teves	Freio de mão CB/175-CP
VECTRA CD 2.0	93 / 96	PD/37	Teves	PD/41	Teves	Freio de mão CB/175-CP
VECTRA CD 2.0	02 / 02-10	PD/72	Teves	PD/38	Teves	Freio de mão CB/175-CP
VECTRA CD 2.0	03-10 /	PD/93	Teves	PD/38	Teves	Freio de mão CB/175-CP
VECTRA CD 2.0 16V	96 / 98	PD/61	Teves	PD/38	Teves	Freio de mão CB/175-CP
VECTRA CD 2.2 16V	96 / 97	PD/52	Teves	PD/38	Teves	Freio de mão CB/175-CP
VECTRA CD 2.2 16V	98 /	PD/61	Teves	PD/38	Teves	Freio de mão CB/175-CP
VECTRA CD 2.2 16V (aro 15")	02 / 02-10	PD/72	Teves	PD/38	Teves	Freio de mão CB/175-CP
VECTRA CD 2.2 16V (aro 15")	03-10 /	PD/93	Teves	PD/38	Teves	Freio de mão CB/175-CP

MARCA / MODELO	Ano	Dianteira	Sistema	Traseira	Sistema	Obs.:
----------------	-----	-----------	---------	----------	---------	-------

GENERAL MOTORS (continuação)						
VECTRA GL 2.0	97 /	PD/52	Teves	PD/38	Teves	Freio de mão CB/175-CP
VECTRA GL 2.0	97 /	PD/52	Teves	CB/46-CP	Bosch	
VECTRA GL 2.2	97 /	PD/52	Teves	PD/38	Teves	Freio de mão CB/175-CP
VECTRA GL 2.2	97 /	PD/52	Teves	CB/46-CP	Bosch	
VECTRA GLS 2.0	93 / 96	PD/37	Teves	PD/41	Teves	Freio de mão CB/175-CP
VECTRA GLS 2.0	97 /	PD/52	Teves	PD/38	Teves	Freio de mão CB/175-CP
VECTRA GLS 2.0	97 /	PD/52	Teves	CB/46-CP	Bosch	
VECTRA GLS 2.0	02 / 02-10	PD/72	Teves	CB/46-CP	Bosch	
VECTRA GLS 2.0	03-10 /	PD/93	Teves	CB/46-CP	Bosch	
VECTRA GLS 2.2	93 / 96	PD/37	Teves	PD/41	Teves	Freio de mão CB/175-CP
VECTRA GLS 2.2	97 /	PD/52	Teves	PD/38	Teves	Freio de mão CB/175-CP
VECTRA GLS 2.2	97 /	PD/52	Teves	CB/46-CP	Bosch	
VECTRA GLS 2.2 16V	93 / 96	PD/37	Teves	PD/41	Teves	Freio de mão CB/175-CP
VECTRA GLS 2.2 16V	99 /	PD/61	Teves	PD/38	Teves	Freio de mão CB/175-CP
VECTRA GLS 2.2 16V	99 /	PD/61	Teves	CB/46-CP	Bosch	
VECTRA GSI 2.0 16V	93 / 96	PD/37	Teves	PD/41	Teves	Freio de mão CB/175-CP
VECTRA GT	07 / 02-10	PD/72	Teves	PD/38	Teves	Freio de mão CB/175-CP
VECTRA GTX	07 / 02-10	PD/72	Teves	PD/38	Teves	Freio de mão CB/175-CP
VECTRA GT	03-10 /	PD/93	Teves	PD/38	Teves	Freio de mão CB/175-CP
VECTRA GTX	03-10 /	PD/93	Teves	PD/38	Teves	Freio de mão CB/175-CP
VERANEIO	64 / 78	2006-T	Bendix	2006-T	Bendix	
VERANEIO	79 / 94	PD/19-C	Bendix	2080-T	Bendix	4 e 6 Cil.
VERANEIO	94 / 97	PD/106	Bendix	CB/52	Bendix	
ZAFIRA 2.0 16V	01 / 02-10	PD/72	Teves	PD/38	Teves	Freio de mão CB/175-CP
ZAFIRA 2.0 8V	01 / 02-10	PD/72	Teves	PD/38	Teves	Freio de mão CB/175-CP
ZAFIRA 2.0 16V	03-10 /	PD/93	Teves	PD/38	Teves	Freio de mão CB/175-CP
ZAFIRA 2.0 8V	03-10 /	PD/93	Teves	PD/38	Teves	Freio de mão CB/175-CP
ZAFIRA 2.0 8V	02 / 12-09	PD/77	Teves			Aro 14"
ZAFIRA 2.0 8V	10 /	PD/84	Teves			Aro 14"

GMC						
GMC 6.000	93 / 96	PD/103	Teves	FD/72	Bendix	
GMC 6.100	96 / 01	PD/103	Teves	FD/72	Bendix	
GMC 6.150	96 / 01	PD/103	Teves	FD/72	Bendix	

MARCA / MODELO	Ano	Dianteira	Sistema	Traseira	Sistema	Obs.:
----------------	-----	-----------	---------	----------	---------	-------

GMC (continuação)						
GMC 12-170	97	FD/86	Master	4707	Master	
GMC 12-170	98 /	FD/83	Bendix	FD/84	Bendix	
GMC 14-190	97	FD/86	Master	4707	Master	
GMC 14-190	98 /	FD/83	Bendix	FD/84	Bendix	
GMC 15-190	97 / 98	FD/86	Master	4707	Master	
GMC 15-190	98 /	FD/85	Bendix	FD/84	Bendix	
GMC 16-220	97	4524-B	Master	4707	Master	
GMC 16-220	98 /	FD/83	Bendix	FD/84	Bendix	
SAFARI	03 / 05	PD/572				
SAVANA 1500	03 /	PD/572				
SAVANA 2500	03 / 05	PD/572				
SAVANA 2500	03 /	PD/571				
SAVANA 3500	03 /	PD/571				
SIERRA 1500	99 / 07	PD/572				
SIERRA 1500	00 / 03	PD/571		PD/572		
SIERRA 1500 HD	01 / 07	PD/571		PD/572		
SIERRA 2500	99 / 04	PD/571		PD/572		
SIERRA 2500 HD	01 /	PD/571		PD/572		
SIERRA 2500 HD	01 / 06	PD/572		PD/572		
SIERRA 3500	01 / 07	PD/571				
SIERRA 3500	04 /			PD/572		
SIERRA 3500	05 / 07	PD/571		PD/572		
SIERRA 3500 HD	07 /	PD/571				PBT 12000
SIERRA 3500 HD	07 /	PD/571		PD/572		PBT 9900
SIERRA C3	01	PD/572				
SIERRA DENALI	02 / 03	PD/572				
SIERRA DENALI	04 / 05	PD/572		PD/572		
SIERRA DENALI	06	PD/572				
TERRAIN	10 /			PD/715	Akebono	
YUKON	00 / 06	PD/572				
YUKON XL 1500	00 / 06	PD/572				
YUKON XL 2500	00 /	PD/571		PD/572		

GOLIVE						
CARRETA	79 /			CA/32	Master	3 eixos
CARRETA	79 /			4515-C		2 eixos

GOTTI						
CARRETA	68 / 99			SV/223		
CARRETA	00 /			4710 CA/33	Master	

GRAHL						
3° EIXO	Todos			4195-B		
CARRETA	Todos			SV/223 SV/226		

MARCA / MODELO	Ano	Dianteira	Sistema	Traseira	Sistema	Obs.:
----------------	-----	-----------	---------	----------	---------	-------

GUERRA						
3º EIXO	65 / 78			4195-B		
3º EIXO	79 / 93			4514-F 4515-C CA/32	Bendix - Master	
3º EIXO	93 /			FD/88	Master	
CARRETA	65 / 78			SV/223 SV/226		
CARRETA	79 / 99			CA/32	Master	
CARRETA	95 /			FD/81	Knorr	
CARRETA	00 /			4710 CA/33	Master	

GURGEL						
BR800	88 /	PD/17	Teves	CB/40	Varga	
CARAJÁS	Todos	PD/13	Teves	VW/275	VW	
G15	79 /	VW/270	VW	VW/271	VW	
G800	79 /	VW/270	VW	VW/271	VW	
ITAIPÚ	79 /	VW/270	VW	VW/271	VW	
TOCANTINS	Todos	PD/13	Teves	VW/275	VW	
X12	/ 80	VW/262	VW	VW/262	VW	
X12	81 /	PD/5	Teves	VW/272	VW	
X15	79 /	VW/270	VW	VW/271	VW	
XEF	81 /	PD/5	Teves	VW/272	VW	

HONDA						
ACCORD	99 / 02	PD/717				
ACCORD	02 /	PD/644		PD/554		
ACCORD 1.9i	96 / 98	PD/449	Akebono			
ACCORD 2.0 16V	90 / 93	PD/397	Akebono			
ACCORD 2.0 CB	89 /	PD/388	Akebono	HO/333-CP		
ACCORD 2.0 ES	96 / 98	PD/449	Akebono			
ACCORD 2.0 Tdi	96 / 98	PD/449	Akebono			
ACCORD 2.2i Vtec	96 / 98	PD/449	Akebono			
ACCORD 2.3	93 /	PD/388	Akebono			
ACCORD AERODECK 2.0	89 / 98	PD/388	Akebono	PD/444	Akebono	
ACCORD AERODECK 2.0 16V LSi	93 / 98	PD/449	Akebono			
ACCORD AERODECK 2.2	90 / 98			PD/444	Akebono	
ACCORD AERODECK 2.2 ES	93 / 98	PD/449	Akebono			
ACCORD AERODECK 2.2i	90 / 98			PD/444	Akebono	
ACCORD COUPÉ	93 / 98	PD/717				
ACCORD COUPÉ	94 / 99			PD/554		
ACCORD COUPÉ 2.0 16V	92 / 98	PD/397	Akebono			
ACCORD COUPÉ 2.0 16V	98 /	PD/449	Akebono			
ACCORD COUPÉ 3.0 V6 24V	98 /	PD/449	Akebono			
ACCORD IV 2.0 16V EX	90 / 95			PD/444	Akebono	
ACCORD IV 2.2	89 / 92			PD/444	Akebono	
ACCORD IV 2.2i 16V EX	89 / 92			PD/444	Akebono	
ACCORD IV 2.2i 16V LX	89 / 92			PD/444	Akebono	
ACCORD V 2.0	95 / 98			PD/444	Akebono	
ACCORD V 2.2	95 / 98			PD/444	Akebono	
ACCORD VI 1.9	96 / 98			PD/444	Akebono	

MARCA / MODELO	Ano	Dianteira	Sistema	Traseira	Sistema	Obs.:
----------------	-----	-----------	---------	----------	---------	-------

HONDA (continuação)						
ACCORD VI 2.0	96 / 98			PD/444	Akebono	
CITY	09 /	PD/685	Teves			
CIVIC	96 / 05	PD/563				
CIVIC 1.3 EX	82 / 92	PD/386	Akebono	HO/332-CP	Akebono	
CIVIC 1.3 LS	82 / 92	PD/386	Akebono	HO/332-CP	Akebono	
CIVIC 1.4 EX	82 / 92	PD/386	Akebono	HO/332-CP	Akebono	
CIVIC 1.4 LS	82 / 92	PD/386	Akebono	HO/332-CP	Akebono	
CIVIC 1.5 EX	82 / 92	PD/386	Akebono	HO/332-CP	Akebono	
CIVIC 1.5 LS	82 / 92	PD/386	Akebono	HO/332-CP	Akebono	
CIVIC 1.6 EX	82 / 92	PD/386	Akebono	HO/332-CP	Akebono	
CIVIC 1.6 LS	82 / 92	PD/386	Akebono	HO/332-CP	Akebono	
CIVIC 150i	96 /			PD/398	Akebono	
CIVIC 160i	96 /			PD/398	Akebono	
CIVIC 160i Vtec	96 /			PD/398	Akebono	
CIVIC 1.3 16V	91 / 95	PD/404	Akebono	HO/333-CP		
CIVIC 1.4i	95 / 01	PD/404	Akebono	HO/333-CP		
CIVIC 1.5 16V	91 / 95	PD/404	Akebono	HO/333-CP		
CIVIC 1.5 VTEC	96 / 01	PD/493	Akebono			sem ABS
CIVIC 1.5i 16V LS COUPÉ	94 / 96	PD/493	Akebono			
CIVIC 1.6i DR	93 /			PD/398	Akebono	
CIVIC 1.6 16V Vtec	91 / 95	PD/404	Akebono	HO/333-CP		
CIVIC 1.6i 16V ES	92 / 96	PD/493	Akebono	PD/398	Akebono	sem ABS
CIVIC 1.6i 16V ESi	92 / 95			PD/398	Akebono	
CIVIC 1.6i 16V LS COUPÉ	92 / 96	PD/493	Akebono			sem ABS
CIVIC 1.6i 16V VT	94 / 96	PD/493	Akebono	PD/398	Akebono	
CIVIC 1.6i 16V VTEC	94 / 96	PD/493	Akebono			
CIVIC AERODECK 1.8 16V	98 / 01	PD/449	Akebono			
CIVIC COUPE 1.5i LSi	94 / 95	PD/404	Akebono			
CIVIC COUPE 1.6i	94 / 95	PD/404	Akebono			
CIVIC DX	91 / 96	PD/386	Akebono			Importado
CIVIC 1.3 DX	91 / 96			PD/398	Akebono	
CIVIC 1.5i 16V DX	91 / 96			PD/398	Akebono	
CIVIC EX	97 / 98	PD/493	Akebono			
CIVIC EX 1.6 16V	99 / 00	PD/71	Varga	HO/173-CPA		
CIVIC EX 1.7 16V	01 / 06	PD/71	Varga	HO/173-CPA		
CIVIC LX	91 / 96	PD/386	Akebono	HO/333-CP		Importado
CIVIC LX	97 / 98	PD/493	Akebono	HO/333-CP		
CIVIC LX 1.6 16V	99 / 00	PD/71	Varga	HO/173-CPA		
CIVIC LX 1.7 16V	01 / 06	PD/71	Varga	HO/173-CPA		
CIVIC LXB 1.6 16V	99 / 00	PD/71	Varga	HO/173-CPA		
CIVIC LXB 1.7 16V	01 / 06	PD/71	Varga	HO/173-CPA		
CIVIC LXS	07 /	PD/71	Varga	PD/554		
CIVIC V AERODECK 1.8	98 /			PD/444	Akebono	
CIVIC SI 2.0 16V	07 /	PD/1052	Akebono	PD/554	Akebono	
CIVIC EXS	07 /	PD/71	Varga	PD/554		
CR-V 2.0 16V	95 / 02	PD/449	Akebono			
CR-V	02 / 06	PD/644	Akebono			
CR-V	03	PD/644	Akebono	PD/554		
CR-V	05 / 06	PD/644	Akebono	PD/645	Akebono	
CR-V EX	07 /	PD/809	Sumitomo			
CR-V EXL	08 /	PD/809	Sumitomo			

MARCA / MODELO	Ano	Dianteira	Sistema	Traseira	Sistema	Obs.:
----------------	-----	-----------	---------	----------	---------	-------

HONDA (continuação)						
CR-V EXSAB	07 /	PD/809	Sumitomo			
CR-V LX, PZW	08 /	PD/809	Sumitomo			
FIT LX 1.4 8V	03 / 08	PD/503	Akebono	HO/197-CPA		
FIT LXL 1.4 8V	03 / 08	PD/503	Akebono	HO/197-CPA		
FIT EX 1.5 16V	03 / 08	PD/503	Akebono	HO/197-CPA		
FIT LX 1.4 16V	09 /	PD/685	Teves	HO/197-CPA		
FIT LXL 1.4 16V	09 /	PD/685	Teves	PD/398	Akebono	
FIT EX 1.5 16V	09 /	PD/685	Teves	PD/398	Akebono	
FIT EXL 1.5 16V	09 /	PD/685	Teves	PD/398	Akebono	
HR-V 1.6 16V	99 /	PD/449	Akebono			
JAZZ 1.2	02 /	PD/404	Akebono			
JAZZ 1.4	02 /	PD/404	Akebono			
LEGEND 3.2 24V	91 / 96	PD/449	Akebono			
LEGEND 3.5 24V	96 /	PD/449	Akebono			
LOGO 1.3	99 / 02	PD/404	Akebono			
NSX 3.0 24V	90 /	PD/449	Akebono			
NSX 3.2 24V	90 /	PD/449	Akebono			
PRELUDE	94 / 01			PD/554		
PRELUDE 2.2i 16V	96 /	PD/449	Akebono			
PRELUDE 2.2i 16V Vtec	92 / 96	PD/449	Akebono			
PRELUDE 2.3i 16V	92 / 96	PD/449	Akebono			
PRELUDE COUPE 2.2	92 / 95			PD/444	Akebono	
PRELUDE Si	92 / 95	PD/388	Akebono	PD/444	Akebono	
SHUTTLE 2.2 16V	94 / 01	PD/449	Akebono			
SHUTTLE 2.3 16V	94 / 01	PD/449	Akebono			

HUBER-WARCO						
MOTONIVELADORA				TR/328	100118	Est. 8049

HUMMER						
H2	03 / 06	PD/571		PD/572		

HYUNDAI						
ACCENT 1.3	94 /	PD/382	Akebono	HY/339-CPA		
ACCENT 1.5	94 /	PD/382	Akebono	HY/339-CPA		
AMICA	03 / 04	PD/535				
ATOS 1.0 GL	98 /	PD/478	Akebono			
ATOS 1.0 GLS	98 /	PD/478	Akebono			
ATOS	01 /	PD/535				
AZERA	06 /	PD/635	Mando	PD/725	Mando	
AZERA 3.0 V6	12 /	PD/1277	Mando			
AZERA 3.3 V6	07 /	PD/1277	Mando			
SONATA 3.3 V6	06 /	PD/1277	Mando			
SONATA 3.3 STYLE 6CIL.	06 /	PD/1277	Mando			
ELANTRA	94 / 06			PD/666	Mando	
ELANTRA	07 /			PD/725	Akebono	
EXCEL 1.5	92 / 95	PD/382	Akebono	HY/339-CPA		
GALLOPER 2.5 TD	98 /	PD/343	Sumitomo			
GALLOPER 3.0i V6	98 /	PD/343	Sumitomo			

MARCA / MODELO	Ano	Dianteira	Sistema	Traseira	Sistema	Obs.:
----------------	-----	-----------	---------	----------	---------	-------

HYUNDAI (continuação)

GENESIS 3.8 V6	08 /	PD/1287	Mando			
SANTA FE 2.7 V6 4x4	06 /	PD/1287	Mando			
SANTA FE 3.5 V6 4x4	11 /	PD/1287	Mando			
H-100 Diesel	93 /	PD/473	Girling	MB/156-CP		
H-100 Diesel	94 / 00	PD/473	Girling	HY/338-CP		
HR 2.5	06 /	PD/354	Akebono	HY/338-CP	Sumitomo	Roda dupla traseira
HR 2.5	06 /	PD/354	Akebono	KI/144-CP		
i30 2.0 16V	09 /	PD/1092	Mando	PD/1093	Mando	Freio de mão HY/340-CP
iX35 2.0 16V	10 /	PD/1296	Mando	PD/1093	Mando	
S-COUPE 1.5	91 / 96	PD/382	Akebono			
SANTA FE	01 /	PD/630	Akebono	PD/725	Akebono	
SANTA FE 2.0 CRDi	01 /	PD/630	Akebono	PD/725	Akebono	
SONATA	99 / 02			PD/725	Akebono	
SONATA	03 / 05	PD/635	Akebono	PD/725	Akebono	
VERA CRUZ 3.8 V6	07 /	PD/1298	Hyundai	PD/1299	Mando	
SONATA 2.0	08 /			HY/337-CP		
TIBURON	97 /			PD/666	Mando	
TUCSON	04 /	PD/635	Akebono	HY/336-CP		
TUCSON	04 /	PD/635	Akebono	PD/725	Akebono	Freio de mão HY/337-CP
XG 300	01 / 02	PD/630	Akebono			
XG 350	02 / 03	PD/630	Akebono			
XG 350	03 / 05	PD/667	Akebono			

IDEROL

3º EIXO	/ 79			4195-B		
3º EIXO	80 /			4514-F 4515-C	Bendix -	
CARRETA	/ 79			SV/223 SV/226		
CARRETA	80 /			4515-C		1 e 2 eixos
CARRETA	80 / 99			CA/32	Master	3 eixos
CARRETA	00 /			CA/33	Master	3 eixos

INFINITI

FX 35	03 / 06	PD/638		PD/585		
FX 35	07 /			PD/585		
FX 45	03 / 06	PD/638		PD/585		
FX 45	07 /			PD/585		
G 20	91 / 94	PD/453	Sumitomo			
G 20	99 / 01			PD/692	Sumitomo	
G 20	99	PD/550				
G 20	02	PD/728				
G 35	03 / 06	PD/728		PD/585		
I 30	96 / 00			PD/692	Sumitomo	
I 30	00 / 01	PD/728		PD/692	Sumitomo	
I 35	02 / 04	PD/728				
Q 45	97 / 98	PD/561				

MARCA / MODELO	Ano	Dianteira	Sistema	Traseira	Sistema	Obs.:
----------------	-----	-----------	---------	----------	---------	-------

INFINITI (continuação)						
Q 45	99 / 01	PD/562				
QX 4	97 / 01	PD/561				
QX 4	02 / 03	PD/562				

INTERNACIONAL						
4700 4x2	98 /	4524-B	Master	4707	Master	
4900 4x2	98 /	4524-B	Master	4707	Master	
4900 6x4	98 /	4524-B	Master	4707	Master	3º eixo 4707
9200 4x2	98 /	4524-B	Master	4515-C		
9200 6x4	98 /	4524-B	Master	4707	Master	3º eixo 4707
9800 6x4	00 /	4720		4707	Master	3º eixo 4707
AC-184	57 / 65	659-B		4514-F	Bendix	
N-184	57 / 65	659-B		4514-F	Bendix	
NV-184	57 / 65	659-B		4514-F	Bendix	

IVECO						
BUS CC 170 E 22	05 /	FD/88	Master	4710	Master	Ônibus
CAVALLINO 180 E 32 T	05-06 /	FD/87	Master	FD/88	Master	
CAVALLINO 450 E 32	05-06 /	FD/87	Master	FD/88	Master	
CITYCLASS 70C16	04 /	PD/139	Brembo			Micro-ônibus
DAILY	89 / 99			IV/163-CP		
DAILY 35.10	97 /	PD/122	Brembo	PD/122	Brembo	
DAILY 35S14 - CHASSI-CABINE / CABINE DUPLA	07 /	PD/189	Brembo	PD/122	Brembo	
DAILY 35S14 - FURGONE / GRAN FURGONE	07 /	PD/189	Brembo	PD/122	Brembo	
DAILY 38.13	05 / 07	PD/122	Brembo	PD/122	Brembo	
DAILY 40.13	05 / 07	PD/122	Brembo	PD/122	Brembo	
DAILY 45S14 - CHASSI-CABINE / CABINE DUPLA	07 /	PD/189	Brembo	PD/122	Brembo	
DAILY 45S14 - GRAN FURGONE	07 /	PD/189	Brembo	PD/122	Brembo	
DAILY 49.10	97 /	PD/122	Brembo	PD/122	Brembo	
DAILY 49.12	97 /	PD/122	Brembo	PD/122	Brembo	
DAILY 50.13	05 / 07	PD/122	Brembo	PD/122	Brembo	
DAILY 55C16 - CHASSI-CABINE / CABINE DUPLA	07 /	PD/189	Brembo	PD/190	Brembo	
DAILY 55C16 - GRAN FURGONE / MAXI FURGONE	07 /	PD/189	Brembo	PD/190	Brembo	
DAILY 55C16 - VETRATO	07 /	PD/189	Brembo	PD/190	Brembo	
DAILY 59.12	01 /	PD/339-A	Perrot	IV/158	Perrot	
DAILY 60.12	03 /	PD/339-A	Perrot	IV/158	Perrot	
DAILY 70.12	03 /	PD/339-A	Perrot	IV/158	Perrot	
DAILY 70.13	06 / 07	PD/339-A	Perrot	IV/158	Perrot	
DAILY 70C16 - CHASSI-CABINE / CABINE DUPLA	07 /	PD/139	Brembo			
EUROCARGO 6X2	05 /	FD/87	Master	FD/88	Master	3º eixo FD/88
EUROCARGO 120 E 15	98 /	FD/86	Master	FD/87	Master	
EUROCARGO 140 E 18	99 /	FD/86	Master	FD/88	Master	
EUROCARGO 150 E 20	94 /	FD/87	Master	FD/88	Master	
EUROCARGO 160 E 23	94 /	FD/87	Master	FD/88	Master	
EUROCARGO 170 E 21	04 /	FD/87	Master	FD/88	Master	

MARCA / MODELO	Ano	Dianteira	Sistema	Traseira	Sistema	Obs.:
----------------	-----	-----------	---------	----------	---------	-------

IVECO (continuação)						
EUROCARGO 230 E 24	09 /	FD/87	Master	FD/88	Master	
EUROCARGO 320 E 18	99 /	FD/86	Master	FD/88	Master	
EUROTECH 450 E 41	96 /	4514-G	Master	CA/32	Master	
EUROTECH 200 E 37	06-05 /	4514-G	Master	CA/32	Master	
EUROTECH 450 E 37 / HR	06-05 /	4514-G	Master	CA/32	Master	
EUROTECH CURSOR 190 E 31	05-99 /	4514-G	Master	CA/32	Master	Argent.
EUROTECH CURSOR 450 E 31	05-99 /	4514-G	Master	CA/32	Master	Argent.
EUROTRAKKER	05-99 /	4514-G	Master	CA/32	Master	
EUROTRAKKER 190 E 31 CURSOR	99 /	4514-G	Master	CA/32	Master	
EUROTRAKKER 200 E 41 H	96 /	4514-G	Master	CA/32	Master	
EUROTRAKKER 450 E 31 T	99 /	4514-G	Master	CA/32	Master	
EUROTRAKKER 450 E 41 HT	96 /	4514-G	Master	CA/32	Master	
SCUDATO 59.12	01 /	PD/339-A	Perrot	IV/158	Perrot	
STRALIS 6X2	06 /	4514-G	Master	CA/32	Master	3º eixo CA/32-A
STRALIS 6X4 (Italian Axle)	09-07 /	4514-G	Master	CA/32	Master	3º eixo CA/32
STRALIS HD 200 S 38	04 /	4514-G	Master	CA/32	Master	
STRALIS HD 450 S 38	04 /	4514-G	Master	CA/32	Master	
STRALIS 570 S 38T	09 /	4514-G	Master	CA/32	Master	3º eixo CA/33
STRALIS 570 S 42T	09 /	4514-G	Master	CA/32	Master	3º eixo CA/33
STRALIS 570 S 42TZ	07 /	4514-G	Master	CA/32	Master	3º eixo CA/33
VERTIS 90V 16		FD/59	Master	FD/59	Master	
VERTIS 130V 18		FD/86	Master	FD/87	Master	
TECTOR 170E25 4X2		FD/87	Master	FD/88	Master	
TECTOR 240E25 6X2		FD/87	Master	FD/88	Master	3º eixo FD/88
TECTOR 260E25 6X4		FD/87	Master	FD/88	Master	

JAC						
J3 1.4 16V	11 /	PD/382	Akebono			
J3 TURIN 1.4 16V	11 /	PD/382	Akebono			
J5 1.5 16V	11 /			PD/666	Mando	
J6 2.0 16V	11 /			PD/666	Mando	

JAGUAR						
X-TYPE	02 / 05	PD/586		PD/599		
X-TYPE	05 / 06	PD/586				

JEEP						
CHEROKEE	92 / 96	PD/418	K. Hayes			Freio de mão FD/99-CP
CHEROKEE	94 / 96	PD/708	K. Hayes			Freio de mão FD/99-CP
CHEROKEE	97 / 98			PD/556		
CHEROKEE 4 X 4	90 / 93	PD/418	K. Hayes			
CHEROKEE 4 X 4	90 / 93	PD/708	K. Hayes			
GRAND CHEROKEE	92 / 96	PD/418	K. Hayes			

MARCA / MODELO	Ano	Dianteira	Sistema	Traseira	Sistema	Obs.:
----------------	-----	-----------	---------	----------	---------	-------

JEEP (continuação)						
GRAND CHEROKEE	92 / 98	PD/708	K. Hayes			
GRAND CHEROKEE	94 / 98			PD/556		
GRAND CHEROKEE	99 / 02	PD/620	Teves	PD/573		
GRAND CHEROKEE	02 / 04			PD/573		
GRAND CHEROKEE LAREDO	92 / 96	PD/418	K. Hayes			
LIBERTY	02 /	PD/580				
LIBERTY	04 /			PD/588		
WRANGLER	90 / 97	PD/708	K. Hayes			
WRANGLER	97 / 98			PD/556		
WRANGLER	02 / 06			PD/775		
WRANGLER	06			PD/588		
WRANGLER	07 / 09	PD/1026				
WRANGLER SPORT 4.0	90 / 95	PD/418	K. Hayes			

KIA MOTORS						
AMANTI	04 / 06	PD/667	Akebono	PD/725	Akebono	
BESTA BONGO	97 / 99	PD/64	Akebono	KI/143-CP		
BESTA BONGO	99 /	PD/69 PD/331	Akebono	KI/143-CP		
BESTA EST 2.7	93 / 98	PD/333	Akebono	KI/133-CP		
BESTA FURGÃO	97 / 99	PD/64	Akebono	KI/143-CP		
BESTA FURGÃO	99 /	PD/69	Akebono	KI/143-CP		
BESTA FURGÃO 2.2	93 / 98	PD/333	Akebono	KI/133-CP		
BESTA GS	97 / 99	PD/64	Akebono	KI/143-CP		
BESTA GS 3.0	99 / 05	PD/69	Akebono	KI/143-CP		
BESTA GS 3.0	05 /			KI/200-CP		
BESTA STD 2.2	93 / 98	PD/333	Akebono	KI/133-CP		
BONGO K-2400 2.4	93 / 97	PD/333	Akebono	KI/133-CP		
BONGO K-2500 2.5 T	08 /	PD/331	Akebono			
BONGO K-2700	97 /	PD/333 PD/331	Akebono	KI/133-CP		
CARENS	06 /			PD/725	Akebono	
CARENS 1.6 EX, LX / 1.8 EX, LX	02 /	PD/1092	Mando			
CARENS 2.0 CRDi	05 /	PD/1092	Mando			
CARNIVAL 2.5 V6	99 / 05-00	PD/418	K. Hayes			
CARNIVAL 2.5 V6	06-00 /	PD/69	Akebono			
CARNIVAL 2.9 TD	99 / 05-00	PD/418	K. Hayes			
CARNIVAL 2.9 TD	06-00 /	PD/69	Akebono			
CARNIVAL 2.7 V6	06-06 /	PD/1287	Mando	PD/1299	Mando	
MOHAVE 3.8 V6 4x4	10 /	PD/1287	Mando			
MOHAVE EX 3.0 V6	10 /	PD/1287	Mando			
MOHAVE EX 4.6 V8 4x4	10 /	PD/1287	Mando			
SORENTO	10 /	PD/1287	Mando			
CERATO 2.0	08 /	PD/665		PD/666	Mando	
CERATO 1.6	09 /	PD/1092	Mando	PD/1093	Mando	
CERATO 1.6	/ 08	PD/752	Mando	PD/666	Mando	
MAGENTIS	07 /	PD/635	Akebono	PD/725	Akebono	
OPIRUS	03 /	PD/667	Akebono	PD/725	Akebono	
OPTIMA	03 / 06	PD/635	Akebono	PD/725	Akebono	

MARCA / MODELO	Ano	Dianteira	Sistema	Traseira	Sistema	Obs.:
----------------	-----	-----------	---------	----------	---------	-------

KIA MOTORS (continuação)

OPTIMA	07 /			PD/725	Akebono	
PICANTO	07 /	PD/633				
RIO 1.4 16V / 1.5 CRDi / 1.6 16V / LX	05 /			PD/1093	Mando	
SEPHIA 1.5	94 /	PD/390	Teves	AM/323-CP		
SEPHIA 1.5 16V	96 /	PD/390	Teves	AM/323-CP		
SEPHIA 1.6	93 /	PD/390	Teves	AM/323-CP		
SEPHIA 1.8	94 /	PD/390	Teves	AM/323-CP		
SHUMA 1.6 16V	05-01 /			AM/323-CP		
SHUMA 1.8	05-01 /			AM/323-CP		
SORENTO	02 / 09	PD/634	Sumitomo	PD/668	Mando	
SOUL 1.6 / 1.6 CRDi	02-09 /	PD/635	Akebono			
SPECTRA	04 /	PD/665		PD/666	Mando	
SPORTAGE 2.0 16V	10 /	PD/1296	Mando	PD/1093	Mando	
CARENS 2.0	07 /	PD/1296	Mando			
SPORTAGE	05 / 10	PD/635	Akebono	PD/725	Akebono	
SPORTAGE 2.0	99 / 03	PD/486	Akebono	KI/360-CP		
SPORTAGE 2.2	99 / 03	PD/486	Akebono	KI/360-CP		

KRONE

3° EIXO	80 /			4515-G	Bendix	
CARRETA	/ 79			4514-F	Bendix	
CARRETA	80 /			CA/32	Master	

LADA

LAIKA	90 / 95	PD/31	Bendix	LD/123-S/F		
NIVA 1600	91 / 00			LD/123-CP		Freio traseiro Ø250,0x51,0mm
NIVA	90 / 95	PD/32	Bendix	LD/123-S/F		

LAND ROVER

90	86 / 90	PD/458-B	Lockheed			
110	86 / 90	PD/474	Lockheed			Disco Solido
DEFENDER 90 2.5 TDI	95 /	PD/474	Lockheed	PD/416	Lockheed	Disco Solido
DEFENDER 110 2.5 TDI	95 /	PD/474	Lockheed	PD/416	Lockheed	Disco Solido
DISCOVERY 2.5	89 / 93	PD/458-B	Lockheed	PD/464-B		Disco Ventilado
DISCOVERY 3.5	89 / 93	PD/458-B	Lockheed	PD/464-B		Disco Ventilado
DISCOVERY 2.0	93 / 98	PD/458-B	Lockheed			Disco Ventilado
DISCOVERY 2.5	93 / 98	PD/458-B	Lockheed			Disco Ventilado
DISCOVERY 3.5	93 / 98	PD/458-B	Lockheed			Disco Ventilado
DISCOVERY 3.9	93 / 98	PD/458-B	Lockheed			Disco Ventilado
RANGE ROVER 2.4	85 / 89			PD/464-B		
RANGE ROVER 3.5	85 / 89			PD/464-B		
RANGE ROVER 2.5 Classic	90 / 96	PD/458-B	Lockheed			

LEXUS

GS300	06	PD/745				
GX470	03 /	PD/528	Sumitomo	PD/695	Sumitomo	
LX450	96 / 97			PD/695	Sumitomo	

MARCA / MODELO	Ano	Dianteira	Sistema	Traseira	Sistema	Obs.:
----------------	-----	-----------	---------	----------	---------	-------

LINCOLN						
CONTINENTAL	93 / 94	PD/389	Girling	PD/696		
CONTINENTAL	95 / 02			PD/696		
LS	00 / 06			PD/76	Varga	
MKZ	07 /	PD/647		PD/646		
NAVIGATOR	98 / 99	PD/565		PD/566		
NAVIGATOR	00 / 02	PD/565				
ZEPHYR	06 /	PD/647		PD/646		

MAFERSA						
CARRETA	Todos			CA/32	Master	
ÔNIBUS	Todos	4514-F	Bendix	CA/32	Master	

MAHINDRA						
PICK-UP	07 /	PD/733				
SUV	07 /	PD/733				

MAN						
TGX 28.440 6x2	12 /	MB/185	MAN	MB/188	MAN	3° eixo MB/188
TGX 29.440 6x4	12 /	MB/185	MAN	MB/188	MAN	3° eixo MB/188
TGX 33.440 6x4	12 /	MB/185	MAN	MB/188	MAN	3° eixo MB/188

MARCOPOLO						
VOLARE A5	98 /	PD/102	Varga	FD/72	Bendix	
VOLARE A6	98 /	PD/102	Varga	FD/72	Bendix	
VOLARE A8	00 /	FD/77	Master	FD/77	Master	
VOLARE W8	02 /	FD/77	Master	FD/77	Master	
VOLARE W8	02 /	FD/59	Master	FD/59	Master	Freio HD
VOLARE W9	02 /	FD/59	Master	FD/59	Master	Freio HD

MARINGÁ						
3° EIXO	/ 78			4195-A		
3° EIXO	79 /			4514-F	Bendix	
CARRETA	84 /			CA/32	Master	

MASSARI						
CARRETA	/ 78			4515		
CARRETA	78 /			CA/32	Master	

MASSEY-FERGUSON						
MF-50 X (Agrícola)				TR/311		487 497 M1

MAZDA						
E 2000 Bus/Van 2.2 D	02-97 /	PD/538	Sumitomo			
E 2200 Bus/Van 2.2 D	02-97 /	PD/538	Sumitomo			
CX-7 MZR DISI TURBO 2.3	10-07 /	PD/1080	ADVICS	PD/1081	Akebono	

MARCA / MODELO	Ano	Dianteira	Sistema	Traseira	Sistema	Obs.:
----------------	-----	-----------	---------	----------	---------	-------

MAZDA (continuação)

MPV I 2.6 i 12v 2WD	01-92 / 05-96	PD/538	Sumitomo			
MPV I (LV) 2.5 TD 2WD	05-96 / 09-99	PD/538	Sumitomo			
MPV I (LV) 3.0i V6 2WD	05-96 / 09-99	PD/538	Sumitomo			
MPV I (LV) 3.0i V6 2WD	05-96 / 09-99	PD/538	Sumitomo			
MX3	93 /	PD/376	Sumitomo			
MX3 COUPE	91 /	PD/376	Sumitomo			
MX3 1.6i 16v	91 /	PD/132	Sumitomo	PD/344	Akebono	
MX3 1.8i 16V	91 /	PD/132	Sumitomo	PD/344	Akebono	

MERCEDES-BENZ

A 160	99 /	PD/67-A	Girling	MB/169-CPA	Girling	
A 190	00 /	PD/67-A	Girling	MB/169-CPA	Girling	
ACCELO 715-C	03 /	PD/104	Varga	PD/104	Varga	
ACCELO 915-C	03 / 06-04	PD/526	Knorr	PD/526	Knorr	Freio SB 5000
ACCELO 915-C	07-04 /	PD/533	Knorr	PD/533	Knorr	Freio SN 5000
ACTROS	96 / 09 -10	PD/116-K	Knorr	PD/116-K	Knorr	
ACTROS	10-10 /	PD/205	Knorr	PD/206	Knorr	
ATEGO 1315	04 /	MB/184	MB	MB/184	MB	
ATEGO 1418	04 /	MB/184	MB	MB/184	MB	
ATEGO 1518	04 /	MB/184	MB	MB/184	MB	
ATEGO 1718	04 /	MB/184	MB	MB/184	MB	
ATEGO 1725	04 /	MB/184	MB	MB/184	MB	
ATEGO 2425	04 /	MB/184	MB	MB/184	MB	
AXOR 1933	05 /	PD/116-K	Knorr	PD/116-K	Knorr	
AXOR 2035	05 /	PD/116-K	Knorr	PD/116-K	Knorr	
AXOR 2040	05 /	PD/116-K	Knorr	PD/116-K	Knorr	
AXOR 2533 6x2	05 /	PD/116-K	Knorr	PD/116-K	Knorr	
AXOR 2540 6x2	05 /	PD/116-K	Knorr	PD/116-K	Knorr	
AXOR 2544 6x2	05 /	PD/116-K	Knorr	PD/116-K	Knorr	
AXOR 2640 6x4	05 /	PD/116-K	Knorr	PD/116-K	Knorr	
AXOR 2644 6x4	05 /	PD/116-K	Knorr	PD/116-K	Knorr	
AXOR 2826 6x4	06 /	MB/185	MB	MB/188	MB	3º eixo MB/188
AXOR 2831 6x4	06 /	MB/185	MB	MB/188	MB	3º eixo MB/188
AXOR 3340 6x4	05 /	MB/185	MB	MB/188	MB	3º eixo MB/188
AXOR 3344 6x4	05 /	MB/185	MB	MB/188	MB	3º eixo MB/188
AXOR 4140 6x4	06 /	MB/185	MB	MB/188	MB	3º eixo MB/188
AXOR 4144 6x4	06 /	MB/185	MB	MB/188	MB	3º eixo MB/188
C-180 1.8i 16V CLASSIC	93 / 00	PD/489	Girling			
C-180 1.8i 16V ELEGANCE	93 / 00	PD/489	Girling			
C-180 1.8i 16V SPORT (W202)	93 / 00	PD/489	Girling			
C-180 1.8 T (T202)	96 /	PD/489	Girling			
C-200 2.0i 16V CLASSIC	93 / 00	PD/489	Girling			
C-200 2.0i 16V ELEGANCE	93 / 00	PD/489	Girling			
C-200 2.0i 16V SPORT (W202)	93 / 00	PD/489	Girling			
C-200 2.0 T	96 / 01	PD/489	Girling			
C-200 2.0 TD (T202)	96 / 01	PD/489	Girling			
C-200 2.0 D	93 / 00	PD/489	Girling			
C-200 2.0 ELEGANCE	93 / 00	PD/489	Girling			
C-200 2.0 SPORT (W202)	93 / 00	PD/489	Girling			

MARCA / MODELO	Ano	Dianteira	Sistema	Traseira	Sistema	Obs.:
----------------	-----	-----------	---------	----------	---------	-------

MERCEDES-BENZ (continuação)						
C-200 CDI (W202)	98 / 00	PD/489	Girling			
C-220 2.2i 16V CLASSIC	93 / 00	PD/489	Girling			
C-220 2.2i 16V ELEGANCE	93 / 00	PD/489	Girling			
C-220 2.2i 16V SPORT (W202)	93 / 00	PD/489	Girling			
C-220 2.2 D (W202)	93 / 95	PD/489	Girling			
C-220 2.2 TD CDI (T202)	96 /	PD/489	Girling			
C-230 2.2 (T202)	96 /	PD/489	Girling			
C-240 2.4 T (T202)	97 / 00	PD/489	Girling			
C-250 2.5 TD (W202)	93 / 95	PD/489	Girling			
C-280 2.8 (W202)	93 / 97	PD/489	Girling			
C-280 T (T202)	97 / 01	PD/489	Girling			
E-200 2.0i 16V (W124)	93 / 95	PD/489	Girling			
MB-180 D	94 / 96	PD/108	Bendix	MB/156-S/F MB/156-CP		
709	88 / 96	PD/104	Varga	MB/193	MB	
710	96 /	PD/104	Varga	MB/193	MB	
710 Plus	02 /	PD/104	Varga	FD/77	Master	
712	98 /	PD/117 PD/117-A	Wabco	PD/117 PD/117-A	Wabco	Eletrônico
812	98 /	PD/117 PD/117-A	Wabco	PD/117 PD/117-A	Wabco	Eletrônico
814	98 /	PD/117 PD/117-A	Wabco	PD/117 PD/117-A	Wabco	Eletrônico
912	88 / 96	PD/104	Varga	MB/193	MB	
914	95 / 98	PD/104	Varga	MB/193	MB	
914-C	98 /	PD/117 PD/117-A	Wabco	PD/117 PD/117-A	Wabco	Eletrônico
1114 6x2	95 / 97	PD/104	Varga	MB/193	MB	3° eixo MB/193
1214	91 / 97	MB/182	MB	MB/182	MB	
1214	00 /	PD/104	Varga	FD/77	Master	
1214-C	97 /	MB/183	MB	MB/183	MB	
1215-C	99 /	MB/183 PD/116-K	MB Knorr	MB/183 PD/116-K	MB Knorr	
1218	91 / 97	MB/182	MB	MB/182	MB	
1318 Ônibus	03 /	MB/183	MB	MB/183 MB/184	MB	eixo HL4 eixo HL5
1418	91 /	MB/183	MB	MB/183	MB	
1418	91 /	MB/183	MB	MB/184	MB	eixo HL5
1420	02 /	MB/183	MB	MB/183	MB	
1620 6x2	00 /	MB/184	MB	MB/184	MB	3° eixo MB/184
1715	93 /	MB/184	MB	MB/184	MB	
1718	91 /	MB/184	MB	MB/184	MB	
1718-A	98 /	MB/183	MB	MB/184	MB	
1718-M	97 /	MB/184	MB	MB/184	MB	
1720	97 /	MB/184	MB	MB/184	MB	
1720 6x2	00 /	MB/184	MB	MB/184	MB	3° eixo MB/184
1720 K	00 /	MB/184	MB	MB/184	MB	
1721	92 / 98	MB/184	MB	MB/184	MB	
1721 S	92 / 98	MB/184	MB	MB/184	MB	
1723	98 /	MB/184	MB	MB/184	MB	
1726-E	08 /	PD/116-K	Knorr	PD/116-K	Knorr	

MARCA / MODELO	Ano	Dianteira	Sistema	Traseira	Sistema	Obs.:
----------------	-----	-----------	---------	----------	---------	-------

MERCEDES-BENZ (continuação)						
1938-S	99 /	PD/116-K	Knorr	PD/116-K	Knorr	Eletrônico
1944-S	03 /	PD/116-K	Knorr	PD/116-K	Knorr	
2038	97 / 98	MB/184	MB	MB/188	MB	Importado
2240	97 / 98	MB/184	MB	MB/188	MB	Importado
2414	92 /	MB/183	MB	MB/183	MB	3º eixo MB/183
2418	92 / 99	MB/183	MB	MB/183	MB	3º eixo MB/183
2423 B	98 /	MB/184	MB	MB/184	MB	3º eixo MB/184
2423 K	98 /	MB/184	MB	MB/184	MB	3º eixo MB/184
2428	00 /	MB/184	MB	MB/184	MB	3º eixo MB/184
K-1214	91 /	MB/182	MB	MB/182	MB	
K-1414	91 / 96	MB/183	MB	MB/183	MB	
K-1418	91 /	MB/183	MB	MB/183	MB	
K-1718	91 / 93	MB/184	MB	MB/184	MB	
K-1721	91 /	MB/184	MB	MB/184	MB	
L-312	TODOS	MB/155		MB/161		
L-608 D	72 / 80	MB/186	MB	MB/186	MB	
L-608 D	81 / 86	MB/187	MB	MB/187	MB	
L-610	87 / 89	MB/187	MB	MB/187	MB	
L-708 E	87 / 89	MB/187	MB	MB/187	MB	
L-1111	64 / 70	MB/176	MB	MB/176	MB	
L-1113	70 / 82	MB/176	MB	MB/176	MB	
L-1113	83 / 86	MB/177 MB/182	MB	MB/177 MB/182	MB	
L-1114	87 / 89	MB/182	MB	MB/182	MB	
L-1115	87 / 88	MB/182	MB	MB/182	MB	
L-1116	70 / 82	MB/176	MB	MB/176	MB	
L-1118	87 / 89	MB/182	MB	MB/182	MB	
L-1214	89 / 96	MB/182	MB	MB/182	MB	
L-1218	89 / 97	MB/182	MB	MB/182	MB	
L-1218	97 /	MB/183	MB	MB/183	MB	
L-1313	70 / 83	MB/180	MB	MB/180	MB	
L-1313	83 / 87	MB/183	MB	MB/183	MB	
L-1314	87 / 91	MB/183	MB	MB/183	MB	
L-1314	91 /	MB/184	MB	MB/184	MB	
L-1316	64 / 83	MB/180	MB	MB/181	MB	
L-1316	70 / 83	MB/180	MB	MB/180	MB	
L-1316	83 / 86	MB/183	MB	MB/183	MB	
L-1317	86 / 90	MB/183	MB	MB/183	MB	
L-1318	87 / 89	MB/183	MB	MB/183	MB	
L-1318	06 /	MB/183	MB	MB/183 MB/184	MB	
L-1319	85	MB/183	MB	MB/184	MB	
L-1414	89 / 96	MB/183	MB	MB/183	MB	
L-1418	89 /	MB/183	MB	MB/183	MB	
L-1513	70 / 82	MB/180	MB	MB/181	MB	
L-1513	83 / 86	MB/183	MB	MB/184	MB	
L-1514	87 / 89	MB/183	MB	MB/184	MB	
L-1516	70 / 83	MB/180	MB	MB/181	MB	
L-1516	83 / 86	MB/183	MB	MB/184	MB	
L-1517	86	MB/183	MB	MB/184	MB	
L-1518	87 / 90	MB/183	MB	MB/184	MB	

MARCA / MODELO	Ano	Dianteira	Sistema	Traseira	Sistema	Obs.:
----------------	-----	-----------	---------	----------	---------	-------

MERCEDES-BENZ (continuação)

L-1519	73 / 82	MB/180	MB	MB/181	MB	
L-1519	83 / 86	MB/183	MB	MB/184	MB	
L-1520	87 / 91	MB/183	MB	MB/184	MB	
L-1614	89 / 95	MB/183 MB/184	MB	MB/184	MB	
L-1618	89 / 96	MB/183 MB/184	MB	MB/184	MB	
L-1620	96 /	MB/184	MB	MB/184	MB	
L-1620 6x2	00 /	MB/184	MB	MB/184	MB	3° eixo MB/184
L-1621	90 / 96	MB/183	MB	MB/184	MB	
L-1622	00 /	MB/184	MB	MB/184	MB	
L-1622 6x2	01 /	MB/184	MB	MB/184	MB	3° eixo MB/184
L-1625	90 / 94	MB/184	MB	MB/184	MB	
L-1625	94 /	MB/184	MB	MB/184	MB	
L-1630	94 /	MB/184	MB	MB/184	MB	
L-1635	94 /	MB/184	MB	MB/184	MB	
L-1714	91 /	MB/184	MB	MB/184	MB	
L-1924-A	81 / 83	MB/184	MB	MB/185	MB	
L-2013	70 / 83	MB/180	MB	MB/180	MB	3° eixo MB/180
L-2013	83 / 86	MB/183	MB	MB/183	MB	3° eixo MB/183
L-2014	87 / 90	MB/183	MB	MB/183	MB	3° eixo MB/183
L-2118	91 /	MB/183	MB	MB/183	MB	
L-2213	70 / 83	MB/180	MB	MB/180	MB	3° eixo MB/180
L-2213	83 / 86	MB/183	MB	MB/183	MB	3° eixo MB/183
L-2214	87 / 90	MB/183	MB	MB/183	MB	3° eixo MB/183
L-2215	83 / 90	MB/183	MB	MB/183	MB	3° eixo MB/183
L-2216	78 / 83	MB/180	MB	MB/180	MB	3° eixo MB/180
L-2216	83 / 86	MB/183	MB	MB/183	MB	3° eixo MB/183
L-2217	87 / 88	MB/183	MB	MB/183	MB	3° eixo MB/183
L-2219	78 / 83	MB/180	MB	MB/180	MB	3° eixo MB/180
L-2219	83 / 86	MB/183	MB	MB/183	MB	3° eixo MB/183
L-2220	87 / 91	MB/183	MB	MB/183	MB	3° eixo MB/183
L-2225	89 / 91	MB/183	MB	MB/183	MB	3° eixo MB/183
L-2314	90 / 93	MB/183	MB	MB/183	MB	3° eixo MB/183
L-2318	90 / 99	MB/183	MB	MB/183	MB	3° eixo MB/183
L-2325	90 / 00	MB/183	MB	MB/183	MB	3° eixo MB/183
L-2414	91 /	MB/183	MB	MB/183	MB	
L-2635	93 / 99	MB/184	MB	MB/185	MB	3° eixo MB/185
L-2638	99 /	MB/184	MB	MB/185	MB	3° eixo MB/185
LA-1111	64 / 70	MB/176	MB	MB/176	MB	
LA-1113	70 / 82	MB/176	MB	MB/176	MB	
LA-1113	83 / 86	MB/182	MB	MB/182	MB	
LA-1116	70 / 82	MB/176	MB	MB/176	MB	
LA-1313	70 / 83	MB/180	MB	MB/180	MB	
LA-1313	83 / 87	MB/182	MB	MB/183	MB	
LA-1314	87 / 90	MB/182	MB	MB/183	MB	
LA-1316	82 / 90	MB/182	MB	MB/183	MB	
LA-1317	86 / 90	MB/182 MB/183	MB	MB/183	MB	
LA-1318	87 / 90	MB/182	MB	MB/183	MB	
LA-1418	89 /	MB/183	MB	MB/183	MB	

MARCA / MODELO	Ano	Dianteira	Sistema	Traseira	Sistema	Obs.:
----------------	-----	-----------	---------	----------	---------	-------

MERCEDES-BENZ (continuação)						
LA-2013	70	MB/180	MB	MB/180	MB	
LA-2213	70 / 83	MB/180	MB	MB/180	MB	3º eixo MB/180
LAK-1111	64 / 70	MB/176	MB	MB/176	MB	
LAK-1113	70 / 82	MB/176	MB	MB/176	MB	
LAK-1113	83 / 86	MB/182	MB	MB/182	MB	
LAK-1313	70 / 83	MB/180	MB	MB/180	MB	
LAK-1313	83 / 87	MB/182	MB	MB/183	MB	
LAK-1314	87 / 90	MB/182	MB	MB/183	MB	
LAK-1316	82 / 90	MB/182	MB	MB/183	MB	
LAK-1317	86 / 90	MB/182 MB/183	MB	MB/183	MB	
LAK-1318	87 / 90	MB/182	MB	MB/183	MB	
LAK-1418	89 / 93	MB/182	MB	MB/183	MB	
LAK-2013	70	MB/180	MB	MB/180	MB	
LAS-1111	64 / 70	MB/176	MB	MB/176	MB	
LAS-1113	70 / 82	MB/176	MB	MB/176	MB	
LAS-1113	83 / 86	MB/182	MB	MB/182	MB	
LB-2013	70 / 83	MB/180	MB	MB/180	MB	3º eixo MB/180
LB-2213	70 / 83	MB/180	MB	MB/180	MB	3º eixo MB/180
LB-2213	83 / 86	MB/183	MB	MB/183	MB	3º eixo MB/183
LB-2214	87 / 90	MB/183	MB	MB/183	MB	3º eixo MB/183
LB-2215	89 / 90	MB/183	MB	MB/183	MB	3º eixo MB/183
LB-2216	78 / 83	MB/180	MB	MB/180	MB	3º eixo MB/180
LB-2216	83 / 86	MB/183	MB	MB/183	MB	3º eixo MB/183
LB-2217	87 / 88	MB/183	MB	MB/183	MB	3º eixo MB/183
LB-2219	78 / 83	MB/180	MB	MB/180	MB	3º eixo MB/180
LB-2219	83 / 86	MB/183	MB	MB/183	MB	3º eixo MB/183
LB-2220	87 / 91	MB/183	MB	MB/183	MB	3º eixo MB/183
LB-2318	90 / 93	MB/183	MB	MB/183	MB	3º eixo MB/183
LB-2325	90 / 93	MB/183	MB	MB/183	MB	3º eixo MB/183
LB-2423 6x2	95 / 96	MB/184	MB	MB/184	MB	3º eixo MB/184
LG-1519	73 / 83	MB/180	MB	MB/181	MB	
LG-1825	91 /	MB/183	MB	MB/183	MB	
LK-1111	64 / 70	MB/176	MB	MB/176	MB	
LK-1113	70 / 82	MB/176	MB	MB/176	MB	
LK-1113	83 / 86	MB/177 MB/182	MB	MB/177 MB/182	MB	
LK-1114	87 / 89	MB/182	MB	MB/182	MB	
LK-1115	87 /	MB/182	MB	MB/182	MB	
LK-1118	87 / 89	MB/182	MB	MB/182	MB	
LK-1214	89 / 93	MB/182	MB	MB/182	MB	
LK-1313	70 / 83	MB/180	MB	MB/180	MB	
LK-1313	83 / 87	MB/183	MB	MB/183	MB	
LK-1313	83 / 86	MB/183	MB	MB/184	MB	eixo HL5
LK-1314	87 / 91	MB/183	MB	MB/183	MB	
LK-1314	91 /	MB/184		MB/184		
LK-1316	64 / 83	MB/180	MB	MB/180 MB/181	MB	
LK-1316	83 / 86	MB/183	MB	MB/183	MB	
LK-1317	86	MB/183	MB	MB/183	MB	
LK-1318	87 / 89	MB/183	MB	MB/183	MB	

MARCA / MODELO	Ano	Dianteira	Sistema	Traseira	Sistema	Obs.:
----------------	-----	-----------	---------	----------	---------	-------

MERCEDES-BENZ (continuação)						
LK-1414	89 / 93	MB/183	MB	MB/183	MB	
LK-1418	89 / 93	MB/183	MB	MB/183	MB	
LK-1513	70 / 83	MB/180	MB	MB/181	MB	
LK-1513	83 / 86	MB/183	MB	MB/184	MB	
LK-1514	87 / 89	MB/183	MB	MB/184	MB	
LK-1516	70 / 83	MB/180	MB	MB/181	MB	
LK-1516	83 / 86	MB/183	MB	MB/184	MB	
LK-1517	86	MB/183	MB	MB/184	MB	
LK-1518	87 / 90	MB/183	MB	MB/184	MB	
LK-1519	73 / 82	MB/180	MB	MB/181	MB	
LK-1519	83 / 86	MB/183	MB	MB/184	MB	
LK-1520	87 / 90	MB/183	MB	MB/184	MB	
LK-1614	90 / 93	MB/183 MB/184	MB	MB/184	MB	
LK-1618	89 / 93	MB/183 MB/184	MB	MB/184	MB	
LK-1620	00 /	MB/184	MB	MB/184	MB	
LK-1621	90 / 93	MB/183	MB	MB/184	MB	
LK-1714	91 /	MB/184	MB	MB/184	MB	
LK-2013	70 / 83	MB/180	MB	MB/180	MB	3° eixo MB/180
LK-2213	70 / 83	MB/180	MB	MB/180	MB	3° eixo MB/180
LK-2213	83 / 86	MB/183	MB	MB/183	MB	3° eixo MB/183
LK-2214	87 / 90	MB/183	MB	MB/183	MB	3° eixo MB/183
LK-2215	89 / 90	MB/183	MB	MB/183	MB	3° eixo MB/183
LK-2216	78 / 83	MB/180	MB	MB/180	MB	3° eixo MB/180
LK-2216	83 / 86	MB/183	MB	MB/183	MB	3° eixo MB/183
LK-2217	87 / 88	MB/183	MB	MB/183	MB	3° eixo MB/183
LK-2219	78 / 83	MB/180	MB	MB/180	MB	3° eixo MB/180
LK-2219	83 / 86	MB/183	MB	MB/183	MB	3° eixo MB/183
LK-2220	87 / 91	MB/183	MB	MB/183	MB	3° eixo MB/183
LK-2318	90 / 93	MB/183	MB	MB/183	MB	3° eixo MB/183
LK-2325	90 / 93	MB/183	MB	MB/183	MB	3° eixo MB/183
LK-2420	91 /	MB/183	MB	MB/183	MB	
LK-2638	99 /	MB/184	MB	MB/185	MB	3° eixo MB/185
LO-608 D	72 / 80	MB/186	MB	MB/186	MB	
LO-608 D	81 / 86	MB/187	MB	MB/187	MB	
LO-610	02 /	PD/104	Varga	FD/77	Master	
LO-708 E	87 / 89	MB/187	MB	MB/187	MB	
LO-709	88 /	PD/104	Varga	MB/193	MB	
LO-712	92 / 94	PD/104	Varga	MB/193	MB	
LO-712	02 /	PD/104	Varga	FD/77	Master	
LO-812	88 / 96	PD/104	Varga	MB/193	MB	
LO-812	02 /	PD/104	Varga	FD/77	Master	
LO-814	96 / 98	PD/104	Varga	MB/193	MB	
LO-814	02 /	PD/104	Varga	FD/77	Master	
LO-912	88 /	PD/104	Varga	MB/193	MB	
LO-914	98 /	PD/117 PD/117-A	Wabco	PD/117 PD/117-A	Wabco	
LO-915	03 /	PD/117 PD/117-A	Wabco	PD/117 PD/117-A	Wabco	
LP-321	/ 64	MB/164		MB/161		

MARCA / MODELO	Ano	Dianteira	Sistema	Traseira	Sistema	Obs.:
----------------	-----	-----------	---------	----------	---------	-------

MERCEDES-BENZ (continuação)						
LP-321	70 / 82	MB/176	MB	MB/176	MB	
LP-1113	70 / 82	MB/176	MB	MB/176	MB	
LP-1113	83 / 86	MB/182	MB	MB/182	MB	
LP-1520	67 / 78	MB/180	MB	MB/181	MB	
LPK-1520	64 / 72	MB/167		4515		
LPK-1520	67 / 78	MB/180	MB	MB/181	MB	
LPO-334	64 / 82	MB/176	MB	MB/176	MB	
LPO-1111	77 / 83	MB/179	MB	MB/179	MB	
LPO-1113	70 / 82	MB/176	MB	MB/176	MB	
LPO-1113	77 / 83	MB/179	MB	MB/179	MB	
LPO-1113	83 / 86	MB/182	MB	MB/182	MB	
LPO-1313	70 / 83	MB/180	MB	MB/180	MB	
LPO-1520	67 / 78	MB/180	MB	MB/181	MB	
LPS-331 S	64 / 72	MB/167		4515		
LPS-1520	64 / 72	MB/167		4515		
LPS-1520	67 / 78	MB/180	MB	MB/181	MB	
LS-1111	64 / 70	MB/176	MB	MB/176	MB	
LS-1113	70 / 82	MB/176	MB	MB/176	MB	
LS-1113	83 / 86	MB/182	MB	MB/182	MB	
LS-1114	87 / 89	MB/182	MB	MB/182	MB	
LS-1115	87 /	MB/182	MB	MB/182	MB	
LS-1118	87 /	MB/182	MB	MB/182	MB	
LS-1313	70 / 83	MB/180	MB	MB/180	MB	
LS-1313	83 / 87	MB/183	MB	MB/183	MB	
LS-1314	87 / 89	MB/183	MB	MB/183	MB	
LS-1316	64 / 83	MB/180	MB	MB/180 MB/181	MB	
LS-1519	73 / 82	MB/180	MB	MB/181	MB	
LS-1519	83 / 86	MB/183	MB	MB/184	MB	
LS-1520	87 / 89	MB/183	MB	MB/184	MB	
LS-1524	83 / 87	MB/183	MB	MB/184	MB	
LS-1525	88 / 90	MB/183	MB	MB/184	MB	
LS-1625	90 / 96	MB/184	MB	MB/184	MB	
LS-1630	90 / 98	MB/184	MB	MB/184	MB	
LS-1632	98 /	MB/184	MB	MB/185	MB	
LS-1634	07	MB/183	MB			
LS-1634	00 /	MB/184	MB	MB/185	MB	
LS-1634	02 /	PD/116-K	Knorr	PD/116-K	Knorr	
LS-1924-A	76 / 83	MB/184	MB	MB/185	MB	
LS-1929	76 / 86	MB/184	MB	MB/185	MB	
LS-1930	87 / 89	MB/184	MB	MB/185	MB	
LS-1932	84 / 86	MB/184	MB	MB/185	MB	
LS-1933	87 / 89	MB/184	MB	MB/185	MB	
LS-1934	88 / 90	MB/184	MB	MB/185	MB	
LS-1935	90 / 98	MB/184	MB	MB/185	MB	
LS-1938	98 /	PD/116-K	Knorr	PD/116-K	Knorr	Eletrônico
LS-1941	90 / 98	MB/184	MB	MB/185	MB	
LS-2038	96 /	MB/184	MB	MB/185	MB	
LS-2624	79 / 84	MB/184	MB	MB/185	MB	
LS-2635	95 / 99	MB/184	MB	MB/185	MB	3° eixo MB/185

MARCA / MODELO	Ano	Dianteira	Sistema	Traseira	Sistema	Obs.:
----------------	-----	-----------	---------	----------	---------	-------

MERCEDES-BENZ (continuação)						
LS-2638	99 /	MB/184	MB	MB/185	MB	3° eixo MB/185
O-321	/ 64	MB/164		MB/161		
O-321	70 / 82	MB/176	MB	MB/176	MB	
O-326	64 / 78	MB/180	MB	MB/181	MB	
O-340	92 /	PD/125	Meritor	PD/125	Meritor	
O-350	92 /	PD/125	Meritor	PD/125	Meritor	
O-352	70 / 82	MB/176	MB	MB/176	MB	
O-355	73 / 78	MB/180	MB	MB/181	MB	
O-362	73 / 78	MB/180	MB	MB/181	MB	
O-364	79 / 85	MB/180	MB	MB/181	MB	
O-364	85 / 90	MB/190	MB	MB/190	MB	
O-365	87 / 90	MB/180 MB/190	MB	MB/181 MB/190	MB	
O-370 R	86	MB/190	MB	MB/191	MB	
O-370 RS	84 / 89	MB/190	MB	MB/191	MB	
O-370 RSD	84 / 88	MB/190	MB	MB/191	MB	Apoio MB/190
O-371 R	87 / 96	MB/190	MB	MB/191	MB	
O-371 RS	87 / 93	MB/190	MB	MB/191	MB	
O-371 RSD	87 / 95	MB/190	MB	MB/191	MB	Apoio MB/190
O-371 RSL	92 / 94	MB/190	MB	MB/191	MB	
O-371 U	87 / 96	MB/190	MB	MB/191	MB	
O-371 U	92 / 95	MB/190	MB	MB/191	MB	Gás
O-371 UL	92 / 95	MB/190	MB	MB/191	MB	
O-371 UP	87 / 96	MB/190	MB	MB/191	MB	
O-400 R	95 / 96	MB/190	MB	MB/191	MB	
O-400 RS	95 / 96	MB/190	MB	MB/191	MB	
O-400 RSD	94 /	MB/190	MB	MB/191	MB	Apoio MB/190
O-400 RSE	95 /	MB/190	MB	MB/191	MB	
O-400 RSL	95 / 97	MB/190	MB	MB/191	MB	
O-400 UP	95	MB/190	MB	MB/191	MB	
O-400 UPA	02 /	MB/190	MB	MB/191	MB	Articulado MB/191
O-400 UPA 6x2	98 / 00	MB/190	MB	MB/191	MB	3° eixo MB/191
O-404	91 /	PD/125	Meritor	PD/125	Meritor	
O-500	01 /	MB/190	MB	MB/191	MB	
O-500	00 /	PD/125	Meritor			
O-500 M	06 /	MB/190	MB	MB/191	MB	
O-500 M (Articulado)	06 /	MB/190	MB	MB/191	MB	3° eixo MB/191
O-500-U	06 /	PD/116-K	Knorr	PD/116-K	Knorr	
O-500-U (Articulado)	06 /	PD/116-K	Knorr	PD/116-K	Knorr	3° eixo PD/116-K
O-550 R 4x2		MB/190	MB	MB/191	MB	
O-550 RS 6x2		MB/190	MB	MB/191	MB	
O-550 RSD 6x2		MB/190	MB	MB/191	MB	3° eixo MB/190
OF-1113	82 / 86	MB/183	MB	MB/183	MB	
OF-1114	87 / 90	MB/183	MB	MB/183	MB	
OF-1115	87 / 92	MB/183	MB	MB/183	MB	
OF-1218	08 /	MB/194	Knorr	MB/195	Knorr	
OF-1313	70 / 83	MB/180	MB	MB/180	MB	
OF-1313	83 / 87	MB/183	MB	MB/183	MB	

MARCA / MODELO	Ano	Dianteira	Sistema	Traseira	Sistema	Obs.:
----------------	-----	-----------	---------	----------	---------	-------

MERCEDES-BENZ (continuação)						
OF-1314	87 / 89	MB/183	MB	MB/183	MB	
OF-1315	88 / 93	MB/183	MB	MB/183	MB	
OF-1318	87 / 98	MB/183	MB	MB/183	MB	
OF-1318	95 /	MB/184	MB	MB/185	MB	
OF-1417	98 /	MB/184	MB	MB/184 MB/185 MB/188	MB	
OF-1418	04 /	MB/184	MB	MB/185	MB	
OF-1519		MB/184	MB	MB/185	MB	
OF-1618	92 / 96	MB/184	MB	MB/188	MB	
OF-1620	93 / 98	MB/184	MB	MB/188	MB	
OF-1621	97 /	MB/184	MB	MB/185	MB	
OF-1622		MB/183	MB	MB/184	MB	
OF-1721	98 /	MB/184	MB	MB/188	MB	
OF-1722	02 /	MB/184	MB	MB/188	MB	Eletrônico
OF-1724		MB/184	MB	MB/188	MB	
OH-1313	70 / 83	MB/180	MB	MB/180	MB	
OH-1313	83 / 87	MB/183	MB	MB/184	MB	
OH-1314	87 / 90	MB/183	MB	MB/184	MB	
OH-1315	87 / 95	MB/183	MB	MB/184	MB	
OH-1316	64 / 83	MB/180	MB	MB/180 MB/181	MB	
OH-1316	83 / 86	MB/183	MB	MB/184	MB	
OH-1318	89 / 96	MB/183	MB	MB/184	MB	
OH-1417	03 /	MB/190	MB	MB/191	MB	
OH-1418	03 /	MB/190	MB	MB/191	MB	
OH-1419	79 / 82	MB/180	MB	MB/181	MB	
OH-1419	83 / 86	MB/183	MB	MB/184	MB	
OH-1420	87 / 90	MB/183	MB	MB/184	MB	
OH-1420	98 / 03	MB/184	MB	MB/184 MB/185	MB	
OH-1420	03 /	MB/184	MB	MB/188	MB	
OH-1421 L	99 / 03	MB/184	MB	MB/188	MB	
OH-1517	77 / 82	MB/180	MB	MB/181	MB	
OH-1517	83 / 86	MB/183	MB	MB/184	MB	
OH-1518	87 / 90	MB/183	MB	MB/184	MB	
OH-1518	07 /	MB/190	MB	MB/191	MB	
OH-1520	89 / 93	MB/183	MB	MB/184	MB	
OH-1621 L	97 /	MB/184	MB	MB/188	MB	
OH-1621 LE	97 / 01	MB/184	MB	MB/188	MB	
OH-1623 LG	00 /	MB/184	MB	MB/188	MB	
OH-1625 L	96 / 97	MB/184	MB	MB/188	MB	
OH-1628 L	98 / 05	MB/184	MB	MB/188	MB	
OH-1630	94 /	MB/184	MB	MB/188	MB	
OH-1635 L	95 / 98	MB/184	MB	MB/188	MB	
OH-1636 L	98 / 99	MB/184	MB	MB/188	MB	
OH-1636 L	02 /	MB/190	MB	MB/191	MB	
OH-1721	00 /	MB/184	MB	MB/188	MB	
OM-321	70 / 82	MB/176	MB	MB/176	MB	
OM-326	64 / 78	MB/180	MB	MB/181	MB	

MARCA / MODELO	Ano	Dianteira	Sistema	Traseira	Sistema	Obs.:
----------------	-----	-----------	---------	----------	---------	-------

MERCEDES-BENZ (continuação)

ÔNIBUS	Todos	MB/180 4524-B	MB Master	MB/180 4514-F	MB Bendix	
SPRINTER 310 D	97 / 99	PD/111 PD/111-A	Perrot	MB/157 MB/157-CP		
SPRINTER 310 D	00 / 01	PD/111 PD/111-A	Perrot	PD/118	Bosch	Freio de mão MB/162-CP
SPRINTER 310 D	00 / 01	PD/417	Teves	PD/118	Bosch	Freio de mão MB/162-CP
SPRINTER 311 Cdi	02 /	PD/111 PD/111-A	Perrot	PD/341	Teves	
SPRINTER 311 Cdi	02 /	PD/417	Teves	PD/341	Teves	
SPRINTER 312 D	00 / 01	PD/111 PD/111-A	Perrot	PD/118	Bosch	Freio de mão MB/162-CP
SPRINTER 312 D	00 / 01	PD/417	Teves	PD/118	Bosch	Freio de mão MB/162-CP
SPRINTER 313 Cdi	02 /	PD/111 PD/111-A	Perrot	PD/341	Teves	
SPRINTER 313 Cdi	02 /	PD/417	Teves	PD/341	Teves	
SPRINTER 412 D	00 / 02	PD/111 PD/111-A	Perrot	PD/111 PD/111-A	Perrot	
SPRINTER 413 Cdi	02 /	PD/111 PD/111-A	Perrot	PD/111 PD/111-A	Perrot	
VIANO (Bus/van)	09-03 /	PD/1094-A		PD/1095-A		
VITO (Bus/van)	09-03 /	PD/1094-A		PD/1095-A		

METALPI

3° EIXO	Todos			FI/117 MB/183 4515-C CA/32	Varga MB - Master	
CARRETA	/ 84			SV/226		
CARRETA	84 /			CA/32	Master	

MINUANO

CARRETA	Todos			SV/223		
---------	-------	--	--	--------	--	--

MITSUBISHI

AIRTREK SPACE RUNNER	00 /	PD/631	Sumitomo			
COLT 1.8 GTI	88 / 96	PD/469	Sumitomo			
ECLIPSE 2.0	/ 95	PD/383	Sumitomo			
ECLIPSE 2.0	95 /	PD/469	Sumitomo			
ECLIPSE	00 /	PD/631	Sumitomo			
ENDEAVER	04 / 05	PD/538	Sumitomo	PD/632	Sumitomo	
GALANT 2.0	97 / 00	PD/469	Sumitomo			
GALANT 2.0 V6 24V GS	93 / 97	PD/469	Sumitomo			
GALANT 2.5	93 /	PD/383	Akebono			
GALANT 2.5 V6	97 /	PD/469	Sumitomo			
GALANT	00 /	PD/631	Sumitomo			
L-200 2.5D	86 / 94	PD/377	Sumitomo	MI/139-CP		Importado
L-200 2.5D 4WD	93 / 97	PD/383	Akebono			Importado s/ABS
L-200 2.5D 4WD	97 / 00	PD/383	Akebono			Importado c/ABS

MARCA / MODELO	Ano	Dianteira	Sistema	Traseira	Sistema	Obs.:
----------------	-----	-----------	---------	----------	---------	-------

MITSUBISHI (continuação)						
L-200 2.5D	99 / 02	PD/377	Sumitomo	MI/139-CP		Brasileira
L-200 2.5D (exceto HPE e SPORT)	02 /	PD/383	Akebono			Brasileira
L-200 2.5D HPE	06-02 /	PD/500	Akebono	MI/198-CP		
L-200 2.5D SPORT	06-02 /	PD/500	Akebono	MI/198-CP		
L-200 TRITON	08 /	PD/771	Tokico			
L-300	89 /	PD/377	Akebono	MI/139-CP		
L-300 2.5 FURGÃO	96 /			PD/450	Akebono	
L-300 2.5 COMBI	96 /			PD/450	Akebono	
L-400 2.5 TDI FURGÃO	96 /			PD/450	Akebono	
L-400 2.5 TDI COMBI	96 /			PD/450	Akebono	
LANCER	04 /	PD/631	Sumitomo			
MONTERO	01 / 05	PD/538	Sumitomo	PD/632	Sumitomo	
MONTERO 1.8	01 /	PD/74	Sumitomo			
MONTERO 1.8 GDI	98 /			PD/450	Akebono	
MONTERO 2.3 TD	91 /			PD/450	Akebono	
MONTERO 2.4i GL	91 /			PD/450	Akebono	
MONTERO 2.4i GLX	91 /			PD/450	Akebono	
MONTERO 2.5 24V TD GL	90 /			PD/450	Akebono	
MONTERO 2.5 24V TD GLX	90 /			PD/450	Akebono	
MONTERO 2.8 TD	94 /			PD/450	Akebono	
MONTERO 3.0 V6	90 /			PD/450	Akebono	
MONTERO 3.0 V6 24V	94 /			PD/450	Akebono	
MONTERO SPORT 2.5 TD	97 /	PD/383	Akebono	PD/616	Sumitomo	
MONTERO SPORT 3.0i V6	97 /	PD/383	Akebono	PD/616	Sumitomo	
OUTLANDER	03 /	PD/631	Sumitomo	PD/632	Sumitomo	
OUTLANDER	05- 03 /	PD/383	Akebono			
PAJERO DAKAR 3.2 4X4	09 /	PD/771	Tokico			
PAJERO 1.8	01 /	PD/74	Sumitomo			
PAJERO 2.5 TDI GL	91 / 98	PD/383	Akebono	PD/450	Akebono	
PAJERO 2.5 TDI GLS	91 / 98	PD/383	Akebono	PD/450	Akebono	
PAJERO 2.5 TDI GLX	91 / 98	PD/383	Akebono	PD/450	Akebono	
PAJERO 2.6	/ 94			PD/450	Akebono	
PAJERO 2.8 TDI	91 /	PD/383	Akebono	PD/450	Akebono	
PAJERO 3.0i V6 24V GL	91 / 99			PD/450	Akebono	
PAJERO 3.0i V6 24V GLS	91 / 99			PD/450	Akebono	
PAJERO 3.0i V6 24V GLX	91 / 99			PD/450	Akebono	
PAJERO 3.5	91 /	PD/383	Akebono			
PAJERO 3.5i V6 24V GL	94 /			PD/450	Akebono	
PAJERO 3.5i V6 24V GLS	94 /			PD/450	Akebono	
PAJERO 3.5i V6 24V GLX	94 /			PD/450	Akebono	
PAJERO FULL	02 /	PD/538	Sumitomo	PD/632	Sumitomo	
PAJERO FULL	09 /	PD/528	Sumitomo	PD/695	Sumitomo	
PAJERO SPORT 2.5 TD	04 /	PD/500	Akebono	PD/616	Sumitomo	
PAJERO SPORT 3.5	04 /	PD/500	Akebono	PD/616	Sumitomo	
PAJERO SPORT 2.5 TD	97 / 04			PD/616	Sumitomo	
PAJERO SPORT 3.0i V6	97 / 04			PD/616	Sumitomo	
PAJERO TR4	02 /	PD/74	Sumitomo			
SPACE RUNNER 1.8	91 / 96	PD/469	Sumitomo			
SPACE RUNNER 2.0	91 / 96	PD/469	Sumitomo			
SPACE WAGON 1.8	91 / 96	PD/469	Sumitomo			

MARCA / MODELO	Ano	Dianteira	Sistema	Traseira	Sistema	Obs.:
----------------	-----	-----------	---------	----------	---------	-------

MITSUBISHI (continuação)						
SPACE WAGON 2.0	91 /	PD/469	Sumitomo			
SPACE WAGON 2.4	91 /	PD/469	Sumitomo			

NISSAN						
100 NX 1.6i 16V GTI	91 /	PD/532	Sumitomo			
100 NX 1.8i	91 /	PD/532	Sumitomo			
100 NX 2.0i 16V GT	91 /	PD/532	Sumitomo			
100 NX Coupé	91 /	PD/532	Sumitomo			
100 SX 1.6	91 /	PD/532	Sumitomo			
100 SX 1.8	91 /	PD/532	Sumitomo			
100 SX 2.0 i 16V Coupe	91 /	PD/532	Sumitomo			
240 SX	97 / 98	PD/453	Sumitomo			
350 Z	03 / 05	PD/728		PD/585		
350 Z	06 /			PD/585		
ALTIMA	98 / 01	PD/550		PD/692	Sumitomo	
ALTIMA	01 /	PD/728		PD/585		
ALTIMA	05 / 06	PD/638		PD/585		
FRONTIER 2.5	01 /	PD/427	Akebono	NI/175-CP	Akebono	
FRONTIER 2.8 TDI (Brasileira)	01 /	PD/427	Akebono	NI/175-CP	Akebono	
FRONTIER 2.8 TDI (Brasileira)	02 /	PD/427	Akebono	NI/174-CP		Freio traseiro Ø295x50mm
FRONTIER 2WD	98 / 04	PD/534		NI/174-CP		Freio traseiro Ø295x50mm
FRONTIER 2WD	98 / 04	PD/427	Akebono	NI/174-CP		Freio traseiro Ø295x50mm
FRONTIER 4WD	98 / 04	PD/534		NI/174-CP		Freio traseiro Ø295x50mm
FRONTIER 4WD	98 / 04	PD/427	Akebono	NI/174-CP		Freio traseiro Ø295x50mm
FRONTIER SEL	08 /	PD/811	Tokico	PD/1072		
LIVINA 1.6 16V	10 /	PD/672		NI/176-CP		
LIVINA 1.8 16V	10 /	PD/672		NI/176-CP		
LIVINA GRAND 1.8 16V	10 /	PD/672		NI/176-CP		
LIVINA GRAND S 1.8 16V	10 /	PD/672		NI/176-CP		
LIVINA GRAND SL 1.8 16V	10 /	PD/672		NI/176-CP		
LIVINA S 1.6 16V	10 /	PD/672		NI/176-CP		
LIVINA S 1.8 16V	10 /	PD/672		NI/176-CP		
LIVINA SL 1.6 16V	10 /	PD/672		NI/176-CP		
LIVINA SL 1.8 16V	10 /	PD/672		NI/176-CP		
LIVINA X-GEAR 1.6 16V	10 /	PD/672		NI/176-CP		
LIVINA X-GEAR S 1.6 16V	10 /	PD/672		NI/176-CP		
LIVINA X-GEAR SL 1.6 16V	10 /	PD/672		NI/176-CP		
LIVINA X-GEAR SL 1.8 16V	10 /	PD/672		NI/176-CP		
MAXIMA	89 / 90	PD/550				
MAXIMA	95 / 01			PD/692	Sumitomo	
MAXIMA	00 / 03	PD/728				
MAXIMA	04 / 07	PD/638		PD/585		
MURANO	03 /	PD/638		PD/585		
NAVARA	05 /	PD/811	Tokico			

MARCA / MODELO	Ano	Dianteira	Sistema	Traseira	Sistema	Obs.:
----------------	-----	-----------	---------	----------	---------	-------

NISSAN (continuação)						
NX-1600	90 / 94	PD/532	Sumitomo			
NX-2000 XE / SE	90 / 94	PD/532	Sumitomo			
PATHFINDER	96 / 01	PD/561		NI/174-CP		Freio traseiro Ø295x50mm
PATHFINDER	01 / 04	PD/562		NI/174-CP		Freio traseiro Ø295x50mm
PATHFINDER	05 /	PD/811	Tokico			
QUEST	03	PD/536				
QUEST	04 /	PD/562		PD/585		
SENTRA	00 / 01	PD/550		PD/692	Sumitomo	
SENTRA	01 / 06	PD/453	Sumitomo			
SENTRA	07 /	PD/728		NI/176-CP		
SENTRA 1.4	91 / 96	PD/532	Sumitomo			
SENTRA 1.6 16V	91 / 96	PD/532	Sumitomo			
SENTRA 1.8L	04 / 06	PD/453	Sumitomo			
TERRANO 2.7 TD	87 /	PD/427	Akebono			
TERRANO 3.0 V6	88 /	PD/427	Akebono			
TERRANO D-22 4x4		PD/534				
TIDA	06 /	PD/672				
XTERRA	00 / 02	PD/536		NI/174-CP		Freio traseiro Ø295x50mm
XTERRA - 4x2	02 / 03	PD/427	Akebono	NI/174-CP		Freio traseiro Ø295x50mm
XTERRA	03 / 04	PD/534		NI/174-CP		Freio traseiro Ø295x50mm
XTERRA 4X4	03 /	PD/534		NI/174-CP		
XTERRA	05 /	PD/811	Tokico	PD/1072		
X-TRAIL	01 / 04	PD/561				

NOMA						
3° EIXO	/ 78			4195-B		
3° EIXO	79 /			4514-F	Bendix	
CARRETA	Todos			CA/32	Master	

OTTO-DEUTZ (Demisa)						
DM-65				TR/312		
DM-90				TR/312		

PASTRE						
3° EIXO	83 /			4514-F 4515-C	Bendix -	
CARRETA	83 /			CA/32	Master	

PEUGEOT						
106 1.0i	91 /	PD/522-E	Bendix	PG/206-CP	Bendix	Freio traseiro Ø164x32mm
106 1.1i	91 /	PD/522-E	Bendix	PG/206-CP	Bendix	Freio traseiro Ø164x32mm

MARCA / MODELO	Ano	Dianteira	Sistema	Traseira	Sistema	Obs.:
----------------	-----	-----------	---------	----------	---------	-------

PEUGEOT (continuação)						
106 1.3	94 /	PD/522-E	Bendix	PG/206-CP	Bendix	Freio traseiro Ø164x32mm
106 1.3i RALLYE	91 / 96	PD/522-E	Bendix	PG/206-CP	Bendix	Freio traseiro Ø164x32mm
106 1.4 D	91 / 96	PD/522-E	Bendix	PG/206-CP	Bendix	Freio traseiro Ø164x32mm
106 1.4i	91 /	PD/522-E	Bendix	PG/206-CP	Bendix	Freio traseiro Ø164x32mm
106 1.4	95 /	PD/364-A	Teves	PG/206-CP	Bendix	Freio traseiro Ø164x32mm
106 1.5 D	91 /	PD/522-E	Bendix	PG/206-CP	Bendix	Freio traseiro Ø164x32mm
106 1.6i	91 / 96	PD/522-E	Bendix	PD/465	Bendix	
106 1.6 16V	96 /	PD/364-A	Teves	PD/465	Bendix	
205 1.9 CTI CABRIOLET	91 / 98			PD/465	Bendix	
205 1.9 GTI	91 / 98			PD/465	Bendix	
205 1.9 RALLYE	91 / 98			PD/465	Bendix	
205 1.0	83 / 94			PG/204-CPA	Girling	Freio traseiro Ø180x32mm
205 1.1	83 / 94			PG/204-CPA	Girling	Freio traseiro Ø180x32mm
205 1.3	83 / 94			PG/204-CPA	Girling	Freio traseiro Ø180x32mm
205 1.4	83 / 94			PG/204-CPA	Girling	Freio traseiro Ø180x32mm
205 JUNIOR 1.4 3P	94 /			PG-203-CP	Bendix	Freio traseiro Ø180x32mm
206 1.0	01 / 08	PD/435	Bosch	PG/202-CP	Bosch	
206 1.0	99 / 01	PD/412	Bendix	PG/202-CP	Bosch	
206 1.4	05 / 08	PD/435	Bosch	PG/202-CP	Bosch	
206 1.6	01 / 08	PD/435	Bosch	PG/202-CP	Bosch	
206 1.6	99 / 01	PD/412	Bendix	PG/202-CP	Bosch	
206 SW 1.4	05 / 08	PD/435	Bosch	PG/209-CPA	Bosch	
206 SW 1.6	05 / 08	PD/435	Bosch	PG/209-CPA	Bosch	
206 1.6 16V	07-02 /	PD/505	Bosch	PG/202-CP	Bosch	
206 1.6 16V CC	99 /	PD/507	Bosch	PD/465	Bendix	
206 1.6 16V RALLYE	01 /	PD/507	Bosch	PD/465	Bendix	
206 2.0 16V CC	07-02 /	PD/505	Bosch	PD/465	Bendix	
206 2.0 16V S16	00 /	PD/507	Bosch	PD/465	Bendix	
206 2.0 GTI	99 /	PD/507	Bosch	PD/465	Bendix	
206 2.0 HDI	07-02 /	PD/507	Bosch	PD/465	Bendix	
207 COUPE CABRIOLET 1.6	07 /	PD/435	Bosch	PD/465	Bendix	
207 HATCH X-LINE FLEX 1.4	07 /	PD/435	Bosch	PG/202-CP	Bosch	
207 HATCH XR/SPORT FLEX 1.4	07 /	PD/435	Bosch	PG/202-CP	Bosch	
207 HATCH XS FLEX 1.6	07 /	PD/435	Bosch	PD/465	Bendix	
207 HATCH 1.6	07 /	PD/435	Bosch	PD/465	Bendix	
207 SEDAN PASSION XR/SPORT FLEX 1.4	07 /	PD/435	Bosch	PG/202-CP	Bosch	
207 SEDAN PASSION XS FLEX 1.8	07 /	PD/435	Bosch	PD/465	Bendix	
207 SEDAN PASSION XS 1.8 - 2.0	07 /	PD/435	Bosch	PD/465	Bendix	
207 SEDAN PASSION XS FLEX 1.6	07 /	PD/435	Bosch	PD/465	Bendix	

MARCA / MODELO	Ano	Dianteira	Sistema	Traseira	Sistema	Obs.:
----------------	-----	-----------	---------	----------	---------	-------

PEUGEOT (continuação)						
207 SW 2.0	07 /	PD/435	Bosch	PD/465	Bendix	
207 SW ESCAPADE FLEX 1.6	07 /	PD/435	Bosch	PD/465	Bendix	
207 SW XR/SPORT FLEX 1.4	07 /	PD/435	Bosch	PG/202-CP	Bosch	
207 SW XS FLEX 1.4	07 /	PD/435	Bosch	PG/202-CP	Bosch	
207 SW XS FLEX 1.6	07 /	PD/435	Bosch	PD/465	Bendix	
306 1.6	93 /			PG/204-CPA	Girling	Freio traseiro Ø180x32mm
306 1.8 2.0	98 /	PD/364-A PD/411-E	Teves Girling	PG/204-CPA	Girling	Freio traseiro Ø180x32mm
306 1.8 CABRIOLET	94 /			PD/465	Bendix	
306 2.0 CABRIOLET	94 /			PD/465	Bendix	
306 2.0i 16V GTI	95 /	PD/405-E	Girling	PD/465	Bendix	
306 2.0i 16V XSI	95 /	PD/405-E	Girling	PD/465	Bendix	
306 BREAK	98 /	PD/364-A PD/411-E	Teves Girling	PD/465	Bendix	
307 1.4	03-02 /	PD/505	Bosch	PD/362	Girling	sem ESP
307 1.4 16V	02-04 /	PD/505	Bosch	PD/362	Girling	sem ESP
307 1.6	08-00 /	PD/505	Bosch	PD/362	Girling	sem ESP
307 1.6 HDI	02-04 /	PD/505	Bosch	PD/362	Girling	sem ESP
307 1.6i 16V	02 /	PD/346	Bosch	PD/362	Girling	
307 2.0 HDI	08-00 /	PD/505	Bosch	PD/362	Girling	sem ESP
307 2.0 HDI	02 /	PD/346	Bosch	PD/362	Girling	
307 2.0i 16V	02 /	PD/346	Bosch	PD/362	Girling	
405 GL	92 /	PD/322-A	Bendix	PD/362	Girling	
405 GL 1.6	93 / 00	PD/322-A	Bendix	PG/207-CPA	Bendix	Freio traseiro Ø228,6x42,0mm
405 GL 1.8	93 / 00	PD/322-A	Bendix	PG/207-CPA	Bendix	Freio traseiro Ø228,6x42,0mm
405 GL 2.0	93 / 00	PD/322-A	Bendix	PG/207-CPA	Bendix	Freio traseiro Ø228,6x42,0mm
405 SRI	92 /	PD/326-A	Girling	PD/362	Girling	
405 STI	92 /	PD/326-A	Girling	PD/362	Girling	
406 2.0	98 /	PD/414-E	Girling			Aro 14"
406 2.0 16V	95 /	PD/405-E	Girling			Aro 15"
504	82 / 93	PD/312-A	Bendix	8020		
504	93 / 00	PD/312-A	Bendix	PG-/205-CPA		Freio traseiro Ø255,0x61,0mm
505	82 / 93	PD/312-A	Bendix	8020		
505	93	PD/312-A	Bendix	PG-/205-CPA		Freio traseiro Ø255,0x61,0mm
BOXER 1.9 D	00 / 02	PD/369-B	Girling	FI/170-CPA	Girling	Aro 15"
BOXER 1.9 D	94 / 99	PD/358 PD/358-A	Girling	FI/170-CPA	Girling	Aro 15"
BOXER 2.5 TD SERIE 1400	00 / 02	PD/369-B	Girling	FI/170-CPA	Girling	Aro 15"
BOXER 2.5 TD SERIE 1400	94 / 99	PD/358 PD/358-A	Girling	FI/170-CPA	Girling	Aro 15"
BOXER 2.5 TD SERIE 1800	00 / 02	PD/438-B	Girling	FI/199-CPA	Girling	Aro 16"
BOXER 2.5 TD SERIE 1800	94 / 99	PD/422 PD/422-A	Girling	FI/199-CPA	Girling	Aro 16"

MARCA / MODELO	Ano	Dianteira	Sistema	Traseira	Sistema	Obs.:
----------------	-----	-----------	---------	----------	---------	-------

PEUGEOT (continuação)						
BOXER SERIE 290	04-02 / 04	PD/498-A	Bosch	PD/501	Bosch	Freio de mão FI/196-CP
BOXER SERIE 290	05 /	PD/498-A	Bosch	PD/501	Bosch	Freio de mão FI/322-CP
BOXER SERIE 330	04-02 / 04	PD/498-A	Bosch	PD/501	Bosch	Freio de mão FI/196-CP
BOXER SERIE 330	05 /	PD/498-A	Bosch	PD/501	Bosch	Freio de mão FI/322-CP
BOXER SERIE 350 - 2.2 Hdí	02 / 04	PD/652-B	Bosch	PD/501	Bosch	Freio de mão FI/196-CP
BOXER SERIE 350 - 2.2 Hdí	05 /	PD/652-B	Bosch	PD/501	Bosch	Freio de mão FI/322-CP
BOXER SERIE 350 - 2.8 Hdí	02 / 04	PD/652-B	Bosch	PD/501	Bosch	Freio de mão FI/196-CP
BOXER SERIE 350 - 2.8 Hdí	05 /	PD/652-B	Bosch	PD/501	Bosch	Freio de mão FI/322-CP
BOXER SERIE 350 - 2.8 Hdí 4x4	02 / 04	PD/652-B	Bosch	PD/501	Bosch	Freio de mão FI/196-CP
BOXER SERIE 350 - 2.8 Hdí 4x4	05 /	PD/652-B	Bosch	PD/501	Bosch	Freio de mão FI/322-CP
BOXER 30 2.2	06 /	PD/1099-B	Brembo			
BOXER 30 3.0 HDI	06 /	PD/1099-B	Brembo			
BOXER 33 2.2	06 /	PD/1099-B	Brembo			
BOXER 33 3.0 HDI	06 /	PD/1099-B	Brembo			
HOGGAR ESCAPADE 1.6 16V	10 /	PD/435	Bosch	PE/172-CPA	Girling	
HOGGAR X-LINE 1.4 8V	10 /	PD/435	Bosch	PE/172-CPA	Girling	
HOGGAR XR 1.4 8V	10 /	PD/435	Bosch	PE/172-CPA	Girling	
PARTNER 1.8	99 /	PD/411-E	Girling	PE/172-CPA	Girling	
PICK-UP 504 T4-B	90 /	PD/312-A	Bendix	8020		
PICK-UP 504 T5-B	90 /	PD/312-A	Bendix	8020		

PUMA						
914	89 /	PD/102	Varga	FD/72	Bendix	
CAMINHÃO 4 T	79 / 87	2026-AT		FD/72	Bendix	
GTB	73 / 76	PD/7	Varga	855	Varga	
GTB	77 / 79	PD/8	Varga	855	Varga	
GTB S2	79 / 84	PD/8	Varga	855	Varga	
GTB S3	79 / 84	PD/8	Varga	855	Varga	
GTC	81 / 84	PD/5	Teves	VW/272	VW	
GTE	69 / 80	PD/5	Teves	VW/272	VW	
GTI	81 / 84	PD/5	Teves	VW/272	VW	
GTS	70 / 80	PD/5	Teves	VW/272	VW	
P018	81 / 84	PD/5	Teves	VW/272	VW	

RANDON						
3º EIXO	58 / 70			4195-A		
3º EIXO	71 / 87			4195-B		
3º EIXO	87 /			4514-G	Master	

MARCA / MODELO	Ano	Dianteira	Sistema	Traseira	Sistema	Obs.:
----------------	-----	-----------	---------	----------	---------	-------

RANDON (continuação)

3° EIXO	99 /			4707 FD/88	Master	
CARRETA	63 / 87			SV/223 SV/226		
CARRETA	87 / 97			CA/32	Master	
CARRETA	98			4718	Master	
CARRETA	99 /			CA/33	Master	

RECRUSUL

CARRETA	/ 78			4515-C		
CARRETA	78 /			CA/32	Master	

RENAULT

AE - Series / MAGNUM	93 / 95	PD/125	Meritor			
AE - Series / MAGNUM	00 /	PD/125	Meritor			
AE - Series / MAGNUM	00 /	PD/129	Meritor			
CLIO RL 1.0	99 /	PD/338 PD/338-A	Girling	RN/131-CPA	Girling	
CLIO RN 1.0	99 /	PD/338 PD/338-A	Girling	RN/131-CPA	Girling	
CLIO RL 1.6	96 / 00	PD/338 PD/338-A	Girling	RN/212-CPA	TRW	
CLIO RN 1.6	96 / 00	PD/338 PD/338-A	Girling	RN/212-CPA	TRW	
CLIO RN 1.6	96 / 98	PD/322-A	Bendix	RN/212-CPA	TRW	Importado
CLIO RN 1.6 16V	01	PD/338 PD/338-A	Girling	RN/131-CPA	Girling	
CLIO RT 1.6	96 / 00	PD/338 PD/338-A	Girling	RN/212-CPA	TRW	
CLIO RT 1.6 16V	01	PD/338 PD/338-A	Girling	RN/131-CPA	Girling	
CLIO SEDAN RN 1.6 16V	00 /	PD/338 PD/338-A	Girling	RN/131-CPA	Girling	
CLIO SEDAN RT 1.6 16V	00 /	PD/338 PD/338-A	Girling	RN/131-CPA	Girling	
CLIO SI 1.6 16V	00 /	PD/338 PD/338-A	Girling	PD/465	Bendix	
FLUENCE 2.0 16V	10 /			PD/362	Girling	
ILIADE	06-00 /	PD/129	Meritor	PD/129	Meritor	
KANGOO 1.0 RL	00 /	PD/412-B	Bendix	RN/214-CP	Bosch	
KANGOO 1.0 RN	00 /	PD/412-B	Bendix	RN/214-CP	Bosch	
KANGOO 1.6 RL	00 /	PD/412-B	Bendix	RN/214-CP	Bosch	
KANGOO 1.6 RN	00 /	PD/412-B	Bendix	RN/214-CP	Bosch	
LAGUNA 1.6	93 / 01	PD/391-A	Girling	PD/482	Brembo	
LAGUNA 1.8	93 / 01	PD/391-A	Girling	RN/171-CPA	Girling	
LAGUNA 1.8	97 / 01	PD/391-A	Girling	PD/482	Brembo	
LAGUNA 2.0	93 / 01	PD/391-A	Girling	RN/171-CPA	Girling	
LAGUNA 2.0	97 / 01	PD/391-A	Girling	PD/482	Brembo	
LAGUNA 2.2 D	93 / 01	PD/391-A	Girling			
LAGUNA 2.2 D	97 / 01	PD/391-A	Girling	PD/482	Brembo	

MARCA / MODELO	Ano	Dianteira	Sistema	Traseira	Sistema	Obs.:
----------------	-----	-----------	---------	----------	---------	-------

RENAULT (continuação)						
LAGUNA 3.0 V6	93 / 01	PD/391-A	Girling			
LAGUNA 3.0 V6	97 / 01	PD/391-A	Girling	PD/482	Brembo	
LAGUNA GRANDTOUR 1.6	95 / 01	PD/391-A	Girling	PD/482	Brembo	
LAGUNA GRANDTOUR 1.8	95 / 01	PD/391-A	Girling	PD/482	Brembo	
LAGUNA GRANDTOUR 1.9 dTi	95 / 01	PD/391-A	Girling	PD/482	Brembo	
LAGUNA GRANDTOUR 2.0	95 /	PD/391-A	Girling	RN/171-CPA	Girling	
LAGUNA GRANDTOUR 2.0	97 / 01	PD/391-A	Girling	PD/482	Brembo	
LAGUNA GRANDTOUR 2.2 D	95 /	PD/391-A	Girling	RN/171-CPA	Girling	
LAGUNA GRANDTOUR 2.2 D	97 / 01	PD/391-A	Girling	PD/482	Brembo	
LAGUNA GRANDTOUR 3.0 V6	95 /	PD/391-A	Girling	RN/171-CPA	Girling	
LAGUNA GRANDTOUR 3.0 V6	97 / 01	PD/391-A	Girling	PD/482	Brembo	
LOGAN 1.0	08 /	PD/338	Girling	RN/324-CPA		
LOGAN 1.6	08 /	PD/338	Girling	RN/324-CPA		
LOGAN 1.8	08 /	PD/338	Girling			
LOGAN 1.6 16V	08 /	PD/338	Girling	RN/325-CPA		Freio traseiro Ø203,0x39,0mm
LOGAN 1.6 8V	08 /	PD/338	Girling	RN/325-CPA		Freio traseiro Ø203,0x39,0mm
MAGNUM E-TECH	00 /	PD/129	Meritor	PD/129	Meritor	
MASTER 2.5 DCI	02 /	PD/347	Bosch	PD/516	Bosch	
MASTER 2.8 D	02 /	PD/347	Bosch	PD/516	Bosch	
MASTER 2.8 DTI	02 /	PD/347	Bosch	PD/516	Bosch	
MEGANE COUPE 2.0 16V	96 /			PD/465	Bendix	
MEGANE HATCH 1.6	97 /	PD/391-A	Girling	RN/213-CP	Bosch	Freio traseiro Ø203x38mm
MEGANE HATCH RN 1.6	98 / 00	PD/338 PD/338-A	Girling	RN/213-CP	Bosch	Freio traseiro Ø203x38mm
MEGANE HATCH RT 1.6	98 / 00	PD/338 PD/338-A	Girling	RN/213-CP	Bosch	Freio traseiro Ø203x38mm
MEGANE HATCH RT 1.6 16V	98 /	PD/338 PD/338-A	Girling	RN/213-CP	Bosch	Freio traseiro Ø203x38mm
MEGANE HATCH RXE 1.6 16V	00 /	PD/338 PD/338-A	Girling	RN/213-CP	Bosch	Freio traseiro Ø203x38mm
MEGANE HATCH 2.0	97 /	PD/391-A	Girling	RN/213-CP	Bosch	Freio traseiro Ø203x38mm
MEGANE HATCH RXE 2.0	98 / 00	PD/338 PD/338-A	Girling	RN/213-CP	Bosch	Freio traseiro Ø203x38mm
MEGANE SEDAN RT 16V	00 /	PD/338 PD/338-A	Girling	RN/213-CP	Bosch	Freio traseiro Ø203x38mm
MEGANE SEDAN 2.0	97 /	PD/391-A	Girling	RN/213-CP	Bosch	Freio traseiro Ø203x38mm
MEGANE SEDAN RT 2.0	98 / 00	PD/338 PD/338-A	Girling	RN/213-CP	Bosch	Freio traseiro Ø203x38mm
MEGANE SEDAN RXE 2.0	98 /	PD/338 PD/338-A	Girling	RN/213-CP	Bosch	Freio traseiro Ø203x38mm
MEGANE II 1.4 16V	10-03 /	PD/601	Bosch	PD/362	Girling	
MEGANE II 1.5 DCI	11-02 /	PD/601	Bosch	PD/362	Girling	
MEGANE II 1.6	09-03 /	PD/601	Bosch	PD/362	Girling	
MEGANE II 1.6 16V	11-02 /	PD/601	Bosch	PD/362	Girling	
MEGANE II 1.6 CONVERSÍVEL	09-03 /	PD/601	Bosch	PD/362	Girling	

MARCA / MODELO	Ano	Dianteira	Sistema	Traseira	Sistema	Obs.:
----------------	-----	-----------	---------	----------	---------	-------

RENAULT (continuação)						
MEGANE II 1.6 COUPE	09-03 /	PD/601	Bosch	PD/362	Girling	
MEGANE II 1.9 DCI	11-02 /	PD/601	Bosch	PD/362	Girling	
MEGANE II 1.9 DCI CONVERSÍVEL	09-03 /	PD/601	Bosch	PD/362	Girling	
MEGANE II 1.9 DCI COUPE	09-03 /	PD/601	Bosch	PD/362	Girling	
MEGANE II 2.0	09-03 /	PD/601	Bosch	PD/362	Girling	
MEGANE II 2.0 16V	11-02 /	PD/601	Bosch	PD/362	Girling	
MEGANE II 2.0 CONVERSÍVEL	09-03 /	PD/601	Bosch	PD/362	Girling	
MEGANE II 2.0 COUPE	09-03 /	PD/601	Bosch	PD/362	Girling	
NEVADA TXI	90 /	PD/321-A	Bendix			
PREMIUM	00 /	PD/125	Meritor			
PREMIUM	96 / 05-00			PD/129	Meritor	
PREMIUM	06-00 /	PD/129	Meritor	PD/129	Meritor	
R-19 CHAMADE 1.7 GTX	93 /	PD/338-A	Girling	PD/465	Bendix	
R-19 CHAMADE 1.7 TXE	93 /	PD/338-A	Girling	PD/465	Bendix	
R-19 COUPE 2.0 16V	96 /			PD/465	Bendix	
R-19 RN	93 / 96	PD/305-A	Girling	RN-215-CP		Freio traseiro Ø180,0x42,0mm
R-19 RN	93 / 98	PD/322-A	Bendix			Importado
R-19 RN	96 /	PD/338 PD/338-A	Girling	RN/212-CPA	TRW	
R-19 RT	93 / 96	PD/305-A	Girling	RN/216-CP		Freio traseiro Ø203,0x39,0mm
R-19 RT	93 / 98	PD/322-A	Bendix			Importado
R-19 RT	96 /	PD/338 PD/338-A	Girling	RN/212-CPA	TRW	
R-19 1.8	/ 96			RN/216-CP		Freio traseiro Ø203,0x39,0mm
R-19 2.0	/ 96			RN/216-CP		Freio traseiro Ø203,0x39,0mm
R-21	92 / 97			RN-215-CP		Freio traseiro Ø180,0x42,0mm
R-21 NEVADA	92 / 97			RN-215-CP		Freio traseiro Ø180,0x42,0mm
R-21 GTX	90 /	PD/321-A	Bendix			
R-21 TXE	90 /	PD/321-A	Bendix			
R 380.17	93 / 96	PD/125	Meritor			
R 380.19	93 / 96	PD/125	Meritor			
R 385 TL	93 / 96	PD/125	Meritor			
SANDERO	07 /	PD/338	Girling	RN/325-CPA		Freio traseiro Ø203,0x39,0mm
SANDERO 1.0	08 /	PD/338	Girling	RN/324-CPA		
SANDERO 1.6	08 /	PD/338	Girling	RN/324-CPA		
SCENIC 1.6	98 /	PD/391-A	Girling	RN/171-CPA	Girling	
SCENIC 1.6	98 /	PD/391-A	Girling	PD/362	Girling	com ABS
SCENIC 1.9	96 /	PD/391-A	Girling	RN/171-CPA	Girling	
SCENIC 2.0	96 /	PD/391-A	Girling	RN/171-CPA	Girling	
SCENIC 2.0	96 /	PD/391-A	Girling	PD/362	Girling	com ABS
SYMBOL EXPRESSION 1.6 16V	09 /	PD/338	Girling			

MARCA / MODELO	Ano	Dianteira	Sistema	Traseira	Sistema	Obs.:
----------------	-----	-----------	---------	----------	---------	-------

RENAULT (continuação)						
SYMBOL EXPRESSION HI - FLEX 1.6 8V	09 /	PD/338	Girling			
SYMBOL PRIVILEGE 1.6 16V	09 /	PD/338	Girling			
TRAFIC	91 /	PD/318-A	Bendix	RN/210 RN/326-CPA		
TWINGO	93 / 98	PD/327	Bendix	RN/131-CPA	Girling	
TWINGO	93 / 98	PD/338	Girling	RN/215-CP		Freio traseiro Ø180,0x42,0mm
TWINGO	93 / 98	PD/338	Girling	RN/131-CPA	Girling	

RODOVIÁRIA						
3º EIXO	65 /			4195-B SV/223 SV/226		
CARRETA	65 / 73			SV/223		
CARRETA	74 /			SV/223 SV/226		

ROSSETTI						
3º EIXO	65 /			4195-B		
CARRETA	66 /			SV/223		
CARRETA	00 /			CA/32		

SCANIA						
B-100	71 / 76	SV/224	Scania	SV/226	Scania	
B-110	72 / 82	SV/224	Scania	SV/226	Scania	
B-111	76 / 81	SV/224	Scania	SV/226	Scania	
B-76	64 / 71	SV/222	Scania	SV/223	Scania	3º eixo SV/224
BR-115	75 / 82	SV/224	Scania	SV/226	Scania	
BR-116	76 / 82	SV/224	Scania	SV/226	Scania	
F-112	83 / 91	SV/224	Scania	SV/226	Scania	
F-112	86 / 91	SV/223	Scania	SV/227	Scania	
F-113	91 / 93	SV/223 SV/224	Scania	SV/226 SV/227	Scania	
F-113	93 /	SV/228 SV/229	Scania	SV/230 SV/231	Scania	
F-94 4x2	98 /	SV/230	Scania	SV/231	Scania	
K-112	83 / 91	SV/224	Scania	SV/226	Scania	
K-112	86 / 91	SV/223	Scania	SV/227	Scania	
K-113	91 / 93	SV/223 SV/224	Scania	SV/226 SV/227	Scania	
K-113	93 /	SV/228 SV/229	Scania	SV/230 SV/231	Scania	
K-113 T	93 /	SV/228 SV/229	Scania	SV/230 SV/231	Scania	3º eixo SV/228 SV/229
K-124 4x2	98 /	SV/230	Scania	SV/231	Scania	
K-124 6x2	98 /	SV/230	Scania	SV/231	Scania	3º eixo SV/230
K-124 EB 6x2	00 /	PD/116-K	Knorr	PD/116-K	Knorr	3º eixo SV/230
K-124 EB 8x2	00 /	PD/116-K	Knorr	PD/116-K	Knorr	3º eixo SV/230
K-230 4x2	08 /	SV/229 PD/116	Scania	SV/230 PD/116	Scania	Freio a Tambor Freio a Disco (opcional)

MARCA / MODELO	Ano	Dianteira	Sistema	Traseira	Sistema	Obs.:
----------------	-----	-----------	---------	----------	---------	-------

SCANIA (continuação)						
K-270 4x2	08 /	SV/229 PD/116	Scania	SV/230 PD/116	Scania	Freio a Tambor Freio a Disco (opcional)
K-310 4x2	08 /	SV/230 PD/116	Scania	SV/231 PD/116	Scania	Freio a Tambor Freio a Disco (opcional)
K-340 4x2	08 /	SV/229 PD/116	Scania	SV/230 PD/116	Scania	Freio a Tambor Freio a Disco (opcional)
K-380 4x2, 6x2	08 /	SV/229 PD/116	Scania	SV/230 PD/116	Scania	Freio a Tambor Freio a Disco (opcional)
K-420 4x2, 6x2	08 /	SV/229 PD/116	Scania	SV/230 PD/116	Scania	Freio a Tambor Freio a Disco (opcional)
K-94	98 /	SV/230	Scania	SV/231	Scania	Ônibus Rodoviário
KS-140	75 / 78	SV/224	Scania	SV/226	Scania	
KT-112	83 / 91	SV/224	Scania	SV/226	Scania	3º eixo SV/224
KT-112	86 / 91	SV/223	Scania	SV/227	Scania	3º eixo SV/223
KT-113	91 / 93	SV/223 SV/224	Scania	SV/226 SV/227	Scania	3º eixo SV/223 SV/224
L-100	71 / 76	SV/224	Scania	SV/226	Scania	
L-101	78	SV/224	Scania	SV/226	Scania	
L-110	72 / 82	SV/224	Scania	SV/226	Scania	
L-111	76 / 81	SV/224	Scania	SV/226	Scania	
L-112	90 / 91	SV/223 SV/224	Scania	SV/226 SV/227	Scania	Urbano
L-113	91 / 93	SV/223 SV/224	Scania	SV/226 SV/227	Scania	Urbano
L-113	93 /	SV/228 SV/229	Scania	SV/230 SV/231	Scania	Urbano
L-141	79 / 81	SV/224	Scania	SV/226	Scania	
L-75	58 / 63	SV/222	Scania	SV/223	Scania	3º eixo SV/224
L-76	64 / 71	SV/222	Scania	SV/223	Scania	3º eixo SV/224
L-94 4x2	98 /	SV/230	Scania	SV/231	Scania	Urbano
L-94 IB	00 /	SV/230	Scania	SV/231	Scania	Urbano
L-94 UB	00 /	SV/230	Scania	SV/231	Scania	Urbano
LK-140	75 / 78	SV/224	Scania	SV/226	Scania	
LKS-141	79 / 81	SV/224	Scania	SV/226	Scania	
LKT-141	79 / 81	SV/224	Scania	SV/226	Scania	
LS-100	71 / 76	SV/224	Scania	SV/226	Scania	
LS-101	78	SV/224	Scania	SV/226	Scania	
LS-110	72 / 82	SV/224	Scania	SV/226	Scania	
LS-111	76 / 81	SV/224	Scania	SV/226	Scania	
LS-76	64 / 71	SV/222	Scania	SV/223	Scania	3º eixo SV/224
LT-110	72 / 82	SV/224	Scania	SV/226	Scania	
LT-111	76 / 81	SV/224	Scania	SV/226	Scania	
LT-76	64 / 71	SV/222	Scania	SV/223	Scania	3º eixo SV/224
P-114 4x2	98 /	SV/230	Scania	SV/231	Scania	
P-114 6x4	98 /	SV/230	Scania	SV/231	Scania	3º eixo SV/231
P-124 4x2	98 /	SV/230	Scania	SV/231	Scania	
P-124 6x2	98 /	SV/230	Scania	SV/231	Scania	3º eixo SV/231
P-124 6x4	98 /	SV/230	Scania	SV/231	Scania	3º eixo SV/231
P-124 8x2	98 /	SV/230	Scania	SV/230	Scania	

MARCA / MODELO	Ano	Dianteira	Sistema	Traseira	Sistema	Obs.:
----------------	-----	-----------	---------	----------	---------	-------

SCANIA (continuação)						
P-230	98 /	SV/230	Scania	SV/231	Scania	3° eixo SV/231
P-420	06 /	SV/230	Scania	SV/231	Scania	
P-93	95 /	SV/229	Scania	SV/231	Scania	
P-94 4x2	98 /	SV/230	Scania	SV/231	Scania	
P-94 6x2	98 /	SV/230	Scania	SV/231	Scania	3° eixo SV/231
P-94 6x4	98 /	SV/230	Scania	SV/231	Scania	3° eixo SV/231
P-340 (P,G,R)	07 /	SV/229 PD/116	Scania	SV/231 PD/116	Scania	Freio a Tambor Freio a Disco
R-112 E	81 / 91	SV/224	Scania	SV/226	Scania	3° eixo SV/226
R-112 E	90 / 91	SV/223	Scania	SV/227	Scania	3° eixo SV/227
R-112 H	81 / 91	SV/224	Scania	SV/226	Scania	3° eixo SV/226
R-112 H	90 / 91	SV/223	Scania	SV/227	Scania	3° eixo SV/227
R-112 H	90 / 91	SV/223	Scania	SV/227	Scania	
R-112 MA	81 / 84	SV/224	Scania	SV/226	Scania	
R-113 E	91 / 93	SV/223 SV/224	Scania	SV/226 SV/227	Scania	3° eixo SV/226 SV/227
R-113 E	93 /	SV/228 SV/229	Scania	SV/230 SV/231	Scania	3° eixo SV/230 SV/231
R-113 H	91 / 93	SV/223 SV/224	Scania	SV/226 SV/227	Scania	3° eixo SV/226 SV/227
R-113 H	93 /	SV/228 SV/229	Scania	SV/230 SV/231	Scania	3° eixo SV/230 SV/231
R-114 4x2	98 /	SV/230	Scania	SV/231	Scania	
R-114 6x4	98 /	SV/230	Scania	SV/231	Scania	3° eixo SV/231
R-124 4x2	98 /	SV/230	Scania	SV/231	Scania	
R-124 6x2	98 /	SV/230	Scania	SV/231	Scania	3° eixo SV/231
R-124 6x4	98 /	SV/230	Scania	SV/231	Scania	3° eixo SV/231
R-142 E	81 / 91	SV/224	Scania	SV/226	Scania	3° eixo SV/226
R-142 E	90 / 91	SV/223	Scania	SV/227	Scania	3° eixo SV/227
R-142 H	81 / 91	SV/224	Scania	SV/226	Scania	3° eixo SV/226
R-142 H	90 / 91	SV/223	Scania	SV/227	Scania	3° eixo SV/227
R-143 E	91 / 92	SV/223 SV/224	Scania	SV/226 SV/227	Scania	3° eixo SV/226 SV/227
R-143 H	91 / 93	SV/223 SV/224	Scania	SV/226 SV/227	Scania	3° eixo SV/226 SV/227
R-143 H	93 / 96	SV/228 SV/229	Scania	SV/230 SV/231	Scania	3° eixo SV/230 SV/231
R-400	06 /	SV/230	Scania	SV/231	Scania	3° eixo SV/231
R-94 4x2	98 /	SV/230	Scania	SV/231	Scania	
R-94 6x2	98 /	SV/230	Scania	SV/231	Scania	3° eixo SV/231
R-94 6x4	98 /	SV/230	Scania	SV/231	Scania	3° eixo SV/231
S-112	83 / 91	SV/224	Scania	SV/226	Scania	
S-112	86 / 91	SV/223	Scania	SV/227	Scania	
S-112 (Articulado)	83 / 91	SV/224	Scania	SV/226	Scania	3° eixo SV/226
S-112 (Articulado)	86 / 91	SV/223	Scania	SV/227	Scania	3° eixo SV/227
S-113	91 / 93	SV/223 SV/224	Scania	SV/226 SV/227	Scania	
S-113	93 /	SV/228 SV/229	Scania	SV/230 SV/231	Scania	
S-113 (Articulado)	91 / 93	SV/224	Scania	SV/226	Scania	3° eixo SV/226
S-113 (Articulado)	91 / 94	SV/223	Scania	SV/227	Scania	3° eixo SV/227

MARCA / MODELO	Ano	Dianteira	Sistema	Traseira	Sistema	Obs.:
----------------	-----	-----------	---------	----------	---------	-------

SCANIA (continuação)

S-113 (Articulado)	93 /	SV/228 SV/229	Scania	SV/230 SV/231	Scania	3º eixo SV/230 SV/231
T-112 E	81 / 91	SV/224	Scania	SV/226	Scania	3º eixo SV/226
T-112 E	90 / 91	SV/223	Scania	SV/227	Scania	3º eixo SV/227
T-112 H	81 / 91	SV/224	Scania	SV/226	Scania	3º eixo SV/226
T-112 H	90 / 91	SV/223	Scania	SV/227	Scania	3º eixo SV/227
T-112 MA	81 / 84	SV/224	Scania	SV/226	Scania	
T-113 E	91 / 93	SV/223 SV/224	Scania	SV/226 SV/227	Scania	3º eixo SV/226 SV/227
T-113 E	93 /	SV/228 SV/229	Scania	SV/230 SV/231	Scania	3º eixo SV/230 SV/231
T-113 H	91 / 93	SV/223 SV/224	Scania	SV/226 SV/227	Scania	3º eixo SV/226 SV/227
T-113 H	93 /	SV/228 SV/229	Scania	SV/230 SV/231	Scania	3º eixo SV/230 SV/231
T-114 4x2	98 /	SV/230	Scania	SV/231	Scania	
T-114 6x4	98 /	SV/230	Scania	SV/231	Scania	3º eixo SV/231
T-124 4x2	98 /	SV/230	Scania	SV/231	Scania	
T-124 6x2	98 /	SV/230	Scania	SV/231	Scania	3º eixo SV/231
T-124 6x4	98 /	SV/230	Scania	SV/231	Scania	3º eixo SV/231
T-142 E	81 / 91	SV/224	Scania	SV/226	Scania	3º eixo SV/226
T-142 E	90 / 91	SV/223	Scania	SV/227	Scania	3º eixo SV/227
T-142 H	81 / 91	SV/224	Scania	SV/226	Scania	3º eixo SV/226
T-142 H	90 / 91	SV/223	Scania	SV/227	Scania	3º eixo SV/227
T-142 MA	81 / 84	SV/224	Scania	SV/226	Scania	
T-143 E	91 / 93	SV/223 SV/224	Scania	SV/226 SV/227	Scania	3º eixo SV/226 SV/227
T-143 E	93 / 96	SV/228 SV/229	Scania	SV/230 SV/231	Scania	3º eixo SV/230 SV/231
T-143 H	91 / 93	SV/223 SV/224	Scania	SV/226 SV/227	Scania	3º eixo SV/226 SV/227
T-143 H	93 / 96	SV/228 SV/229	Scania	SV/230 SV/231	Scania	3º eixo SV/230 SV/231
T-94 4x2	98 /	SV/230	Scania	SV/231	Scania	
T-94 6x2	98 /	SV/230	Scania	SV/231	Scania	3º eixo SV/231
T-94 6x4	98 /	SV/230	Scania	SV/231	Scania	3º eixo SV/231

SCHIFFER

CARRETA	/ 79			4514-F	Bendix	2 eixos
CARRETA	/ 79			4515-C		3 eixos
CARRETA	80 /			4515-C		2 eixos
CARRETA	80 /			CA/32	Master	3 eixos

SEAT

AROSA 1.0	05-97 /	PD/368	Teves			disco ventilado
AROSA 1.4	05-97 /	PD/368	Teves			disco ventilado
AROSA 1.4 TDi	05-97 /	PD/368	Teves			disco ventilado
AROSA 1.7 SDi	05-97 /	PD/368	Teves			disco ventilado

MARCA / MODELO	Ano	Dianteira	Sistema	Traseira	Sistema	Obs.:
----------------	-----	-----------	---------	----------	---------	-------

SEAT (continuação)

CORDOBA	95 /			VW/276-CPA		Freio traseiro Ø200,0x40,0mm
CORDOBA 1.4 16V	10-02 /	PD/520	Girling			
CORDOBA 1.4 TDI	10-02 /	PD/520	Girling			
CORDOBA 1.6	93 /	PD/328	K. Hayes			
CORDOBA 1.8	93 /	PD/328 PD/329	K. Hayes Girling	PD/362	Girling	
CORDOBA 1.8	94 / 99	PD/368	Girling	PD/362	Girling	
CORDOBA 1.9 SDI	10-02 /	PD/520	Girling			
CORDOBA 1.9 TDI	10-02 /	PD/520	Girling			
CORDOBA 2.0	93 /	PD/329	Girling	PD/362	Girling	
IBIZA 1.4 16V	02-02 /	PD/520	Girling			
IBIZA 1.8 16V	93 /	PD/329	Girling	PD/362	Girling	
IBIZA 1.9 Tdi	02-02 /	PD/520	Girling			
IBIZA 2.0 16V	93 /	PD/329	Girling	PD/362	Girling	
IBIZA 1.6	95 /			VW/276-CPA		Freio traseiro Ø200,0x40,0mm
IBIZA 1.8	95 /			VW/276-CPA		Freio traseiro Ø200,0x40,0mm
IBIZA 2.0	95 /			VW/276-CPA		Freio traseiro Ø200,0x40,0mm
TOLEDO	10-04 /	PD/1000-B	Teves	PD/1030	Lucas	
TOLEDO 1.6i	11-04 /	PD/1000-B	Teves	PD/1030	Lucas	
TOLEDO 1.8 16V	91 /	PD/329	Girling	PD/362	Girling	
TOLEDO 1.9 Tdi	11-04 /	PD/1000-B	Teves	PD/1030	Lucas	
TOLEDO 2.0	91 /	PD/329	Girling	PD/362	Girling	
TOLEDO 2.0 FSi	11-04 /	PD/1000-B	Teves	PD/1030	Lucas	
TOLEDO 2.0 TDi	11-04 /	PD/1000-B	Teves	PD/1030	Lucas	

SINOTRUK

A7	11 /	PD/204	CNHTC			
HOWO 380 6X2	09	ST/350		ST/351		
HOWO 380 6X2	09 /	PD/204	CNHTC	ST/351		
HOWO 380 6X4	09	ST/350		ST/352		
HOWO 380 6X4	09 /	PD/204	CNHTC	ST/352		

SKODA

FABIA 1.0	99 / 02	PD/368	Teves			disco ventilado
FABIA 1.2	08-02 /	PD/368	Teves			disco ventilado
FABIA 1.4	11-00 /	PD/368	Teves			disco ventilado
FABIA 1.4 16V	12-99 /	PD/368	Teves			disco ventilado
FABIA 1.4 TDi	04-03 /	PD/368	Teves			disco ventilado
FABIA 1.9 TDi	07-01 /	PD/368	Teves			disco ventilado
FABIA 2.0	12-99 /	PD/368	Teves			disco ventilado
FABIA 2.0	99 /	PD/520	Girling			

SSANGYONG

ACTYON 2.0 4X4	08 /	PD/630	Akebono			
----------------	------	--------	---------	--	--	--

MARCA / MODELO	Ano	Dianteira	Sistema	Traseira	Sistema	Obs.:
----------------	-----	-----------	---------	----------	---------	-------

SSANGYONG (continuação)

ACTYON SPORTS PICK-UP	08 /	PD/630	Akebono			
KYRON 2.0 Xdi	05 /	PD/630	Akebono			
KORANDO 2.3 TD	96 /	PD/471-A	Girling	PD/470	Girling	
KORANDO 2.9 TD	96 /	PD/471-A	Girling	PD/470	Girling	
MUSSO 2.0 TD	96 /	PD/471-A	Girling	PD/470	Girling	
MUSSO 2.3 TD	96 /	PD/471-A	Girling	PD/470	Girling	
MUSSO 2.9 TDI	96 /	PD/471-A	Girling	PD/470	Girling	
REXTON	03 /	PD/630	Akebono	PD/725	Mando	

SUBARU

BAJA	03 / 06			PD/619	Akebono	
FORESTER	98 / 02	PD/613	Akebono			Aro 15"
IMPREZA	97 / 01	PD/614	Akebono			Aro 14"
IMPREZA	97 / 02	PD/613	Akebono			Aro 15"
IMPREZA	00 / 02			PD/619	Akebono	
IMPREZA 1.6	93 /	PD/423	Sumitomo			
IMPREZA 1.8	93 /	PD/423	Sumitomo			
IMPREZA WRX	03			PD/619	Akebono	
LEGACY	97 / 99	PD/614	Akebono			Aro 14"
LEGACY	98 / 02	PD/613	Akebono			Aro 15"
LEGACY I 1.8 16V	89 / 95	PD/423	Sumitomo			
LEGACY I 2.2 16V	89 / 95	PD/423	Sumitomo			
LEGACY I 2.2 16V GX	93 / 98	PD/423	Sumitomo			
LEGACY I 2.2 16V GXI	93 / 98	PD/423	Sumitomo			
LEGACY I 2.2 16V TOURING	93 / 98	PD/423	Sumitomo			
LEGACY II 1.6 16V DL	92 / 98	PD/423	Sumitomo			
LEGACY II 1.6 16V GL	92 / 98	PD/423	Sumitomo			
LEGACY II 1.8 16V GL	92 / 98	PD/423	Sumitomo			
LEGACY II 1.8 16V GLI	92 / 98	PD/423	Sumitomo			
LEGACY II 1.8 16V TOURING	92 / 98	PD/423	Sumitomo			
LEGACY II 2.0 16V DL	93 / 98	PD/423	Sumitomo			
LEGACY II 2.0 16V GL	93 / 98	PD/423	Sumitomo			
LEGACY II 2.0 16V GLI	93 / 98	PD/423	Sumitomo			
LEGACY II 2.0 16V TOURING	93 / 98	PD/423	Sumitomo			
OUTBACK	/ 01	PD/613	Akebono			Aro 15"

SUZUKI

BALENO 1.3	95 / 02	PD/611	Sumitomo			
BALENO 1.3i 16V	95 / 02	PD/611	Sumitomo			
BALENO 1.6i 16V	95 / 02	PD/611	Sumitomo			
BALENO 1.6i 16V (4x4)	95 / 02	PD/611	Sumitomo			
BALENO 1.8i GT	95 / 02	PD/611	Sumitomo			
BALENO 1.9 TD	95 / 02	PD/611	Sumitomo			
ESTEEM	95 / 02	PD/611	Sumitomo			
GRAND VITARA 1.6i	98 / 06	PD/419	Akebono			
GRAND VITARA 2.0 TD	98 / 06	PD/432	Sumitomo			
GRAND VITARA 2.0i	98 / 06	PD/419	Akebono			
GRAND VITARA 2.0i	98 / 06	PD/432	Sumitomo			
GRAND VITARA 2.5i V6	98 / 06	PD/432	Sumitomo			
GRAND VITARA 1.6	06 /	PD/1077	Tokico			
GRAND VITARA 1.9	06 /	PD/1077	Tokico			

MARCA / MODELO	Ano	Dianteira	Sistema	Traseira	Sistema	Obs.:
----------------	-----	-----------	---------	----------	---------	-------

SUZUKI (continuação)						
GRAND VITARA 2.0	06 /	PD/1077	Tokico			
VITARA	06 /	PD/1077	Tokico			
SAMURAI 1.0 4x4	88 /	PD/441	Sumitomo			
SAMURAI 1.3 4x4	88 /	PD/441	Sumitomo			
SIDEKICK 1.6i	93 /	PD/432	Sumitomo			
SIDEKICK 1.6i	93 /	PD/419	Akebono			
SIDEKICK 1.6i 16V	93 /	PD/432	Sumitomo			
SIDEKICK 1.6i 16V	93 /	PD/419	Akebono			
SJ 410 1.0 4x4	87 /	PD/441	Sumitomo			
SJ 413 1.3 4x4	87 /	PD/441	Sumitomo			
SWIFT 1.0	90 /	PD/380	Akebono			
SWIFT 1.6	90 / 93	PD/379	Sumitomo			
VITARA 1.6i 16V	88 / 95	PD/378	Akebono			
VITARA 1.6i 16V	90 /	PD/432	Sumitomo			
VITARA 1.6i JLX	88 / 95	PD/419	Akebono			
VITARA 1.9 D	97 /	PD/419	Akebono			
VITARA 1.9 TD	97 /	PD/419	Akebono			
VITARA 2.0 TD	95 /	PD/432	Sumitomo			
VITARA 2.0i 16V	88 / 95	PD/378	Akebono			
VITARA 2.0i 16V	90 /	PD/432	Sumitomo			
VITARA 2.0i V6	95 /	PD/432	Sumitomo			

TEREX						
33-03B		4375		4354-A		
PÁ CARREGADEIRA 72-52 B		PD/29		PD/29		
R-22		4375		4354-A		
R-35B		4622		4622		
R-35C		4622		4622		
SCRAPER TS-14B				4354-A		
SCRAPER TS-24				4575		
TRATOR S-14				4354-A		
TRATOR S-24				4575		

TOYOTA						
CAMRY	91 / 01	PD/387	Akebono	TY/320-CP		
CAMRY	02 / 06	PD/745				
CAMRY	83 / 86	PD/680	Akebono			
CAMRY XLE	90 /	PD/387	Akebono	TY/320-CP		
CELICA	86 / 89	PD/680	Akebono			
CELICA Convertible	87 / 88	PD/680	Akebono			
CELICA ST	90 / 91	PD/680	Akebono			
COROLLA	00 / 02	PD/680	Akebono	TY/325-CP		Freio traseiro Ø200,0x35,0mm
COROLLA (Todos)	02 /	PD/680	Akebono	TY/328-CPA		
COROLLA	90	PD/680	Akebono			
COROLLA DLX	85	PD/680	Akebono			
COROLLA DLX	87 / 89	PD/680	Akebono			
COROLLA DLX	91 / 92	PD/680	Akebono			
COROLLA DLX All Trac	88 / 90	PD/680	Akebono			

MARCA / MODELO	Ano	Dianteira	Sistema	Traseira	Sistema	Obs.:
----------------	-----	-----------	---------	----------	---------	-------

TOYOTA (continuação)						
COROLLA DX	92 / 5-02	PD/387	Akebono	TY/320-CP		
COROLLA FIELDER XEI 1.8	04 / 05-08	PD/491	TRW	PD/512	TRW	
COROLLA FX / FX16	87 / 88	PD/680	Akebono			
COROLLA FX16 GTS	88	PD/680	Akebono			
COROLLA GLI 1.8 16V	06-08 /	PD/669	Bosch	PD/689	Bosch	
COROLLA 2.0 XEI 16V AUTOMÁTICO	11 /	PD/669	Bosch	PD/689	Bosch	
COROLLA ALTIS 2.0 16V AUTOMÁTICO	11 /	PD/669	Bosch	PD/689	Bosch	
COROLLA GTS	88 / 92	PD/680	Akebono			
COROLLA LE	85 / 87	PD/680	Akebono			
COROLLA LE	92	PD/680	Akebono			
COROLLA LE	92 / 5-02	PD/387	Akebono	TY/320-CP		
COROLLA Sedan, Liftback	84	PD/680	Akebono			
COROLLA SE-G 1.8 16V	06-02 / 05-08	PD/491	TRW	PD/512	TRW	
COROLLA SE-G 1.8 16V	06-08 /	PD/669	Bosch	PD/689	Bosch	
COROLLA Sport GTS	85	PD/680	Akebono			
COROLLA Sport GTS	87	PD/680	Akebono			
COROLLA SR5	89	PD/680	Akebono			
COROLLA SR5	91	PD/680	Akebono			
COROLLA Sta. Wagon 2WD	88 / 91	PD/680	Akebono			
COROLLA Sta. Wagon 4WD	89 / 93	PD/680	Akebono			
COROLLA XEI 1.8 16V	06-02 / 05-08	PD/491	TRW	PD/512	TRW	
COROLLA XEI 1.8 16V	06-08 /	PD/669	Bosch	PD/689	Bosch	
COROLLA XEI 2.0	06-02 / 05-08	PD/491	TRW	PD/512	TRW	
COROLLA XLI 1.6 16V	06-02 / 05-08	PD/491	TRW	PD/512	TRW	
COROLLA XLI 1.8 16V	06-08 /	PD/669	Bosch	PD/689	Bosch	
CORONA 2.0	92 /	PD/387	Akebono			
HIACE 1.8	83 / 84	PD/429	Akebono			
HIACE 2.0	83 / 84	PD/429	Akebono			
HIACE 2.2 D	83 / 84	PD/429	Akebono			
HIACE 2.4 D	83 / 87	PD/429	Akebono			
HILUX 4WD	93 /			TY/326-CP		Freio traseiro Ø295,0x50,0mm
HILUX SW4 SRV	05 /			TY/327-CP		Freio traseiro Ø279,0x60,0mm
HILUX 1.8 4x2	83 / 94	PD/429	Akebono			
HILUX 4x2	00 /	PD/114	Varga			
HILUX 4x2	05 / 03-09	PD/527	TRW			
HILUX 4x4	90 /	PD/115	Sumitomo			
HILUX 4x4	94 /	PD/429	Akebono			
HILUX 4x4	05 / 03-09	PD/527	TRW			
HILUX SW4	05 /	PD/528	Sumitomo			
HILUX 3.2 CD 4x2 SRV	05 /	PD/528	Sumitomo	TY/327-CP		Freio traseiro Ø279,0x60,0mm
HILUX 2.5L 16V	08 /	PD/1098	ADVICS	TY/327-CP		
JEEP	59 / 66	TY/251		TY/251		
JEEP	67 / 92	TY/252		TY/252		Est. TY/253
JEEP	93 / 96	TY/254		TY/252		
JEEP	96 /	PD/107	Varga	TY/252		
LAND CRUISER PRADO	03 /	PD/528	Sumitomo	PD/695	Sumitomo	

MARCA / MODELO	Ano	Dianteira	Sistema	Traseira	Sistema	Obs.:
----------------	-----	-----------	---------	----------	---------	-------

TOYOTA (continuação)						
MR2	87 / 95	PD/680	Akebono			
PASEO	92 / 99	PD/680	Akebono			
PERUA	59 / 66	TY/251		TY/251		
PERUA	67 / 92	TY/252		TY/252		Est. TY/253
PERUA	93 / 96	TY/254		TY/252		
PERUA	96 /	PD/107	Varga	TY/252		
PICK-UP	59 / 66	TY/251		TY/251		
PICK-UP	67 / 92	TY/252		TY/252		Est. TY/253
PICK-UP	93 / 96	TY/254		TY/252		
PICK-UP	96 /	PD/107	Varga	TY/252		
PREVIA 2.4i	97 / 00	PD/612	Akebono			
PREVIA 2.4i 4WD	97 / 00	PD/612	Akebono			
RAV-4	01 / 04	PD/628	Sumitomo			
RAV-4	04 / 05	PD/628	Sumitomo	PD/629	Sumitomo	
RAV-4	98 / 02	PD/387	Akebono			
TERCEL	86 / 99	PD/680	Akebono			
TERCEL Station Wagon / Station Wagon 4WD	86 / 88	PD/680	Akebono			

TROLLER						
T4 TDi	00 / 01	PD/418	K. Hayes	PD/50	Varga	
T4 TDi	01 /	PD/676	Teves	PD/50	Varga	
T4 TDi	03 /	PD/676	Teves	PD/76	Varga	

VALMET						
30 D	73 /			TR/313		
62-ID	73 /			TR/313		
360 D	73 /			TR/313		
600 D	73 /			TR/313		

VOLKSWAGEN						
AMAROK HIGHLINE CD 2.0 16V	10 /	PD/1028	Bosch			
AMAROK TREDLINE CD 2.0 16V	10 /	PD/1028	Bosch			
APOLLO	90 / 92	PD/24 PD/24-A PD/24-B	Teves	FD/64-S/F FD/64-CPA	Varga	
BEETLE	07 /	PD/1000-B	Teves	PD/1030	Lucas	
BEETLE 1.8 T	98 /	PD/340-B	Teves	PD/362	Girling	
BEETLE 1.8 T	98 /	PD/384	Teves	PD/362	Girling	
BEETLE 2.3 V5	98 /	PD/340-B	Teves	PD/362	Girling	
BEETLE 2.3 V5	98 /	PD/384	Teves	PD/362	Girling	
BEETLE RSI 3.2	98 /	PD/340-B	Teves	PD/362	Girling	
BEETLE RSI 3.2	98 /	PD/384	Teves	PD/362	Girling	
BORA 1.8 T	00 /	PD/340-B	Teves	PD/362	Girling	
BORA 1.8 T	00 /	PD/384	Teves	PD/362	Girling	
BORA 2.0	00 /	PD/58 PD/58-B	Teves	PD/362	Girling	
BORA 2.3 V5	99 /	PD/340-B	Teves	PD/362	Girling	
BORA 2.3 V5	99 /	PD/384	Teves	PD/362	Girling	
BORA 2.8 V6	99 /	PD/340-B	Teves	PD/362	Girling	
BORA 2.8 V6	99 /	PD/384	Teves	PD/362	Girling	
BORA A4GP AUT. 2.0L	07 /	PD/1000-B	Teves	PD/1030	Teves	

MARCA / MODELO	Ano	Dianteira	Sistema	Traseira	Sistema	Obs.:
----------------	-----	-----------	---------	----------	---------	-------

VOLKSWAGEN (continuação)						
BORA A4GP MAN. 2.0L	07 /	PD/1000-B	Teves	PD/1030	Teves	
BORA BASICO 2.0	07 /	PD/1000-B	Teves	PD/1030	Teves	
BORA CONFORT 2.0	07 /	PD/1000-B	Teves	PD/1030	Teves	
BORA TOTAL FLEX 2.0L	07 /	PD/1000-B	Teves	PD/1030	Teves	
BRÁSÍLIA	73 / 82	PD/5	Teves	VW/272	VW	
CARAVELLE 2.4	96 /	PD/487	Girling			
CROSS FOX 1.6	05 /	PD/73	Teves	VW/276 VW/276-CPA	VW	
CROSS FOX ARO 15"	06 /	PD/73	Teves	VW/276 VW/276-CPA	VW	
CROSS FOX 1.6	06 /	PD/367	Bosch			
D-1400	83 / 85	FD/80 FI/118	Varga Master	FI/117 FI/119	Varga Master	
EOS	07 / 09	PD/1000-B	Teves	PD/1030	Lucas	
EOS 1.6 FSi	03-06 /	PD/1000-B	Teves	PD/1030	Lucas	
EOS 2.0 FSi	03-06 /	PD/1000-B	Teves	PD/1030	Lucas	
EOS 2.0 TDi	03-06 /	PD/1000-B	Teves	PD/1030	Lucas	
EOS 3.6 FSi	03-06 /	PD/1000-B	Teves	PD/1030	Lucas	
EOS CONVERSIVEL 2.0L FSI						
EUROVAN	05 / 06			PD/592-B		
EUROVAN 2.4	93 /	PD/487	Girling			
FOX 1.0	03 /	PD/367	Bosch	VW/276 VW/276-CPA	VW	Aro 13"
FOX 1.0	03 /	PD/73	Bosch	VW/276 VW/276-CPA	VW	Aro 14"
FOX 1.0	03 /	PD/368	Teves			Aro 14" - disco ventilado
FOX 1.0	02 /	PD/58	Teves	VW/276 VW/276-CPA	VW	Aro 14"
FOX 1.0	02 /	PD/58	Teves	VW/276 VW/276-CPA	VW	Aro 15"
FOX 1.6	02 /	PD/58	Teves	VW/276 VW/276-CPA	VW	Aro 14"
FOX 1.6	02 /	PD/58	Teves	VW/276 VW/276-CPA	VW	Aro 15"
FOX 1.6	03 /	PD/73	Teves	VW/276 VW/276-CPA	VW	
FURGÃO 1500	67 / 75	VW/270	VW	VW/271	VW	
FURGÃO 1600	76 / 82	VW/270	VW	VW/271	VW	
FUSCA 1600	83 / 86	PD/5	Teves	VW/262	VW	
FUSCA 1600	93 / 96	PD/5	Teves	VW/262	VW	
GOL 1.0	95 / 06-00	PD/23	Teves	VW/274	VW	
GOL 1.0	96 / 06-00	PD/54	Varga	VW/274	VW	
GOL 1.0	07-00 / 06-09	PD/51 PD/54	Teves Varga	VW/276 VW/276-CPA	VW	
GOL 1.0	07-09 /	PD/81 PD/54	Teves Varga	VW/276 VW/276-CPA	VW	
GOL 1.0	08 /	PD/367	Bosch	VW/274		(Geração V) Disco 239x18mm
GOL 1.0	08 /	PD/368	Teves	VW/274		(Geração V) Disco ventilado

MARCA / MODELO	Ano	Dianteira	Sistema	Traseira	Sistema	Obs.:
----------------	-----	-----------	---------	----------	---------	-------

VOLKSWAGEN (continuação)						
GOL 1.0	08 / 04-11	PD/1100	Teves	VW/274		(Geração V) Disco 256x18mm
GOL 1.0	94 / 95	PD/43	Teves	VW/274	VW	
GOL 1.0 SPECIAL	98 /	PD/23 PD/54	Teves Varga	VW/274	VW	
GOL 1.000	92 / 93	PD/17	Teves	VW/274	VW	
GOL 1.6	08 / 04-11	PD/1100	Teves	VW/276 VW/276-CPA		(Geração V) Disco 256x18mm
GOL 1.6	83 / 93	PD/17	Teves	VW/274	VW	
GOL 1.6	94 / 95	PD/43	Teves	VW/274	VW	
GOL 1.6	95 / 06-00	PD/23	Teves	VW/274	VW	
GOL 1.6	96 / 06-00	PD/54	Varga	VW/274	VW	
GOL 1.6	07-00 / 06 -09	PD/51 PD/54	Teves Varga	VW/276 VW/276-CPA	VW	
GOL 1.6	07-09 /	PD/81 PD/54	Teves Varga	VW/276 VW/276-CPA	VW	
GOL 1.6	08 /	PD/368	Teves			(Geração V) disco ventilado
GOL 1.6	08 /	PD/367	Bosch	VW/276 VW/276-CPA		(Geração V) Disco 239x18mm
GOL 1.8	84 / 06-00	PD/23	Teves	VW/274	VW	
GOL 1.8	96 / 06-00	PD/54	Varga	VW/274	VW	
GOL 1.8	07-00 / 06 -09	PD/51 PD/54	Teves Varga	VW/276 VW/276-CPA	VW	
GOL 1.8	07-09 /	PD/81 PD/54	Teves Varga	VW/276 VW/276-CPA	VW	
GOL 1300	80	PD/16	Teves	VW/273	VW	
GOL 1600	81 / 83	PD/16	Teves	VW/274	VW	
GOL 2.0	88 / 94	PD/28	Teves	VW/276 VW/276-CPA	VW	
GOL 2.0	95 / 97	PD/44 PD/44-B PD/45	Teves Teves Varga	VW/276 VW/276-CPA	VW	com ABS
GOL GTi 16V	95 /	PD/44 PD/44-B PD/45	Teves Teves Varga	PD/36	Teves	com ABS
GOL GTi 2.0	94 /	PD/44 PD/44-B PD/45	Teves Teves Varga	VW/276 VW/276-CPA	VW	
GOLF 1.6	04-02 /	PD/73 PD/73-B	Teves	PD/362	Girling	
GOLF 1.6	99 / 03-02	PD/58 PD/58-B	Teves	PD/362	Girling	
GOLF 2.0 8V	99 / 03-02	PD/58 PD/58-B	Teves	PD/362	Girling	
GOLF 2.0 8V	04-02 /	PD/73 PD/73-B	Teves	PD/362	Girling	
GOLF GL 1.8	91 / 94	PD/328	K. Hayes	VW/276 VW/276-CPA	VW	
GOLF GL 1.8	95 /	PD/329 PD/367	Girling Bosch	VW/276 VW/276-CPA	VW	
GOLF GLX 2.0	94 / 98	PD/329 PD/367	Girling Bosch	VW/276 VW/276-CPA	VW	

MARCA / MODELO	Ano	Dianteira	Sistema	Traseira	Sistema	Obs.:
----------------	-----	-----------	---------	----------	---------	-------

VOLKSWAGEN (continuação)						
GOLF GTi	07 /	PD/1000-B	Teves	PD/1030	Lucas	
GOLF GTi 2.0	94 / 98	PD/329 PD/367	Girling Bosch	PD/362	Girling	
GOLF GTI 1.8 TURBO	98 /	PD/384-A	Teves	PD/362	Girling	
GOLF GTi MKV	06 /	PD/1000-B	Teves	PD/1030	Lucas	
JETTA	06 / 09	PD/1000-B	Teves	PD/1030	Lucas	
JETTA 1.6 FSi	08-05 /	PD/1000-B	Teves	PD/1030	Lucas	
JETTA 1.6i	08-05 /	PD/1000-B	Teves	PD/1030	Lucas	
JETTA 1.9 TDi	08-05 /	PD/1000-B	Teves	PD/1030	Lucas	
JETTA 2.0 Fsi	08-05 /	PD/1000-B	Teves	PD/1030	Lucas	
JETTA 2.0 TDi	08-05 /	PD/1000-B	Teves	PD/1030	Lucas	
JETTA BASE 2.5L	09 /	PD/1000-B	Teves	PD/1030	Lucas	
JETTA BASE 2.5L 170 CV	09 /	PD/1000-B	Teves	PD/1030	Lucas	
JETTA TDI	05 /	PD/1000-B	Teves	PD/1030	Lucas	
JETTA VARIANT BASE 2.5L 170 CV	09 /	PD/1000-B	Teves	PD/1030	Lucas	
JETTA COMFORTLINE 2.0	11 /	PD/58-B	Teves			
JETTA HIGHLINE 2.0 TSI	11 /	PD/58-B	Teves			
KARMAN-GUIA	62 / 69	VW/262	VW	VW/264	VW	
KOMBI 1200	57 / 66	VW/266	VW	VW/267	VW	
KOMBI 1500	67 / 75	VW/270	VW	VW/271	VW	
KOMBI 1600	76 / 82	VW/270	VW	VW/271	VW	
KOMBI FURGÃO	82 /	PD/13	Teves	VW/275	VW	
KOMBI PICK-UP	82 /	PD/13	Teves	VW/275	VW	
LOGUS 1.6	93 / 97	PD/34 PD/35	Teves Bendix	FD/63-S/F FD/126-CPA	Varga	
LOGUS 1.8	93 / 97	PD/34 PD/35	Teves Bendix	FD/63-S/F FD/126-CPA	Varga	
LOGUS GLS 2.0	93 / 97	PD/39	Teves	PD/36	Teves	
PARATI	82 / 86	PD/17	Teves	VW/274	VW	
PARATI 1.0	08 / 04-11	PD/1100	Teves			(Geração V) Disco 256x18mm
PARATI 1.0 16V	97 / 06-09	PD/51 PD/54	Teves Varga	VW/276 VW/276-CPA	VW	
PARATI 1.0 16V	07-09 /	PD/81 PD/54	Teves Varga	VW/276 VW/276-CPA	VW	
PARATI 1.6	08 / 04-11	PD/1100	Teves			(Geração V) Disco 256x18mm
PARATI 1.6	86 / 93	PD/17	Teves	VW/276 VW/276-CPA	VW	
PARATI 1.6	94 / 95	PD/43	Teves	VW/276 VW/276-CPA	VW	
PARATI 1.6	95 / 06-09	PD/51 PD/54	Teves Varga	VW/276 VW/276-CPA	VW	
PARATI 1.6	07-09 /	PD/81 PD/54	Teves Varga	VW/276 VW/276-CPA	VW	
PARATI 1.8	86 / 95	PD/23	Teves	VW/276 VW/276-CPA	VW	
PARATI 1.8	95 / 06-09	PD/51 PD/54	Teves Varga	VW/276 VW/276-CPA	VW	
PARATI 1.8	07-09 /	PD/81 PD/54	Teves Varga	VW/276 VW/276-CPA	VW	

MARCA / MODELO	Ano	Dianteira	Sistema	Traseira	Sistema	Obs.:
----------------	-----	-----------	---------	----------	---------	-------

VOLKSWAGEN (continuação)						
PARATI 1.8	95 /	PD/44 PD/44-B PD/45	Teves Teves Varga	VW/276 VW/276-CPA	VW	com ABS
PARATI 1.8 16V	95 /	PD/44 PD/44-B PD/45	Teves Teves Varga	PD/36	Teves	com ABS
PARATI 2.0	97 / 06-09	PD/51 PD/54	Teves Varga	VW/276 VW/276-CPA	VW	
PARATI 2.0	07-09 /	PD/81 PD/54	Teves Varga	VW/276 VW/276-CPA	VW	
PARATI 2.0	97 /	PD/44 PD/44-B PD/45	Teves Teves Varga	PD/36	Teves	com ABS
PASSAT	74 / 78	PD/17	Teves	VW/273	VW	
PASSAT 1.9 TDi	08-05 /	PD/1000-B	Teves	PD/1030	Lucas	
PASSAT 1.6	79 / 89	PD/17	Teves	VW/274	VW	
PASSAT 1.6	10-00 /	PD/525-A	Teves	PD/362	Girling	Importado
PASSAT 1.6 FSi	08-05 /	PD/1000-B	Teves	PD/1030	Lucas	
PASSAT 1.6i	08-05 /	PD/1000-B	Teves	PD/1030	Lucas	
PASSAT 1.8	84 / 89	PD/23	Teves	VW/274	VW	
PASSAT 1.8	10-00 /	PD/525-A	Teves	PD/362	Girling	Importado
PASSAT 1.8 20V	97 / 04-99	PD/384	Teves	PD/362	Girling	Importado
PASSAT 1.8 Turbo	97 / 04-99	PD/384	Teves	PD/362	Girling	Importado
PASSAT 1.9 TDi	10-00 / 07-05	PD/525-A	Teves	PD/362	Girling	Importado
PASSAT 2.0	88 / 96	PD/329 PD/367	Girling Bosch	PD/362	Girling	Importado
PASSAT 2.0	10-00 /	PD/525-A	Teves	PD/362	Girling	Importado
PASSAT 2.0 16V	93 / 96	PD/384-A	Teves	PD/362	Girling	Importado
PASSAT 2.0 20V	97 / 04-99	PD/384	Teves	PD/362	Girling	Importado
PASSAT 2.0 FSi	08-05 /	PD/1000-B	Teves	PD/1030	Lucas	
PASSAT 2.0 TDi	08-05 /	PD/1000-B	Teves	PD/1030	Lucas	
PASSAT 2.3 VR5	10-00 /	PD/525-A	Teves	PD/362	Girling	Importado
PASSAT 2.5 TDI	10-00 /	PD/525-A	Teves	PD/362	Girling	Importado
PASSAT 2.8 V6	97 / 04-99	PD/384	Teves	PD/362	Girling	Importado
PASSAT 2.8 V6	10-00 /	PD/525-A	Teves	PD/362	Girling	Importado
PASSAT 2.8 VR6	93 / 96	PD/384-A	Teves	PD/362	Girling	Importado
PASSAT 3.2 FSi	08-05 /	PD/1000-B	Teves	PD/1030	Lucas	
PASSAT 3.6i R36 4M	08-05 /	PD/1000-B	Teves	PD/1030	Lucas	
PASSAT CC 1.8 FSi	06-08 /	PD/1000-B	Teves	PD/1030	Lucas	
PASSAT CC 2.0 FSi	06-08 /	PD/1000-B	Teves	PD/1030	Lucas	
PASSAT CC 2.0 TDi	06-08 /	PD/1000-B	Teves	PD/1030	Lucas	
PASSAT CC 3.6 4 MOTION	06-08 /	PD/1000-B	Teves	PD/1030	Lucas	
PASSAT VARIANT 1.6 FSi	08-05 /	PD/1000-B	Teves	PD/1030	Lucas	
PASSAT VARIANT 1.6i	08-05 /	PD/1000-B	Teves	PD/1030	Lucas	
PASSAT VARIANT 1.9 TDi	08-05 /	PD/1000-B	Teves	PD/1030	Lucas	
PASSAT VARIANT 2.0 FSi	08-05 /	PD/1000-B	Teves	PD/1030	Lucas	
PASSAT VARIANT 2.0 TDi	08-05 /	PD/1000-B	Teves	PD/1030	Lucas	
PASSAT VARIANT 3.2 FSi	08-05 /	PD/1000-B	Teves	PD/1030	Lucas	
PASSAT VARIANT 3.6i R36 4M	08-05 /	PD/1000-B	Teves	PD/1030	Lucas	
PASSAT WAGON	07 /	PD/1000-B	Teves	PD/1030	Lucas	
PHAETON	04 / 06			PD/592-B		
PICK-UP 1500	67 / 75	VW/270	VW	VW/271	VW	
PICK-UP 1600	76 / 82	VW/270	VW	VW/271	VW	
POINTER 1.8	94 / 96	PD/34 PD/35	Teves Bendix	FD/63-S/F FD/126-CPA	Varga	

MARCA / MODELO	Ano	Dianteira	Sistema	Traseira	Sistema	Obs.:
----------------	-----	-----------	---------	----------	---------	-------

VOLKSWAGEN (continuação)						
POINTER 2.0	94 / 96	PD/34 PD/35	Teves Bendix	FD/63-S/F FD/126-CPA	Varga	
POINTER GLi 2.0	94 / 96	PD/34 PD/35	Teves Bendix	FD/63-S/F FD/126-CPA	Varga	
POINTER GTi 2.0	94 / 96	PD/39	Teves	PD/36	Teves	
POLO 1.0 16V	02 /	PD/367	Bosch	VW/276 VW/276-CPA	VW	Aro 13"
POLO 1.0 16V	02 /	PD/73 PD/73-B	Teves	VW/276 VW/276-CPA	VW	Aro 14"
POLO 1.6	02 /	PD/73 PD/73-B	Teves	VW/276 VW/276-CPA	VW	Aro 14"
POLO 2.0	02 /	PD/520	Girling	PD/362	Girling	Aro 15"
POLO CLASSIC	94 / 95	PD/328	K. Hayes			
POLO CLASSIC	96 /	PD/329 PD/367	Girling Bosch			
POLO CLASSIC 1.6	96 /	PD/368	Teves			disco ventilado
POLO CLASSIC SD	96 /	PD/368	Teves			disco ventilado
POLO I MOTION 1.6	10 /	PD/58	Teves			
POLO SEDAN I MOTION 1.6	10 /	PD/58	Teves			
POLO SPORTLINE I MOTION 1.6	10 /	PD/58	Teves			
QUANTUM 1.8	85 / 88	PD/23	Teves	VW/276	VW	
QUANTUM 1.8	88 / 94	PD/28	Teves	VW/276	VW	
QUANTUM 1.8	94 /	PD/44 PD/44-B PD/45	Teves Teves Varga	VW/276	VW	
QUANTUM 2.0	88 / 94	PD/28	Teves	VW/276	VW	
QUANTUM 2.0	94 /	PD/44 PD/44-B PD/45	Teves Teves Varga	VW/276	VW	
SANTANA 1.8	85 / 88	PD/23	Teves	VW/274	VW	
SANTANA 1.8	88 / 94	PD/28	Teves	VW/274	VW	
SANTANA 1.8	94 /	PD/44 PD/44-B PD/45	Teves Teves Varga	VW/274	VW	
SANTANA 2.0	85 / 88	PD/23	Teves	VW/276	VW	
SANTANA 2.0	88 / 94	PD/28	Teves	VW/276	VW	
SANTANA 2.0	94 /	PD/44 PD/44-B PD/45	Teves Teves Varga	VW/276	VW	
SAVEIRO	83 / 86	PD/17	Teves	VW/274	VW	
SAVEIRO 1.0	08 / 04-11	PD/1100	Teves	VW/278	TRW	(Geração V) Disco 256x18mm
SAVEIRO 1.6	08 / 04-11	PD/1100	Teves	VW/278	TRW	(Geração V) Disco 256x18mm
SAVEIRO 1.6	95	PD/23	Teves	VW/276	VW	
SAVEIRO 1.6	86 / 93	PD/17	Teves	VW/276	VW	
SAVEIRO 1.6	94 / 95	PD/43	Teves	VW/276	VW	
SAVEIRO 1.6	95 / 06-09	PD/51 PD/54	Teves Varga			
SAVEIRO 1.6	07-09 /	PD/81 PD/54	Teves Varga			
SAVEIRO 1.8	86 / 95	PD/23	Teves	VW/276	VW	
SAVEIRO 1.8	95 / 06-09	PD/51 PD/54	Teves Varga			

MARCA / MODELO	Ano	Dianteira	Sistema	Traseira	Sistema	Obs.:
----------------	-----	-----------	---------	----------	---------	-------

VOLKSWAGEN (continuação)						
SAVEIRO 1.8	07-09 /	PD/81 PD/54	Teves Varga			
SAVEIRO 2.0	98 / 06-09	PD/51 PD/54	Teves Varga			
SAVEIRO 2.0	07-09 /	PD/81 PD/54	Teves Varga			
SAVEIRO 2.0	98 /	PD/44 PD/44-B PD/45	Teves Teves Varga	VW/276	VW	com ABS
SAVEIRO SURF 1.6 MI	09 /	PD/367	Bosch	VW/278	TRW	Disco 239x18mm
SAVEIRO SURF 1.8 MI	09 /	PD/367	Bosch	VW/278	TRW	Disco 239x18mm
SAVEIRO TITAN 1.6 MI	09 /	PD/367	Bosch	VW/278	TRW	Disco 239x18mm
SAVEIRO TROPER 1.6 MI 8V	09 /	PD/367	Bosch	VW/278	TRW	Disco 239x18mm
SAVEIRO CROSS 1.6	12 /			VW/278	TRW	
SEDAN 1200	53 / 60	VW/264	VW	VW/264	VW	
SEDAN 1200	61 / 66	VW/262	VW	VW/264	VW	
SEDAN 1300	67 / 75	VW/262	VW	VW/264	VW	
SEDAN 1300 L	75 / 82	VW/262	VW	VW/262	VW	
SEDAN 1300 LG	81 / 83	VW/262	VW	VW/262	VW	
SEDAN 1500	70 / 76	PD/5 VW/262	Teves VW	VW/262	VW	
SEDAN 1600	69 / 71			VW/262	VW	4 Portas
SEDAN 1600	75 / 76	PD/5	Teves	VW/262	VW	
SEDAN 1600	77 / 83			VW/272	VW	
SP-2	72 / 76	PD/6	Teves	VW/272	VW	
SPACE FOX 1.6 CONFORTLINE 8V T.FLEX	07 /	PD/58	Teves	VW/276 VW/276-CPA	VW	
SPACE FOX 1.6 PLUS 8V T.FLEX	07 /	PD/58	Teves	VW/276 VW/276-CPA	VW	
SPACE FOX 1.6 ROUTE 8V T.FLEX	07 /	PD/58	Teves	VW/276 VW/276-CPA	VW	
TIGUAN	09 /	PD/1000-B	Teves	PD/1030	Lucas	
TL 1600	70 / 75	PD/5	Teves	VW/272	VW	
TRANSPORTER 1.9 D	90 /	PD/487	Girling			
TRANSPORTER 1.9 TD	90 /	PD/487	Girling			
TRANSPORTER 2.0	90 /	PD/487	Girling			
TRANSPORTER 2.4	96 /	PD/487	Girling			
TRANSPORTER 2.5	90 /	PD/487	Girling			
TRANSPORTER 2.5 SYNCRO	96 /	PD/487	Girling			
VAN	99 /	PD/329	Girling	VW/277	VW	Freio Ø230X40mm
VAN	99 /	PD/329	Girling	VW/278	VW	Freio Ø230X30mm
VARIANT	78 / 80	PD/6	Teves	VW/272	VW	
VARIANT 1600	69 / 77	PD/5	Teves	VW/272	VW	
VARIANT 2.0	88 / 96	PD/329 PD/367	Girling Bosch	PD/362	Girling	Importado

MARCA / MODELO	Ano	Dianteira	Sistema	Traseira	Sistema	Obs.:
----------------	-----	-----------	---------	----------	---------	-------

VOLKSWAGEN (continuação)						
VOYAGE	81 / 83	PD/16	Teves	VW/274	VW	
VOYAGE 1.0	09 /	PD/367	Bosch	VW/274		Disco 239x18mm
VOYAGE 1.0 8V	08 /	PD/368	Teves	VW/274		Disco Ventilado
VOYAGE 1.6	83 / 93	PD/17	Teves	VW/274	VW	
VOYAGE 1.6	94 / 95	PD/43	Teves	VW/274	VW	
VOYAGE 1.6	95	PD/23	Teves	VW/274	VW	
VOYAGE 1.6	09 /	PD/367	Bosch	VW/276 VW/276-CPA	TRW	Disco 239x18mm
VOYAGE 1.8	84 / 95	PD/23	Teves	VW/274	VW	
VOYAGE CONFORTLINE 1.6	08 /	PD/367	Bosch	VW/276 VW/276-CPA	TRW	Disco 239x18mm
VOYAGE TREND 1.6	08 /	PD/367	Bosch	VW/276 VW/276-CPA	TRW	Disco 239x18mm
VOYAGE 1.0	09 / 04-11	PD/1100	Teves	VW/274		Disco 256x18mm
VOYAGE 1.6	09 / 04-11	PD/1100	Teves	VW/276 VW/276-CPA	TRW	Disco 256x18mm
VOYAGE CONFORTLINE 1.6	08 / 04-11	PD/1100	Teves	VW/276 VW/276-CPA	TRW	Disco 256x18mm
VOYAGE TREND 1.6	08 / 04-11	PD/1100	Teves	VW/276 VW/276-CPA	TRW	Disco 256x18mm
VW 11.130	81	VW/256	Bendix	VW/257	Bendix	
VW 11.130	81 / 86	FD/80 FI/118	Varga Master	FI/117 FI/119	Varga Master	
VW 11.140	87 / 89	FD/80 FI/118	Varga Master	FI/117 FI/119	Varga Master	
VW 11.140	89 / 90	FD/83	Bendix	FD/84	Bendix	
VW 11.140	91 / 93	FD/86	Master	FD/87	Master	
VW 11.160	85 / 86	FD/80 FI/118	Varga Master	FI/117 FI/119	Varga Master	
VW 12.140	87 / 89	FD/80 FI/118	Varga Master	FI/117 FI/119	Varga Master	
VW 12.140	90 / 91	FD/86	Master	FD/88	Master	
VW 12.140	91 / 96	FD/86	Master	FD/87	Master	
VW 12.140 H	91 /	FD/86	Master	FD/87	Master	
VW 12.170 BT	97 /	FD/86	Master	FD/87	Master	
VW 13.130	81 / 86	FD/80 FI/118	Varga Master	FI/117 FI/119	Varga Master	
VW 13.150	99 /	FD/86	Master	FD/87	Master	
VW 13.170	99 / 02	FD/86	Master	FD/87	Master	
VW 13.180	99 /	FD/86	Master	FD/87	Master	
VW 13.180 Constellation	06 /	FD/87	Master	FD/87	Master	
VW 13.180 Worker	04 / 08	FD/86	Master	FD/87	Master	
VW 13.180 Worker	08 /	FD/87	Master	FD/87	Master	
VW 13.190	99 /	FD/86	Master	FD/87	Master	
VW 14.140	87 / 89	FD/80 FI/118	Varga Master	FI/117 FI/119	Varga Master	
VW 14.140	89 / 91	FD/86	Master	FD/88	Master	
VW 14.150	91 / 99	FD/86	Master	FD/88	Master	

MARCA / MODELO	Ano	Dianteira	Sistema	Traseira	Sistema	Obs.:
----------------	-----	-----------	---------	----------	---------	-------

VOLKSWAGEN (continuação)						
VW 14.170	88 / 89	4524-B	Master	4514-G	Master	
VW 14.170 BT	97 /	FD/86	Master	FD/88	Master	
VW 14.200	91 /	FD/86	Master	FD/88	Master	
VW 14.210	88 / 91	4524-B	Master	4514-G	Master	
VW 14.220	91 / 99	FD/86	Master	FD/88	Master	
VW 15.170	09-99 / 02	FD/86	Master	FD/88	Master	
VW 15.180	09-99 /	FD/86	Master	FD/88	Master	
VW 15.180	05 /	FD/88	Master	4710	Master	Ônibus
VW 15.180 Constellation	06 /	FD/87	Master	FD/88	Master	
VW 15.180 Worker		FD/86	Master	FD/88	Master	
VW 15.180 worker		FD/87	Master	FD/88	Master	
VW 15.180 Worker 4x4 Militar	09 /			FD/88	Master	
VW 15.190	09-99 /	FD/86	Master	FD/87	Master	
VW 15.190 EOD	07 /	FD/88	Master	4710	Master	Ônibus
VW 16.170	88 / 89	4524-B	Master	4514-G	Master	
VW 16.170	90 / 96	FD/87	Master	FD/88	Master	
VW 16.170 BT	97 / 99	FD/87	Master	FD/88	Master	3º eixo FD/88
VW 16.180 B	93 / 97	FD/87	Master	FD/88	Master	Ônibus
VW 16.200	97 /	FD/87	Master	FD/88	Master	3º eixo FD/88
VW 16.210	88 / 90	4524-B	Master	4514-G	Master	
VW 16.210 B	98 / 09-00	FD/88	Master	4710	Master	Ônibus
VW 16.210 CO	10-00 / 02	FD/88	Master	4710	Master	
VW 16.210 H	88 / 90	4524-B	Master	4514-G	Master	
VW 16.220	90 / 96	FD/87	Master	FD/88	Master	
VW 16.220	97 /	FD/87	Master	FD/88	Master	3º eixo FD/88
VW 16.300	96 / 00	FD/87	Master	FD/88	Master	
VW 17.180 Worker	04 /	FD/87	Master	FD/88	Master	
VW 17.210	09-99 /	FD/87	Master	FD/88	Master	
VW 17.210	09-99 /	FD/88	Master	4710	Master	Lixo
VW 17.210 OD	09-99 /	FD/88	Master	4710	Master	Ônibus
VW 17.220	09-99 /	FD/87	Master	FD/88	Master	
VW 17.220	09-99 /	FD/88	Master	4710	Master	Lixo
VW 17.220 Worker	04 /	FD/87	Master	FD/88	Master	
VW 17.220 Worker Tractor	04 /	FD/87	Master	FD/88	Master	
VW 17.230 EOD	07 /	FD/88	Master	4710	Master	Ônibus
VW 17.230 EOD V-TRONIC	07 /	FD/88	Master	4710	Master	Ônibus
VW 17.240 OT	00 /	FD/88	Master	4710	Master	Ônibus
VW 17.250	06 /	FD/88	Master	4710	Master	Lixo
VW 17.250 Constellation	06 /	FD/87	Master	FD/88	Master	
VW 17.250 E Worker	04 /	FD/87	Master	FD/88	Master	
VW 17.260 EOT	04 /	FD/88	Master	4710	Master	Ônibus
VW 17.260 EOT V-1	05 /	FD/88	Master	4710	Master	Ônibus
VW 17.280 Constellation Advantech		FD/87	Master	FD/88	Master	
VW 17.300	09-99 / 02	FD/87	Master	FD/88	Master	
VW 17.310 TITAN	09-99 /	FD/87	Master	FD/88	Master	
VW 18.310	01 /	FD/88	Master	4710	Master	Ônibus
VW 18.310 OT	00 /	FD/88	Master	4710	Master	Ônibus
VW 18.310 TITAN	01 /	FD/87	Master	FD/88	Master	
VW 18.320 EOT	07 /	FD/88	Master	4710	Master	Ônibus
VW 19.320 Constellation	06 /	FD/87	Master	FD/88	Master	

MARCA / MODELO	Ano	Dianteira	Sistema	Traseira	Sistema	Obs.:
----------------	-----	-----------	---------	----------	---------	-------

VOLKSWAGEN (continuação)						
VW 19.370 Constellation	08 /	FD/87	Master	FD/88	Master	
VW 22.140	88 / 89	FD/80 FI/118	Varga Master	FI/117 FI/119	Varga Master	3° eixo FI/117 FI/119
VW 22.140	89 / 90	FD/86	Master	FD/88	Master	
VW 22.160	85 / 87	FD/80 FI/118	Varga Master	FI/117 FI/119	Varga Master	3° eixo FI/117 FI/119
VW 22.200	90 / 95	FD/87	Master	FD/88	Master	
VW 23.210	01 /	FD/87	Master	FD/88	Master	3° eixo FD/88
VW 23.220	01 /	FD/87	Master	FD/88	Master	3° eixo FD/88
VW 23.250 Eletrônico	04 /	FD/87	Master	FD/88	Master	3° eixo FD/88
VW 23.310 TITAN	01 /	FD/87	Master	FD/88	Master	3° eixo FD/88
VW 24.220	95 /	FD/87	Master	FD/88	Master	
VW 24.250	90 /	FD/87	Master	FD/88	Master	
VW 24.250 6x2 Constellation	06 /	FD/87	Master	FD/88	Master	3° eixo FD/88
VW 24.250 E Worker	03 /	FD/87	Master	FD/88	Master	
VW 25.320 6x2 Constellation	08 /	FD/87	Master	FD/88	Master	3° eixo FD/88
VW 25.370 6x2 Constellation	08 /	FD/87	Master	FD/88	Master	3° eixo FD/88
VW 26.220	01 /	FD/87	Master	FD/88	Master	3° eixo FD/88
VW 26.220 Worker	04 /	FD/87	Master	FD/88	Master	
VW 26.260	01 /	FD/87	Master	FD/88	Master	3° eixo FD/88
VW 26.260 E Worker	04 /	FD/87	Master	FD/88	Master	
VW 26.300	09-99 / 01	FD/87	Master	FD/88	Master	
VW 26.310 TITAN	09-99 /	FD/87	Master	FD/88	Master	3° eixo FD/88
VW 31.260 E Worker	04 /	FD/87	Master	FD/88	Master	
VW 31.310	05 /	FD/87	Master	FD/88	Master	3° eixo FD/88
VW 31.320	05 /	FD/87	Master	FD/88	Master	3° eixo FD/88
VW 31.370 6x2 Constellation	08 /	FD/87	Master	FD/88	Master	3° eixo FD/88
VW 35.300	90 /	FD/87	Master	FD/88	Master	
VW 35.300 CL	97	FD/87	Master	FD/88	Master	
VW 40.300	99 / 02	FD/87	Master	FD/88	Master	
VW 5-140 Delivery	05 /	PD/109	Varga	FD/72	Bendix	
VW 6-80	82 / 86	VW/255		VW/255		
VW 6-90	82 / 94	VW/255		VW/255		
VW 7-100	99 / 02	FD/77	Master	FD/77	Master	
VW 7-110	03 /	FD/58	Master	FD/58	Master	
VW 7-110 S	87 / 94	VW/255		VW/255		
VW 7-90	82 / 94	VW/255		VW/255		
VW 7-90 S	87 / 94	VW/255		VW/255		
VW 8-100	99	FD/77	Master	FD/77	Master	
VW 8-120	00 / 02	FD/77	Master	FD/77	Master	
VW 8-120	03 /	FD/58	Master	FD/58	Master	
VW 8-120 EOD	06 /	FD/59	Master	FD/59	Master	Ônibus
VW 8-120 OD	03 /	FD/58	Master	FD/59	Master	Ônibus
VW 8-120 Worker	04 /	FD/58 FD/59	Master	FD/58 FD/59	Master	
VW 8-140	93 / 00	FD/77	Master	FD/77	Master	
VW 8-150	00 / 02	FD/77	Master	FD/77	Master	
VW 8-150	03 /	FD/77	Master	FD/77	Master	
VW 8-150 Delivery	05 /	FD/58	Master	FD/58	Master	
VW 8-150 Delivery	05 /	PD/109	Master	FD/58	Master	

MARCA / MODELO	Ano	Dianteira	Sistema	Traseira	Sistema	Obs.:
----------------	-----	-----------	---------	----------	---------	-------

VOLKSWAGEN (continuação)						
VW 8-150 Delivery Plus	04 /	FD/58 FD/59	Master	FD/58 FD/59	Master	
VW 8-150 OD	00 / 02	FD/77	Master	FD/77	Master	Ônibus
VW 8-150 OD	03 /	FD/58	Master	FD/59	Master	Ônibus
VW 8-150 Worker	04 /	FD/58 FD/59	Master	FD/58 FD/59	Master	
VW 8-160 Delivery Advantech		FD/59	Master	FD/59	Master	
VW 8-160 Delivery Advantech		FD/88	Master	4710	Master	
VW 9-150	00 / 02	FD/77	Master	FD/77	Master	
VW 9-150	03 /	FD/58	Master	FD/58	Master	
VW 9-150 Delivery	04 /	FD/58 FD/59	Master	FD/58 FD/59	Master	
VW 9-150 E Worker	04 /	FD/58 FD/59	Master	FD/58 FD/59	Master	
VW 9-150 EOD	06 /	FD/59	Master	FD/59	Master	Ônibus
VW 9-150 OD	03 /	FD/58	Master	FD/59	Master	Ônibus
VW 9-160 Delivery Advantech		FD/59	Master	FD/59	Master	
VW 9-160 Delivery Advantech		FD/88	Master	4710	Master	

VOLVO						
B-7 R	98 /	VV/289	Volvo	VV/290	Volvo	
B-7 R		PD/196	Meritor	PD/196	Meritor	
B-9 R		PD/196	Meritor	PD/196	Meritor	
B-7 - Series	05 /	PD/529	Meritor	PD/529	Meritor	
B-9 - Series	05 /	PD/529	Meritor	PD/129	Meritor	
B-9 - Series (Articulado)	05 /	PD/529	Meritor	PD/129	Meritor	3° eixo PD/129
B-10 M (Articulado)	95 /	VV/288 VV/289	Volvo	VV/290	Volvo	3° eixo e Art. VV/290
B-10 M (Bi-articulado)	98 /	VV/288 VV/289	Volvo	VV/290	Volvo	3° eixo e Art. VV/290
B-10 M 4x2	86 / 96	VV/288	Volvo	VV/290	Volvo	
B-10 M 4x2	89 /	VV/288 VV/289	Volvo	VV/290	Volvo	
B-10 M 6x2	86 /	VV/288 VV/289	Volvo	VV/290	Volvo	3° eixo VV/288
B-10 M 6x2	86 / 89	VV/288	Volvo	VV/290	Volvo	3° eixo VV/288
B-10 R	00 /	VV/289	Volvo	VV/290	Volvo	
B-12 (Importado)	94 / 96	VV/299	Volvo	VV/300	Volvo	3° eixo VV/296
B-12 (Nacional)	96 /	VV/289	Volvo	VV/290	Volvo	
B-12 M		PD/196	Meritor	PD/196	Meritor	
B-12-R 6x2	10 /	PD/196	Volvo	PD/196	Volvo	3° eixo PD/196
B-12-R 8x2	10 /	PD/196	Volvo	PD/196	Volvo	3° eixo PD/196
B-12 - Series	01 /	PD/529	Meritor	PD/529	Meritor	
B-290 R	12 /	PD/196	Volvo	PD/196	Volvo	
B-58 E 4x2	80 / 98	VV/288	Volvo	VV/289	Volvo	
B-58 E 4x2	89 / 98	VV/288 VV/289	Volvo	VV/290	Volvo	
B-58 E 6x2	80 / 86	VV/288	Volvo	VV/290	Volvo	3° eixo VV/288
B-58 M 4x2	89 / 98	VV/288 VV/289	Volvo	VV/289 VV/290	Volvo	

MARCA / MODELO	Ano	Dianteira	Sistema	Traseira	Sistema	Obs.:
----------------	-----	-----------	---------	----------	---------	-------

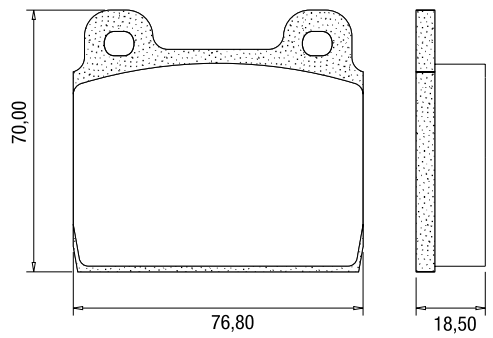
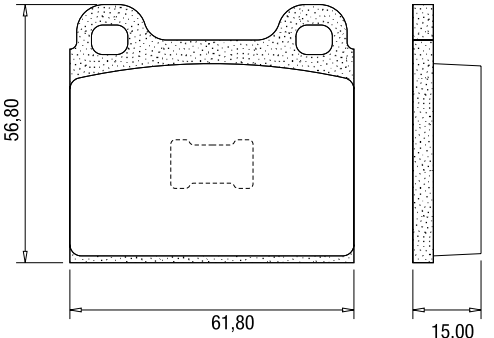
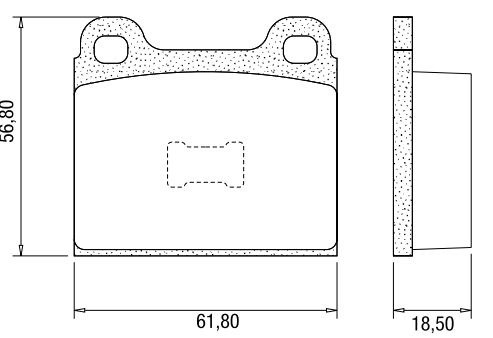
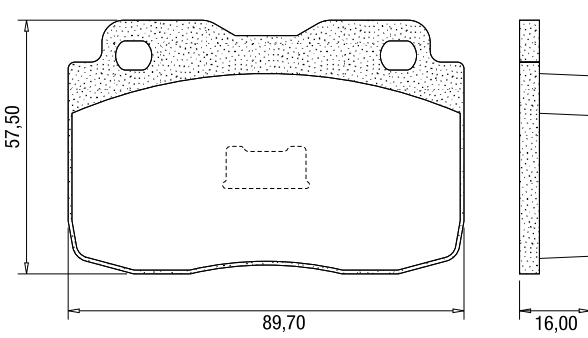
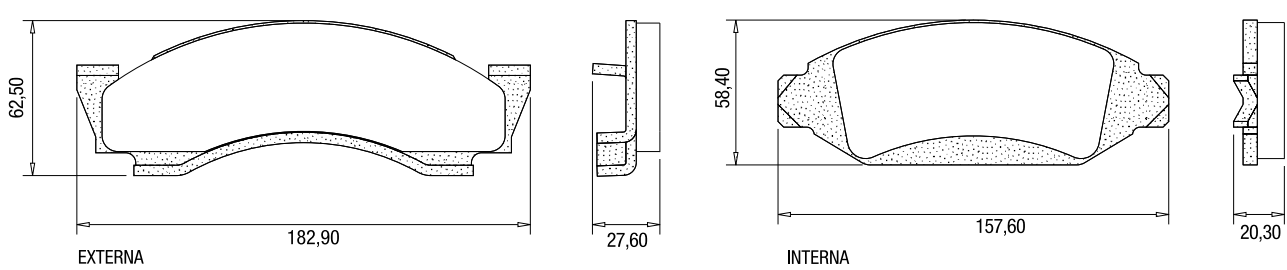
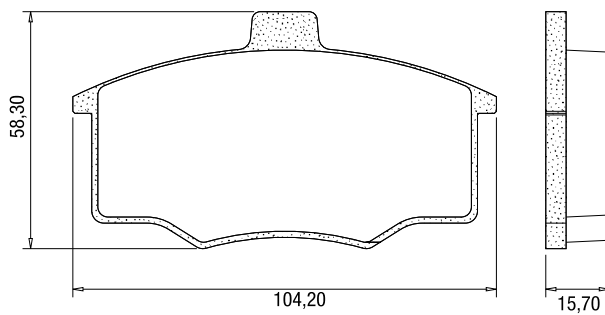
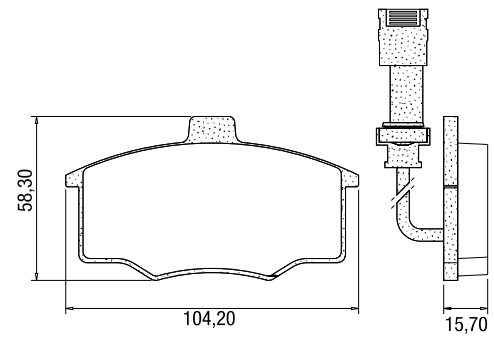
VOLVO (continuação)						
C30	08 /10	PD/767	Teves			
C30 1.6D	10-06 / 2010	PD/767	Teves			
C30 1.6i	10-06 / 2010	PD/767	Teves			
C30 1.8i	10-06 / 2010	PD/767	Teves			
C30 2.0D	10-06 / 2010	PD/767	Teves			
C30 2.0i	10-06 / 2010	PD/767	Teves			
C30 D5	10-06 / 2010	PD/767	Teves			
C30 T5	10-06 / 2010	PD/767	Teves			
C70	06 /	PD/767	Teves			
C70 278mm Brake Rotors	10 /	PD/767	Teves			
C70 300mm Brake Rotors	08 / 09	PD/767	Teves			
C70 305mm Brake Rotors	10 /	PD/767	Teves			
C70 CABRIOLET 2.4	03-06 /	PD/767	Teves			
C70 CABRIOLET 2.4i	03-06 /	PD/767	Teves			
C70 CABRIOLET D5	03-06 /	PD/767	Teves			
FH-12 GLOBETROTTER	98 /	VV/303	Master	VV/304	Master	3° eixo CA/33
FH-12/380 GLOBETROTTER	93 / 98	VV/298	Volvo	VV/300	Volvo	
FH-12 - Series	01 /	PD/529	Meritor	PD/529	Meritor	
FH-12 - Series	09 / 10	PD/196	Meritor	PD/196	Meritor	
FH-13 GLOBETROTTER	98 /	VV/303	Master	VV/304	Master	3° eixo CA/33
FH-16 - Series	01 /	PD/529	Meritor	PD/529	Meritor	
FL-618	00 /	PD/529	Meritor	PD/529	Meritor	
FM-9 - Series	01 /	PD/529	Meritor	PD/529	Meritor	
FM-10	00 /	VV/303	Master	VV/304	Master	
FM-12	01 /	VV/303	Master	VV/304	Master	
FM-12 - Series	01 /	PD/529	Meritor	PD/529	Meritor	
FM - 440	07 /	VV/303	Master	VV/304	Master	
FM-11 370 4x2	08 /	VV/303	Master	VV/304	Master	
FM-11 370 6x2	08 /	VV/303	Master	VV/304	Master	3° eixo CA/33
N-10 4x2	81 / 89	VV/288	Volvo	VV/289	Volvo	
N-10 6x4	80 / 89	VV/288	Volvo	VV/289	Volvo	3° eixo VV/289
N-12 4x2	80 / 89	VV/288	Volvo	VV/289	Volvo	
N-12 6x2	81 / 89	VV/288	Volvo	VV/289	Volvo	3° eixo VV/289
N-12 6x4	81 / 89	VV/288	Volvo	VV/289	Volvo	3° eixo VV/289
NH-12	99 /	VV/303	Master	VV/304	Master	3° eixo CA/33
NL-10 4x2	89 / 93	VV/288	Volvo	VV/289	Volvo	
NL-10 4x2	93 / 98	VV/288	Volvo	VV/289	Volvo	3° eixo VV/288
NL-10 6x2	90 / 93	VV/288	Volvo	VV/289	Volvo	3° eixo VV/289
NL-10 6x4	89 / 93	VV/288	Volvo	VV/289	Volvo	3° eixo VV/289
NL-10 6x4	93 / 98	VV/288	Volvo	VV/289	Volvo	3° eixo VV/288
NL-12 4x2	89 / 93	VV/288	Volvo	VV/289	Volvo	
NL-12 4x2 EDC	93 /	VV/288	Volvo	VV/289	Volvo	3° eixo VV/288
NL-12 6x2	89 / 93	VV/288	Volvo	VV/289	Volvo	
NL-12 6x2	93 / 97	VV/288	Volvo	VV/289	Volvo	3° eixo VV/288
NL-12 6x4	89 / 93	VV/288	Volvo	VV/289	Volvo	3° eixo VV/289
NL-12 6x4 EDC	93 /	VV/288	Volvo	VV/289	Volvo	3° eixo VV/288
S40	04 / 07	PD/767	Teves			
S40 1.6D	01-04 /	PD/767	Teves			
S40 1.6i	01-04 /	PD/767	Teves			
S40 1.8i	01-04 /	PD/767	Teves			

MARCA / MODELO	Ano	Dianteira	Sistema	Traseira	Sistema	Obs.:
----------------	-----	-----------	---------	----------	---------	-------

VOLVO (continuação)						
S40 2.0D	01-04 /	PD/767	Teves			
S40 2.4i	01-04 /	PD/767	Teves			
S40 278mm Brake Rotors	08 / 10	PD/767	Teves			
S40 305mm Brake Rotors	08 / 10	PD/767	Teves			
V50	05 / 07	PD/767	Teves			
V50 278mm Brake Rotors	08 / 10	PD/767	Teves			
V50 305mm Brake Rotors	08 / 10	PD/767	Teves			
V50 STATION WAGON 1.6	01-04 /	PD/767	Teves			
V50 STATION WAGON 1.6D	01-04 /	PD/767	Teves			
V50 STATION WAGON 1.8i	01-04 /	PD/767	Teves			
V50 STATION WAGON 2.0D	01-04 /	PD/767	Teves			
V50 STATION WAGON 2.4i	01-04 /	PD/767	Teves			
VM-17 4x2	03 /	PD/131	Wabco	VV/306	Master	
VM-17 4x2 (Lixo)	03 /	PD/131	Wabco	VV/307	Master	
VM-210 4x2 17-ton.	03 /	PD/131	Wabco	VV/306	Master	
VM-210 4x2 17-ton. (Heavy Duty)	03 /	PD/131	Wabco	VV/307	Master	
VM-210 6x2 23-ton.	03 /	PD/131	Wabco	VV/306	Master	3° eixo VV/306
VM-23 6x2	03 /	PD/131	Wabco	VV/306	Master	3° eixo VV/306
VM-240	03 /	PD/131	Wabco	VV/306	Master	3° eixo VV/306
VM-260 4x2 17-ton.	03 /	PD/131	Wabco	VV/306	Master	
VM-260 4x2 17-ton. (Heavy Duty)	03 /	PD/131	Wabco	VV/307	Master	
VM-260 6x2 23-ton.	03 /	PD/131	Wabco	VV/306	Master	3° eixo VV/306
VM-260 6x4 23-ton.	06 /	VV/308	Master	VV/306	Master	3° eixo VV/306
VM-310R 6x4 23-ton.	06 /	VV/308	Master	VV/306	Master	3° eixo VV/306
VM-310T 4x2 43-ton.	06 /	VV/308 PD/529	Master Meritor	VV/306 PD/529	Master Meritor	

WABCO						
229 G				4633-A		VF-49640A
W-22				4375		AD-3395
W-22				4462-A		AD-5211 AD-5210
W-22				4462-A		AD-5211 AD-5210
W-23				4375		AD-3395
W-23				4462-A		AD-5211 AD-5210
W-23				4462-A		AD-5211 AD-5210
W-35 C				4375		AD-3395
W-35 C				4462-A		AD-5211 AD-5210
W-35 C				4462-A		AD-5211 AD-5210

<p>PD/1 4 pastilhas iguais</p>	<p>PD/5 4 pastilhas iguais</p>
<p>PD/6 4 pastilhas iguais</p>	<p>PD/7 4 pastilhas iguais</p>
<p>PD/8 4 pastilhas iguais</p>	<p>PD/9 4 pastilhas iguais</p>
<p>PD/10 4 pastilhas iguais</p>	<p>PD/11 4 pastilhas iguais</p>

<p>PD/13 ————— 4 pastilhas iguais</p> 	<p>PD/16 ————— 4 pastilhas iguais</p> 
<p>PD/17 ————— 4 pastilhas iguais</p> 	<p>PD/18 ————— 4 pastilhas iguais</p> 
<p>PD/19-C ————— 2 pastilhas internas 2 pastilhas externas</p> 	
<p>PD/22 ————— 4 pastilhas iguais</p> 	<p>PD/22-B ————— 3 pastilhas sem sensor 1 pastilha com sensor elétrico</p> 

PD/23 ————— 2 pastilhas sem mola
2 pastilhas com mola

PD/24 ————— 4 pastilhas iguais

PD/24-A ————— 2 pastilhas sem mola
2 pastilhas com mola e com sensor elétrico

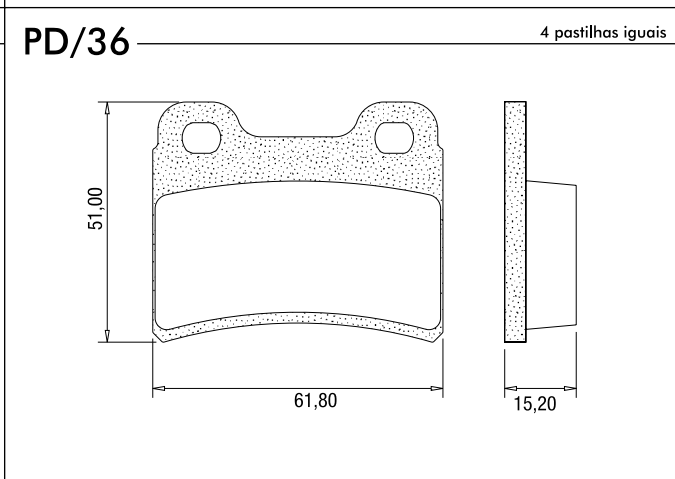
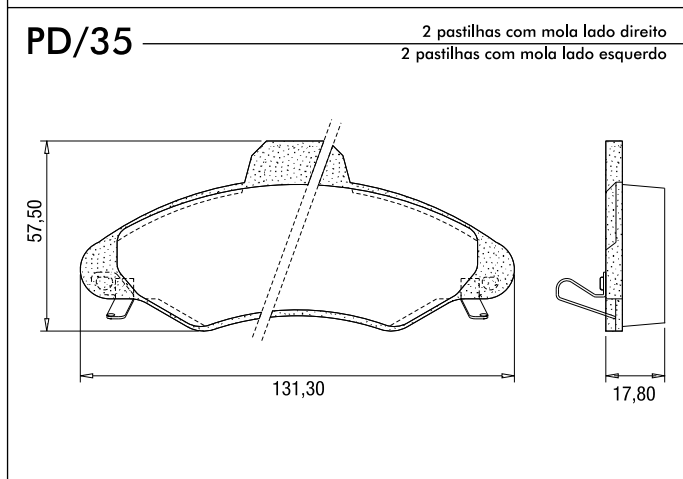
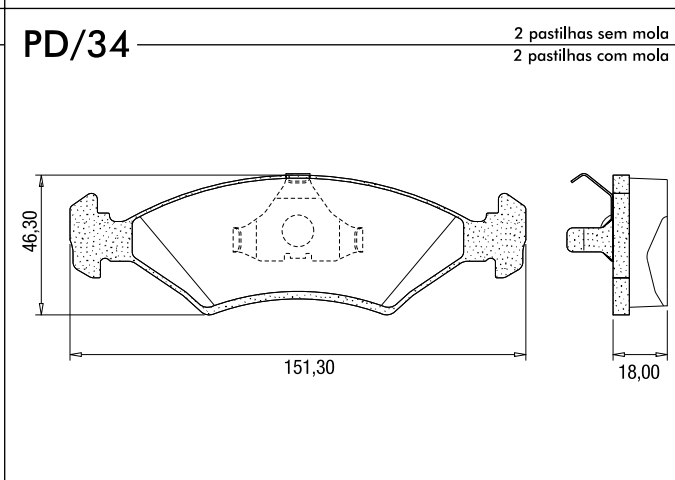
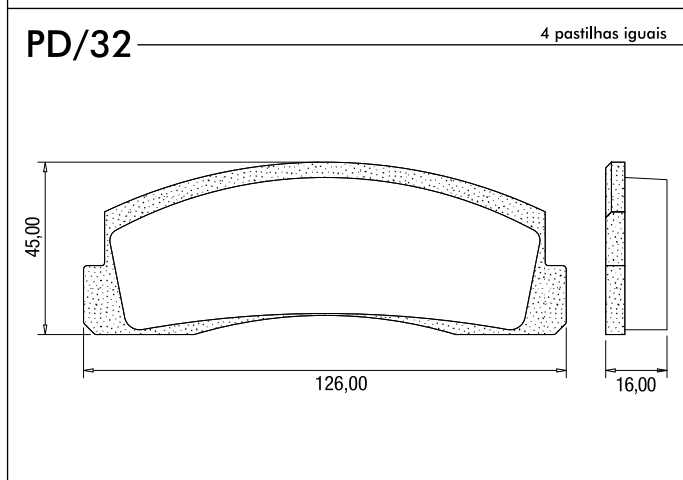
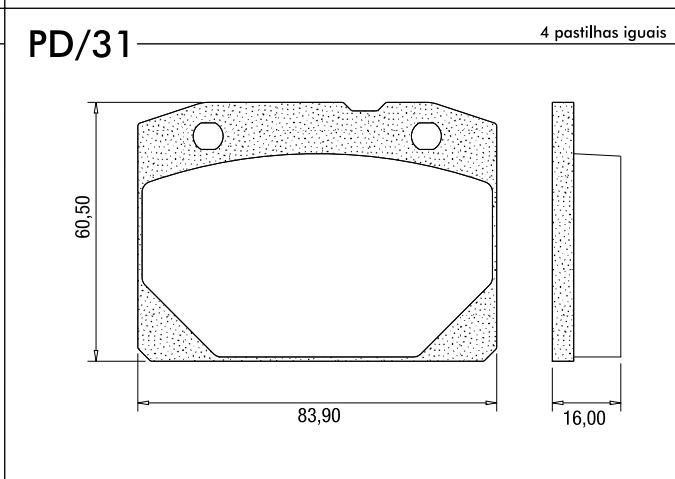
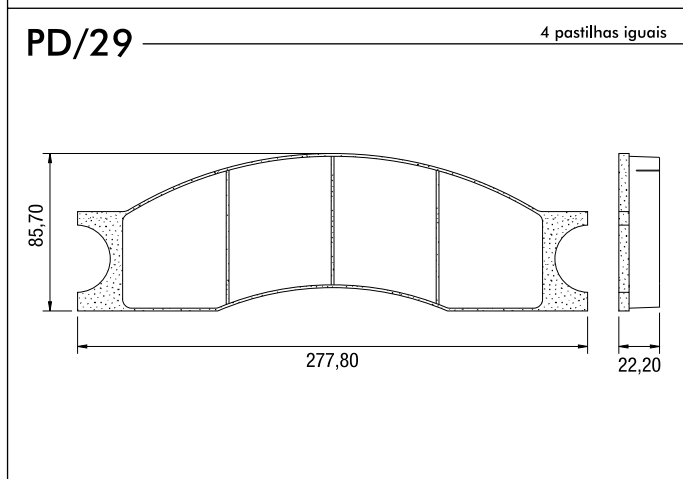
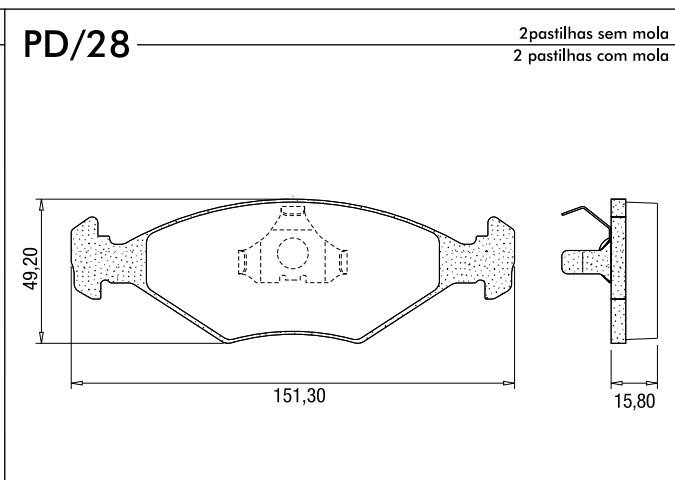
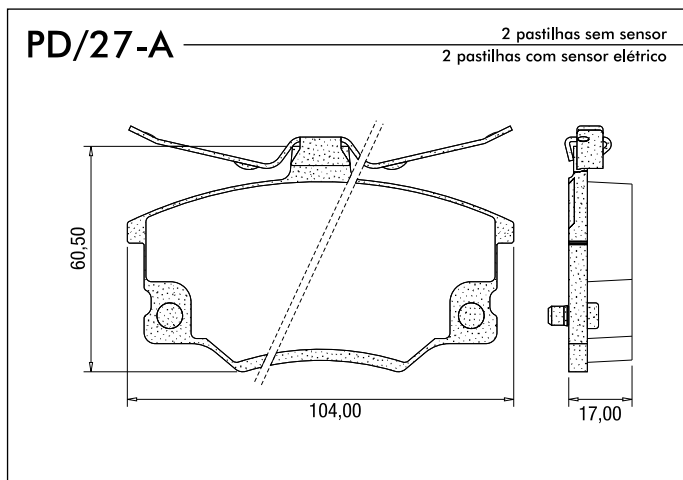
PD/24-B ————— 2 pastilhas sem mola,
1 pastilha com mola
1 pastilha com mola e com sensor elétrico

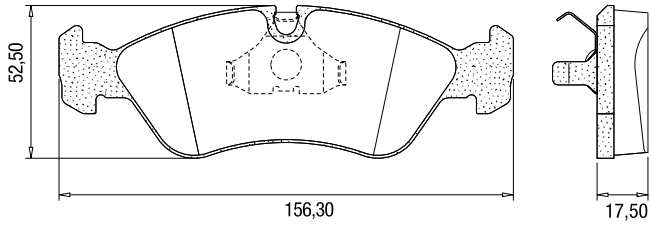
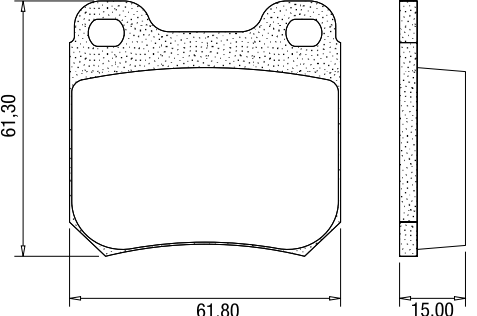
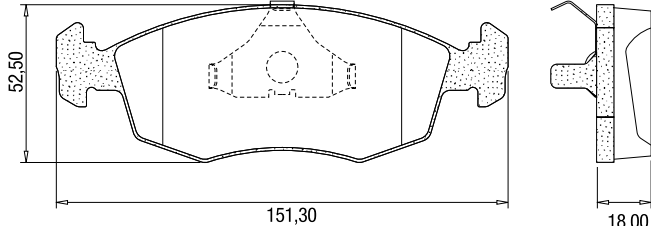
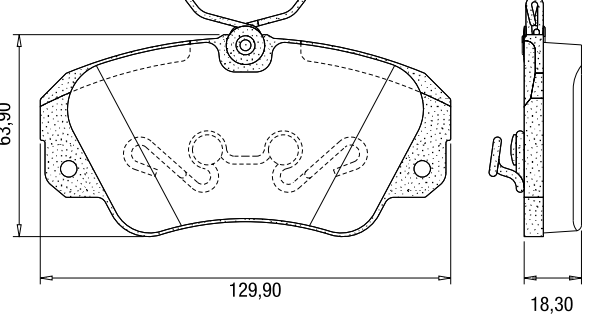
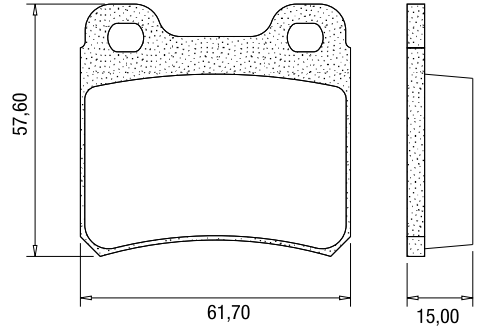
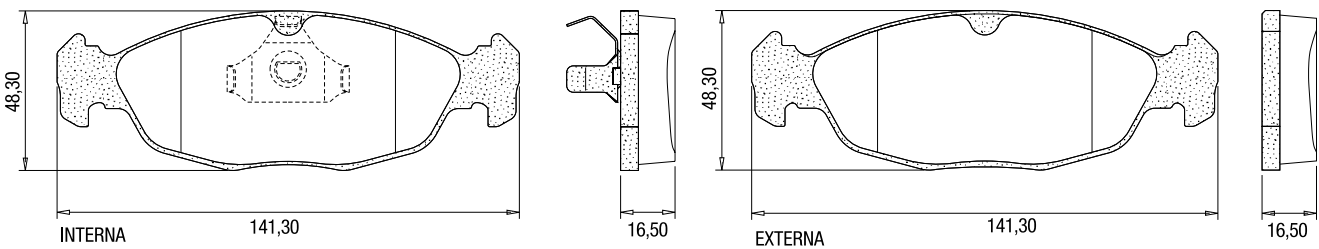
PD/25 ————— 2 pastilhas sem mola
2 pastilhas com mola

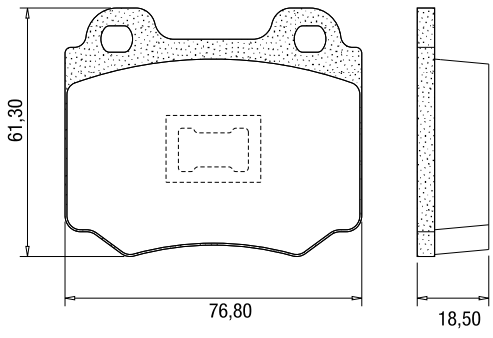
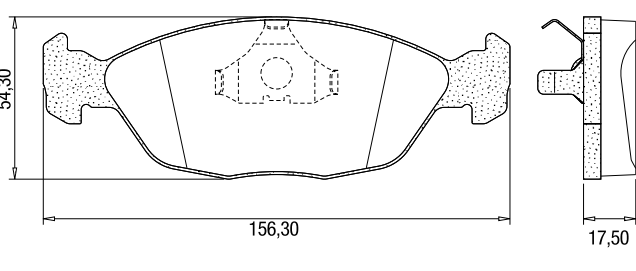
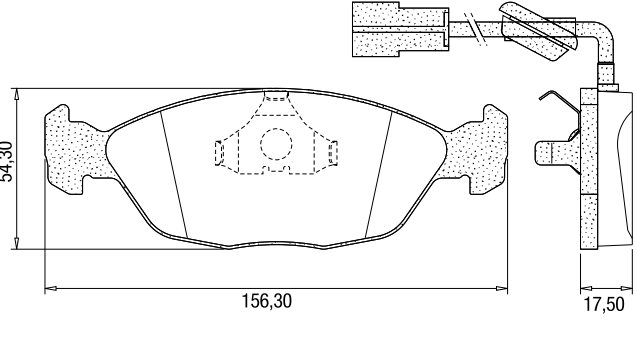
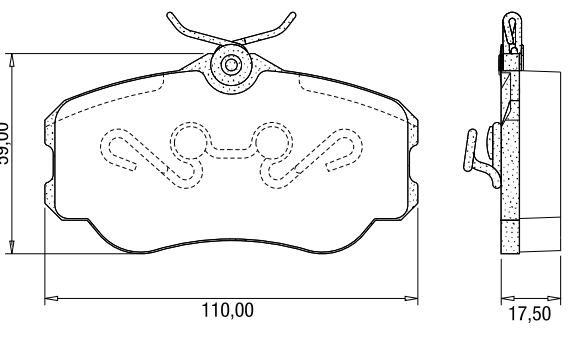
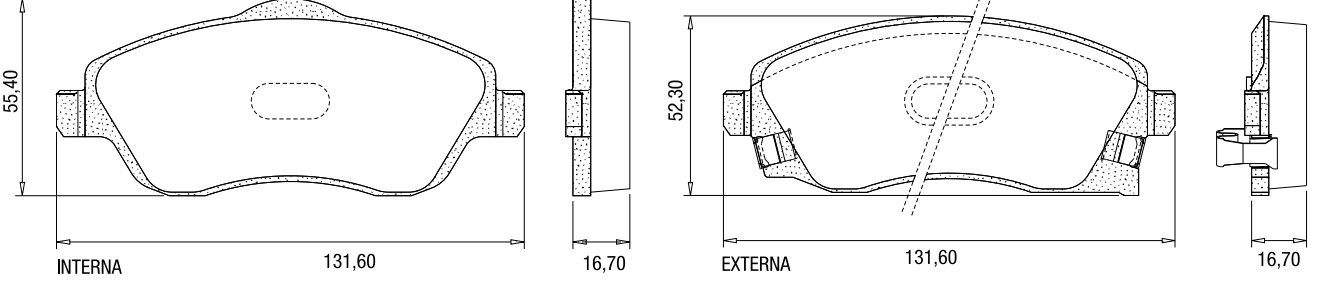
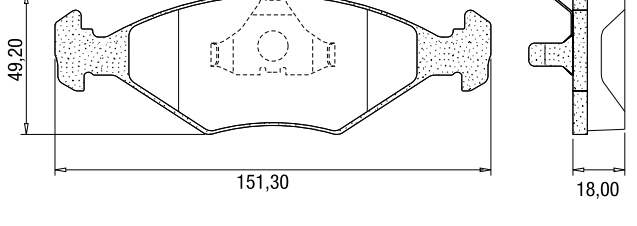
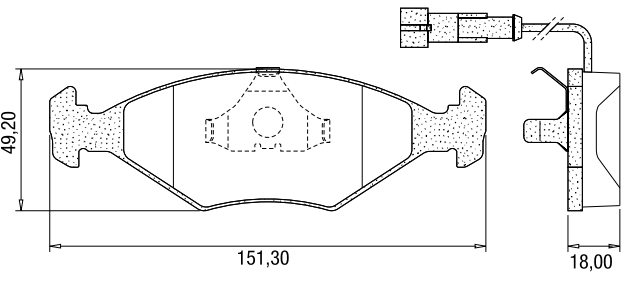
PD/25-A ————— 2 pastilhas sem mola
2 pastilhas com mola e com sensor elétrico

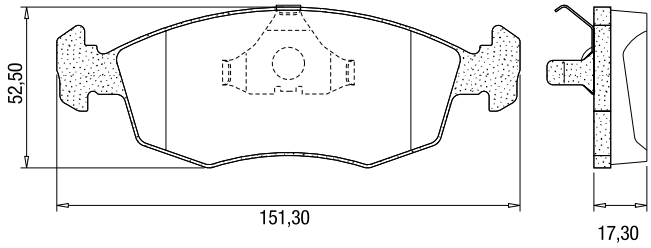
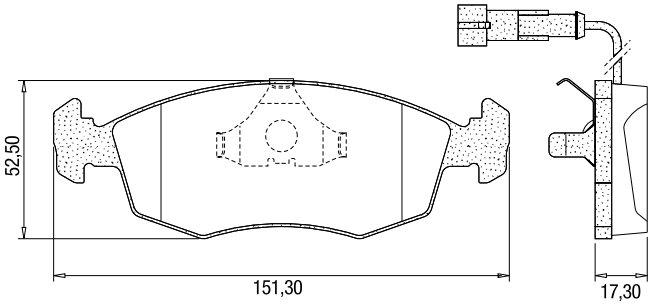
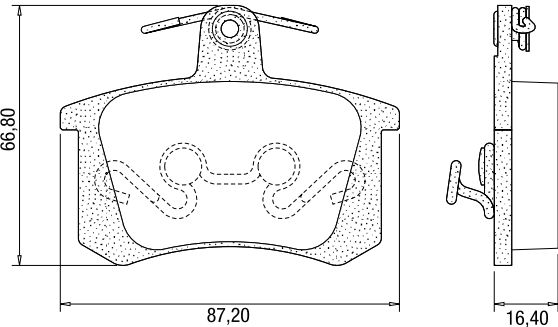
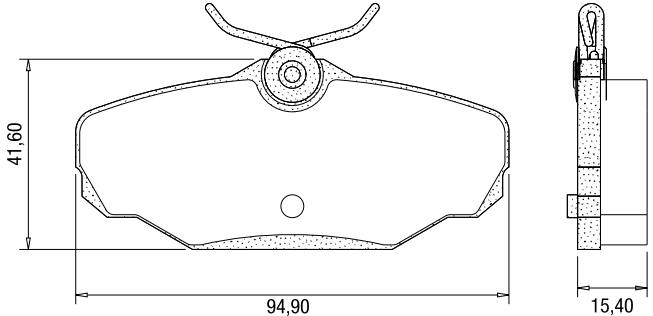
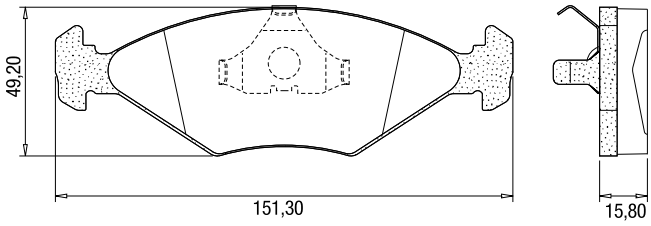
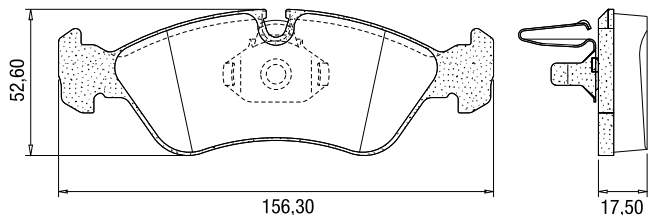
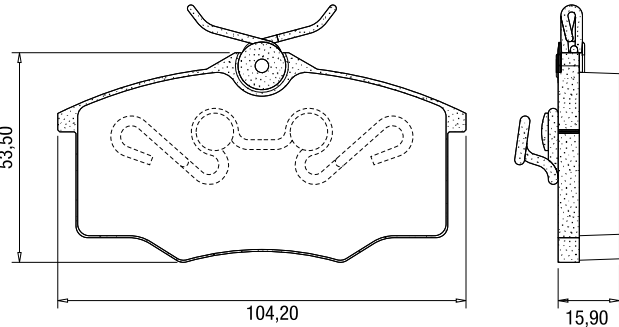
PD/25-B ————— 2 pastilhas sem mola, 1 pastilha com mola
1 pastilha com mola e com sensor elétrico

PD/26 ————— 4 pastilhas iguais



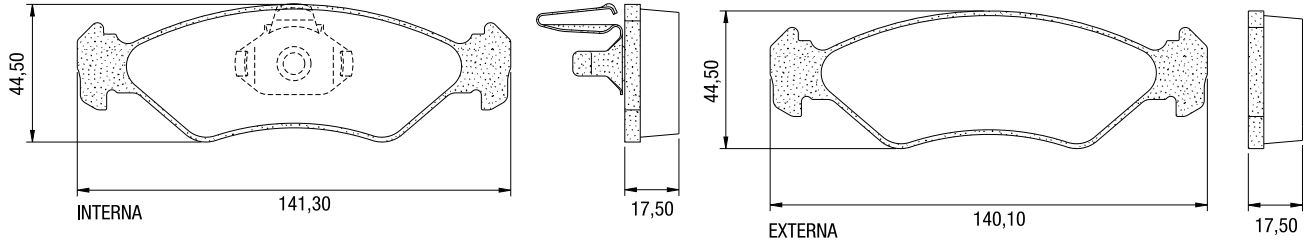
<p>PD/37</p> <p>2 pastilhas sem mola 2 pastilhas com mola</p> 	<p>PD/38</p> <p>4 pastilhas iguais</p> 
<p>PD/39</p> <p>2 pastilhas sem mola 2 pastilhas com mola</p> 	<p>PD/40</p> <p>2 pastilhas sem mola 2 pastilhas com mola</p> 
<p>PD/41</p> <p>4 pastilhas iguais</p> 	
<p>PD/42</p> <p>2 pastilhas sem mola 2 pastilhas com mola</p>  <p>INTERNA 141,30 16,50 EXTERNA 141,30 16,50</p>	

<p>PD/43 ————— 4 pastilhas iguais</p> 	<p>PD/44 ————— 2 pastilhas sem mola 2 pastilhas com mola</p> 
<p>PD/44-B ————— 2 pastilhas sem mola, 1 pastilha com mola 1 pastilha com mola e com sensor elétrico</p> 	<p>PD/45 ————— 2 pastilhas sem mola 2 pastilhas com mola</p> 
<p>PD/46 ————— 2 pastilhas internas 2 pastilhas externas com sensor acústico</p> 	
<p>PD/47 ————— 2 pastilhas sem mola 2 pastilhas com mola</p> 	<p>PD/47-A ————— 2 pastilhas sem mola 2 pastilhas com mola e com sensor elétrico</p> 

<p>PD/48</p> <p>2 pastilhas sem mola 2 pastilhas com mola</p> 	<p>PD/48-A</p> <p>2 pastilhas sem mola 2 pastilhas com mola e com sensor elétrico</p> 
<p>PD/49</p> <p>2 pastilhas sem mola 2 pastilhas com mola</p> 	<p>PD/50</p> <p>4 pastilhas iguais</p> 
<p>PD/51</p> <p>2 pastilhas sem mola 2 pastilhas com mola</p> 	<p>PD/52</p> <p>2 pastilhas sem mola 2 pastilhas com mola</p> 
<p>PD/54</p> <p>4 pastilhas iguais</p> 	Empty space for drawing

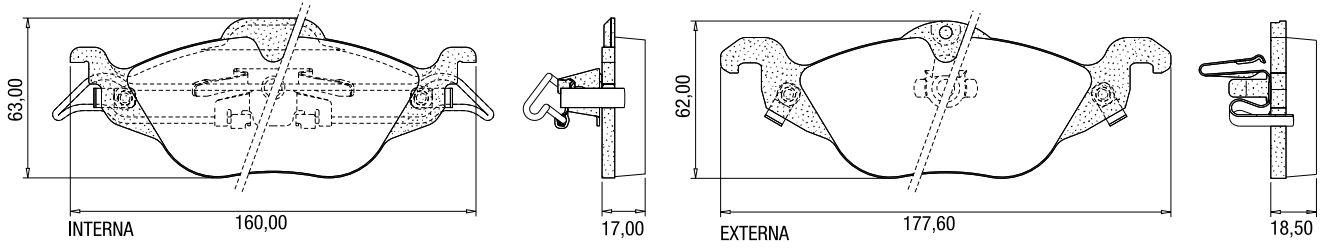
PD/55

2 pastilhas sem mola
2 pastilhas com mola



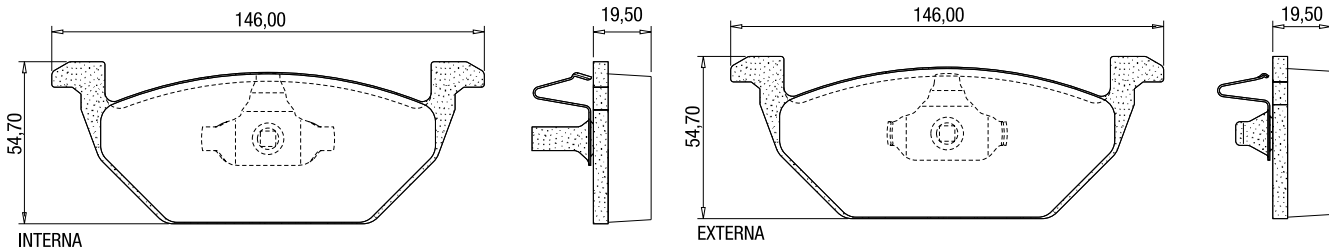
PD/57

2 pastilhas internas com sensor acústico
2 pastilhas externas com sensor acústico



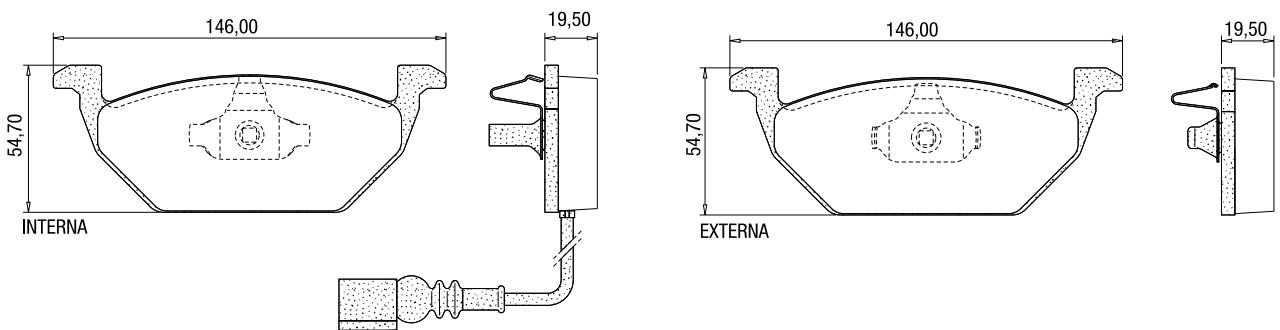
PD/58

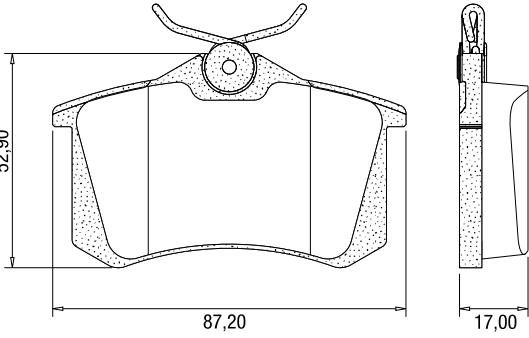
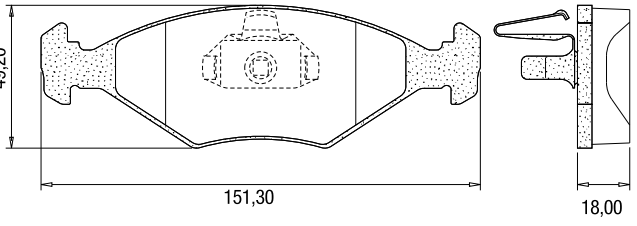
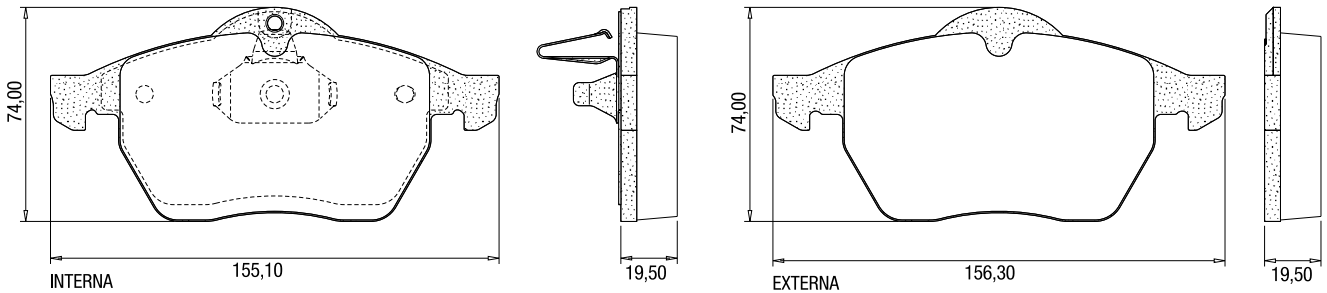
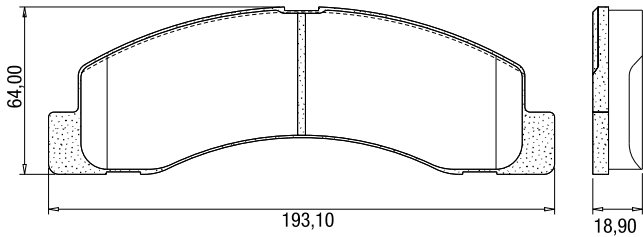
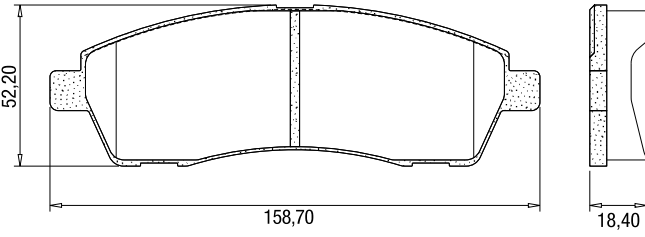
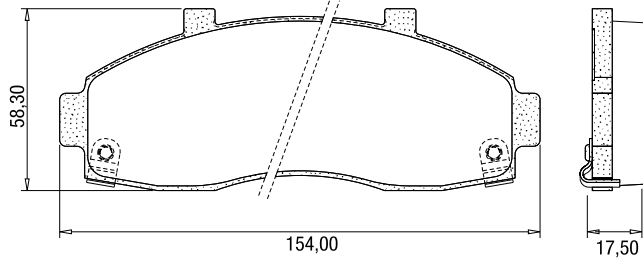
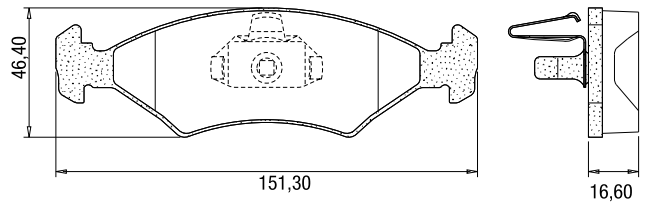
2 pastilhas internas com mola
2 pastilhas externas com mola



PD/58-B

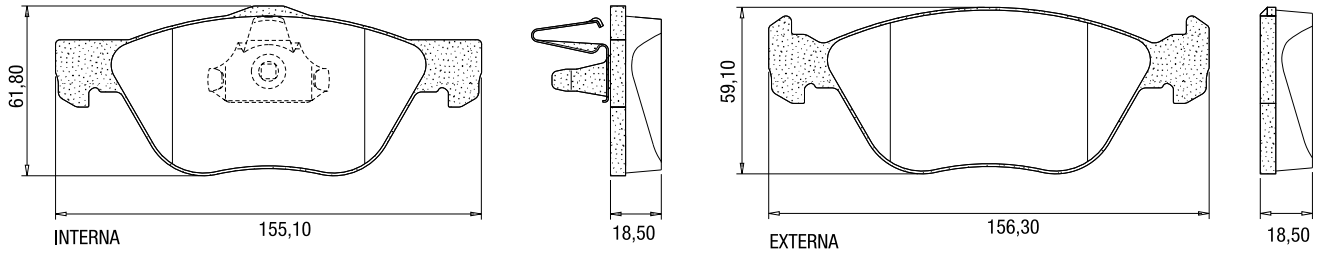
1 pastilha interna com mola e com sensor elétrico
1 pastilha internas com mola
2 pastilhas externas com mola



<p>PD/59 ————— 4 pastilhas iguais</p> 	<p>PD/60 ————— 2 pastilhas sem mola 2 pastilhas com mola</p> 
<p>PD/61 ————— 2 pastilhas externas sem mola 2 pastilhas internas com mola</p> 	
<p>PD/62 ————— 4 pastilhas iguais</p> 	<p>PD/63 ————— 4 pastilhas iguais</p> 
<p>PD/64 ————— 2 pastilhas sem sensor 2 pastilhas com sensor acústico</p> 	<p>PD/65 ————— 2 pastilhas sem mola 2 pastilhas com mola</p> 

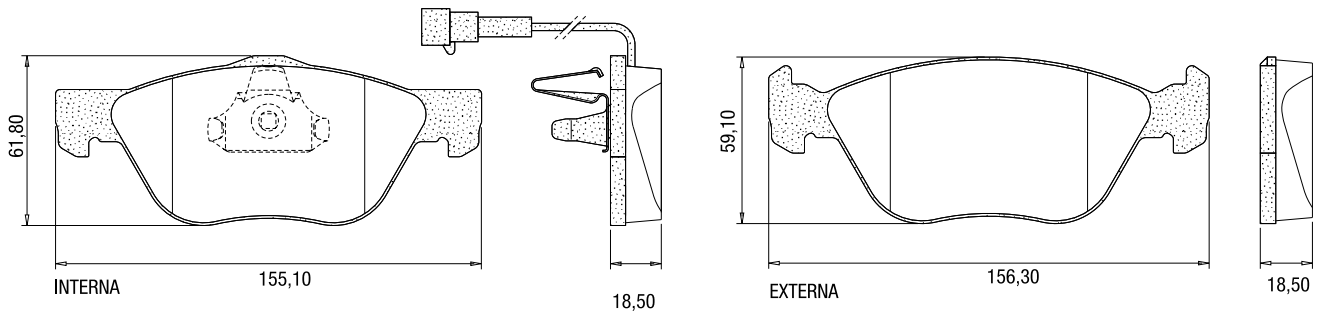
PD/66

2 pastilhas externas sem mola
2 pastilhas internas com mola



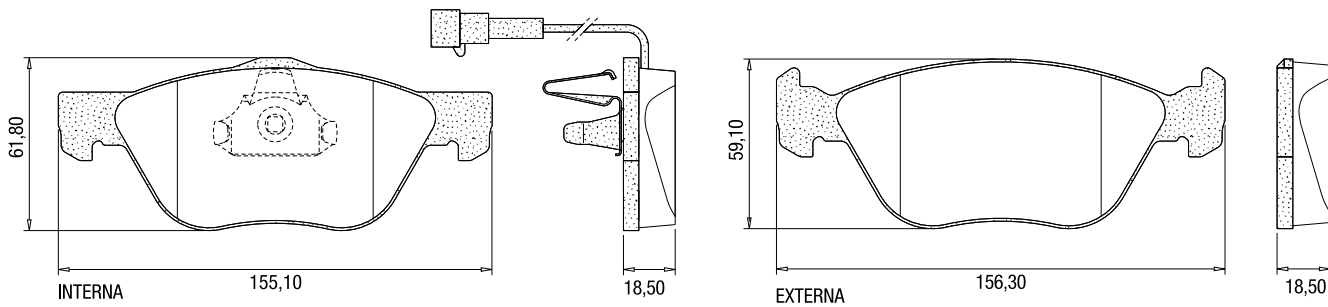
PD/66-A

2 pastilhas externas sem mola
2 pastilha internas com mola e com sensor elétrico



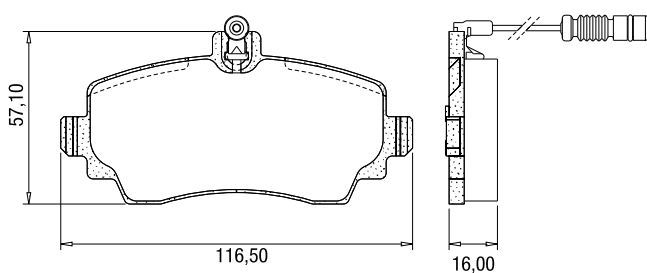
PD/66-B

2 pastilhas externas sem mola
1 pastilha interna com mola
1 pastilha internas com mola e com sensor elétrico



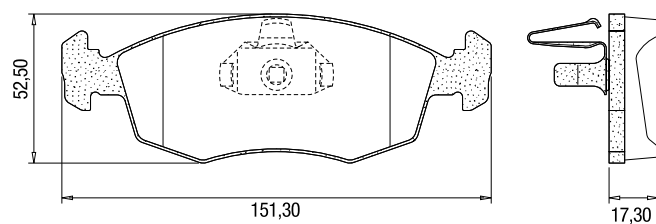
PD/67-A

2 pastilhas sem sensor
2 pastilhas com sensor elétrico



PD/68

2 pastilhas sem mola
2 pastilhas com mola



PD/68-B ————— 2 pastilhas externas sem mola
1 pastilha interna com mola
1 pastilha interna c/ mola e com sensor elétrico

PD/69 ————— 2 pastilhas sem sensor
2 pastilhas com sensor acústico

PD/71 ————— 2 pastilhas internas com sensor acústico
2 pastilhas externas com mola

INTERNA 118,00 15,40

EXTERNA 118,00 15,40

PD/72 ————— 2 pastilhas internas com mola
2 pastilhas externas com sensor acústico

INTERNA 155,10 19,50

EXTERNA 156,30 19,50

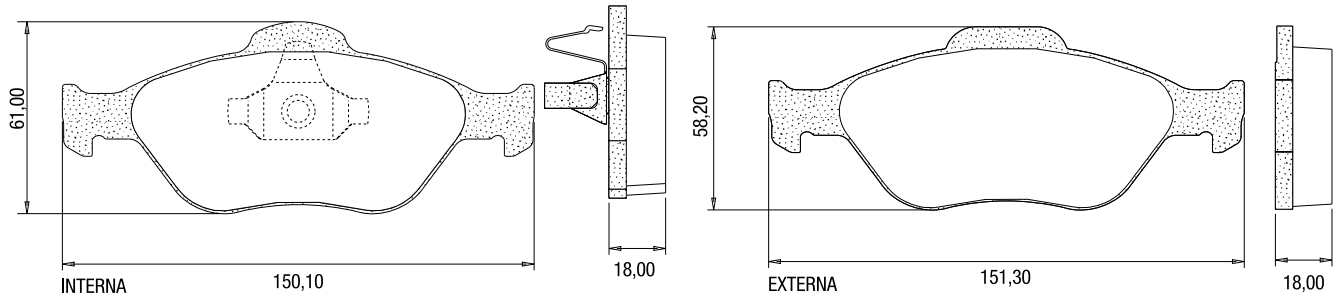
PD/73 ————— 4 pastilhas iguais

PD/73-B ————— 3 pastilhas sem sensor
1 pastilha com sensor acústico

<p>PD/74 ————— 2 pastilhas sem sensor 2 pastilhas com sensor acústico</p>	<p>PD/76 ————— 4 pastilhas iguais</p>
<p>PD/77 ————— 2 pastilhas sem sensor 2 pastilhas com sensor acústico</p>	
<p>PD/78-A ————— 2 pastilhas externas sem mola 2 pastilha internas com mola e com sensor elétrico</p>	
<p>PD/79 ————— 2 pastilhas sem mola 2 pastilhas com mola</p>	Empty space for drawing

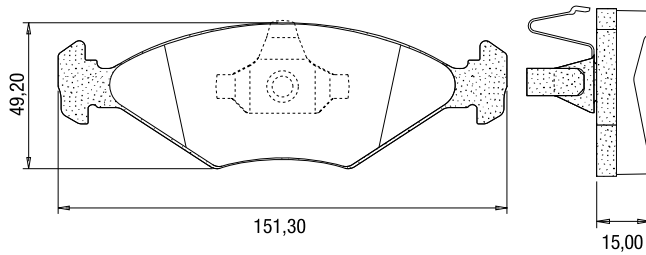
PD/80

2 pastilhas sem mola
2 pastilhas com mola



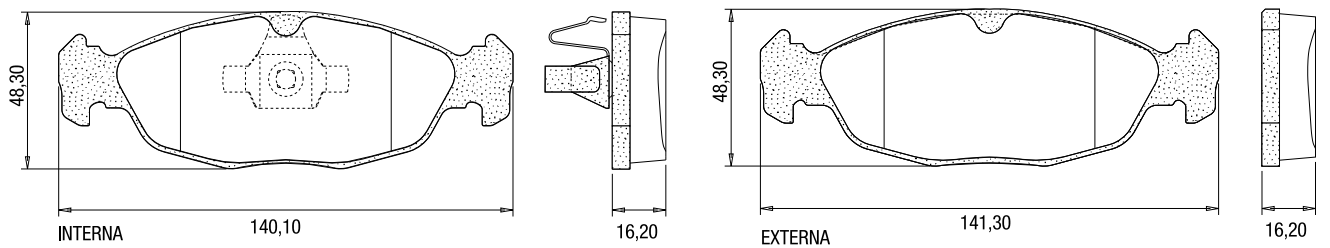
PD/81

2 pastilhas sem mola
2 pastilhas com mola



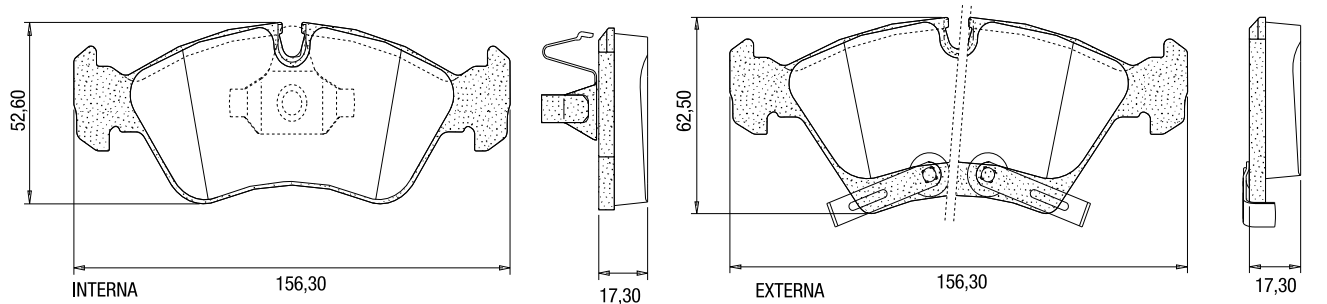
PD/82

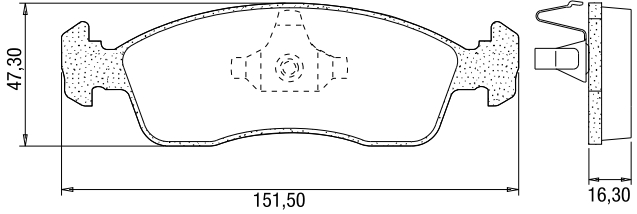
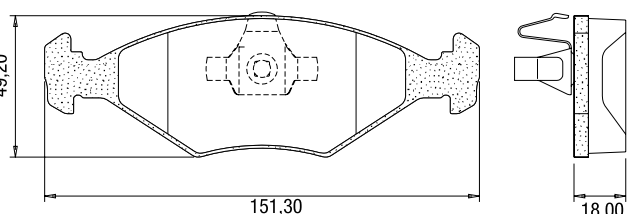
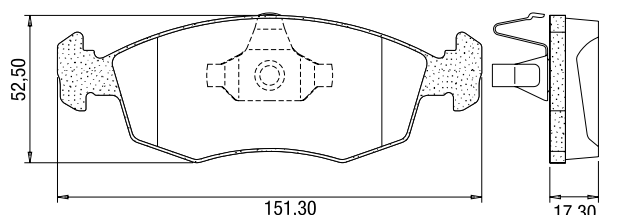
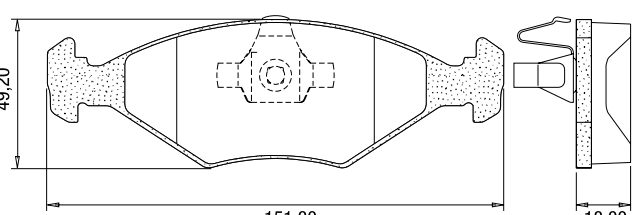
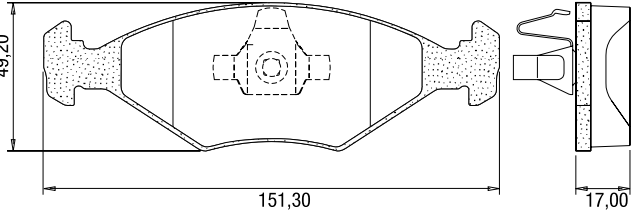
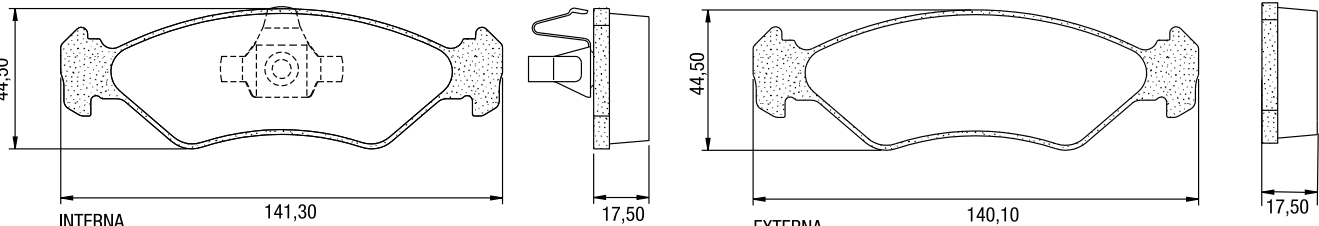
2 pastilhas sem mola
2 pastilhas com mola



PD/84

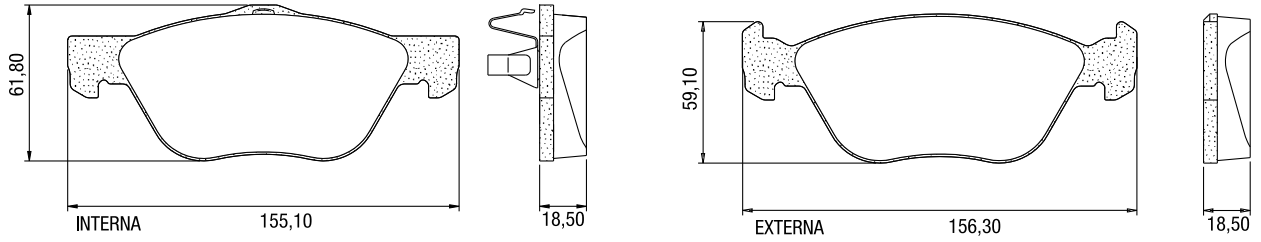
2 pastilhas sem sensor
2 pastilhas com sensor acústico



<p>PD/85</p> <p>2 pastilhas sem mola 2 pastilhas com mola</p> 	<p>PD/87</p> <p>2 pastilhas sem mola 2 pastilhas com mola</p> 
<p>PD/88</p> <p>2 pastilhas sem mola 2 pastilhas com mola</p> 	<p>PD/89</p> <p>2 pastilhas sem mola 2 pastilhas com mola</p> 
<p>PD/90</p> <p>2 pastilhas sem mola 2 pastilhas com mola</p> 	
<p>PD/91</p> <p>2 pastilhas sem mola 2 pastilhas com mola</p> 	

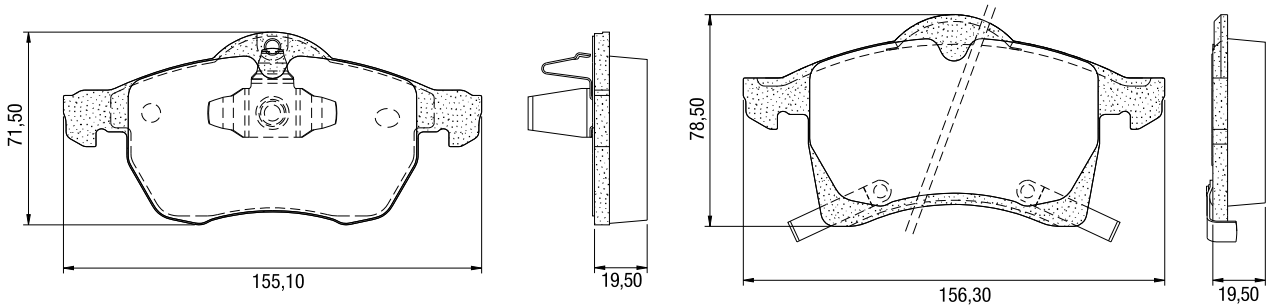
PD/92

2 pastilhas sem mola
2 pastilhas com mola



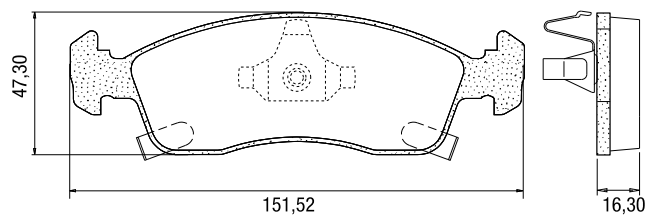
PD/93

2 pastilhas sem mola
2 pastilhas sem mola e com sensor acústico



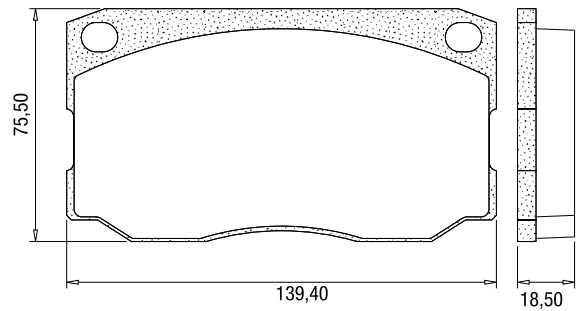
PD/94

2 pastilhas sem mola
2 pastilhas com mola



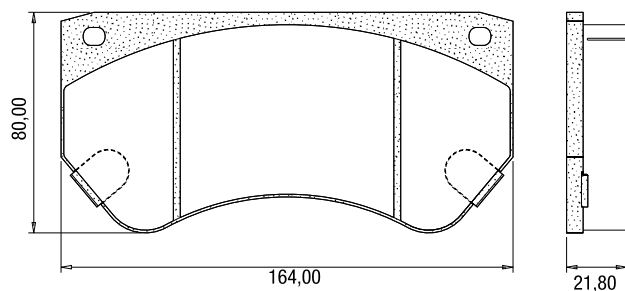
PD/102

4 pastilhas iguais



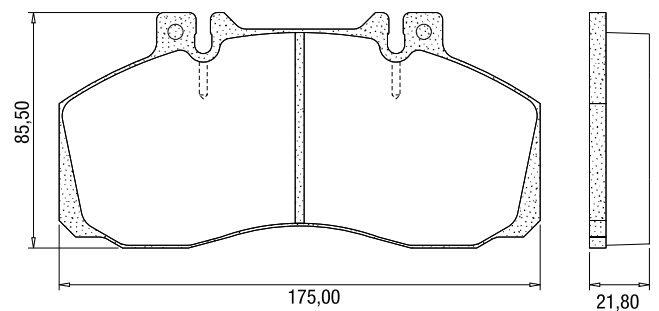
PD/103

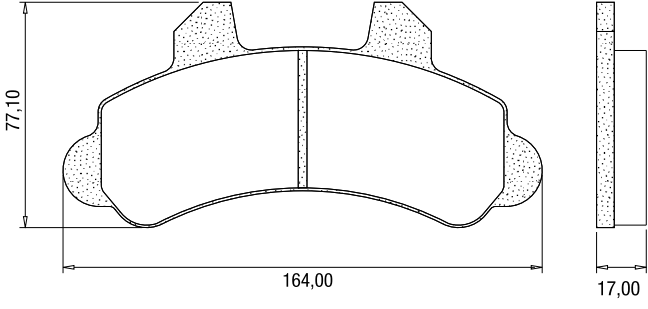
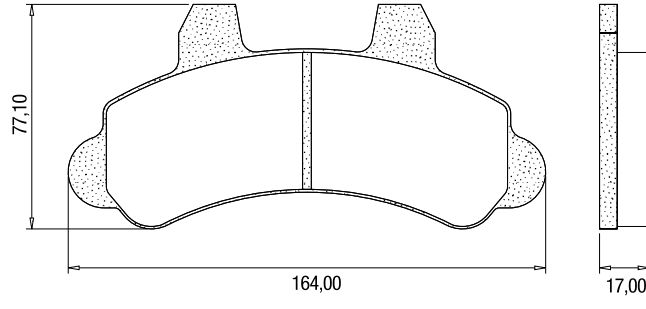
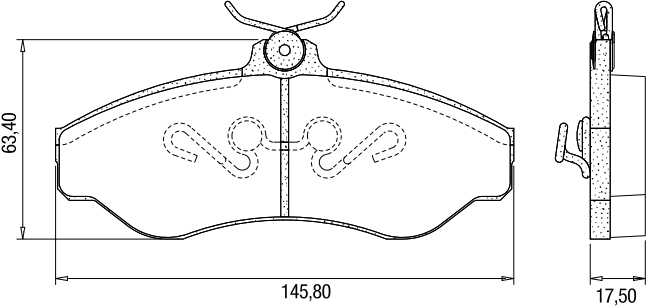
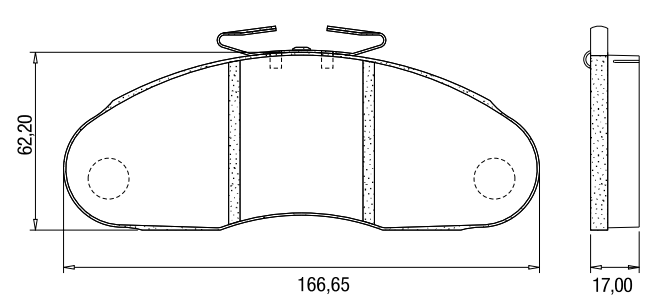
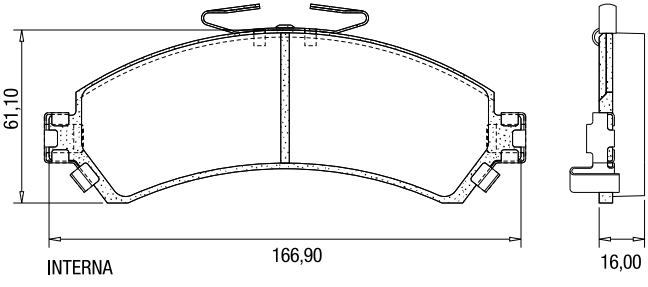
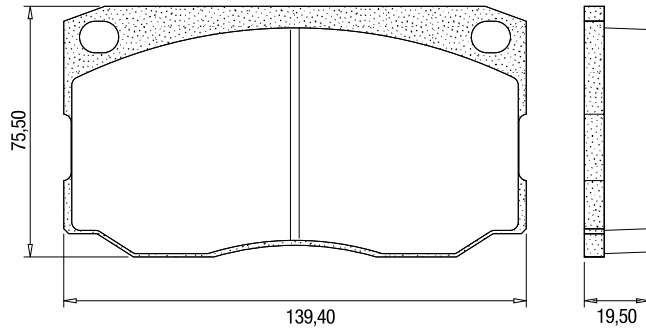
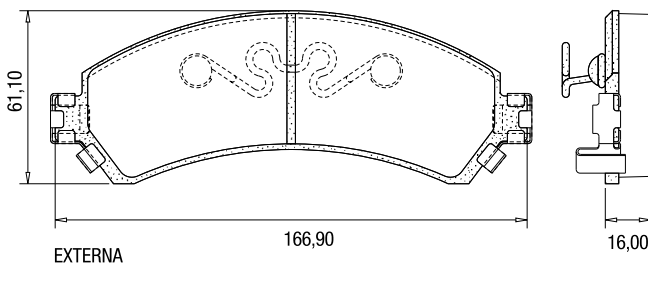
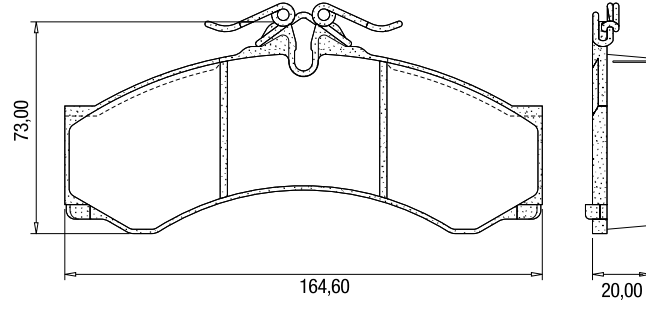
2 pastilhas sem sensor
2 pastilhas com sensor acústico



PD/104

4 pastilhas iguais



<p>PD/105 ————— 4 pastilhas iguais</p> 	<p>PD/106 ————— 4 pastilhas iguais</p> 
<p>PD/107 ————— 2 pastilhas sem mola 2 pastilhas com mola</p> 	<p>PD/108 ————— 2 pastilhas sem mola 2 pastilhas com mola</p> 
<p>PD/110 ————— 2 pastilhas internas com sensor acústico 2 pastilhas externas com sensor acústico</p> 	<p>PD/109 ————— 4 pastilhas iguais</p> 
	<p>PD/111 ————— 4 pastilhas iguais</p> 

PD/111-A ————— 2 pastilhas sem sensor
2 pastilhas com sensor elétrico

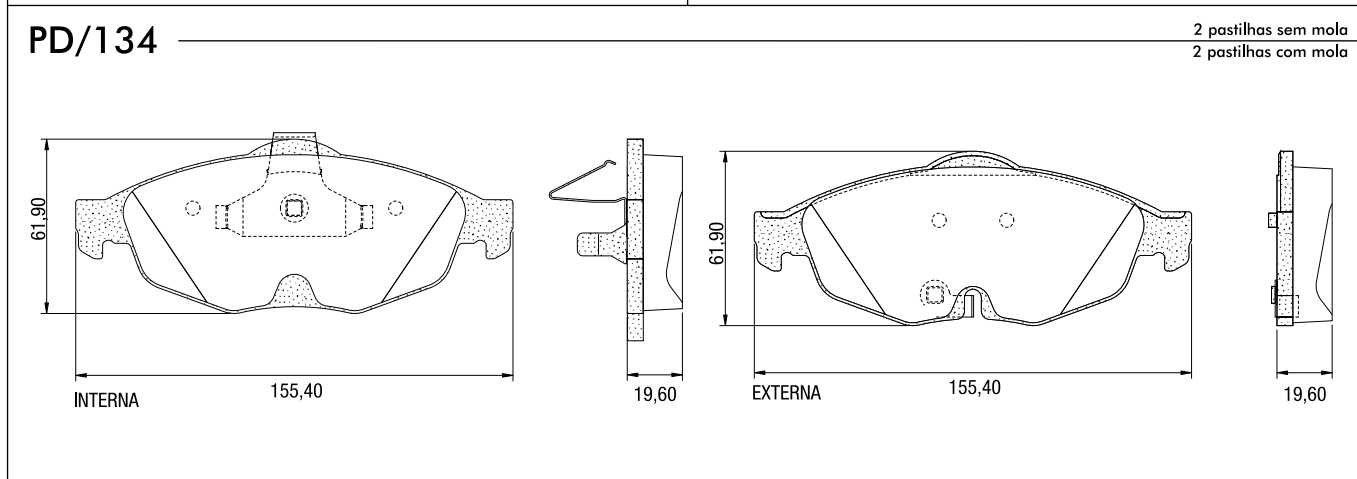
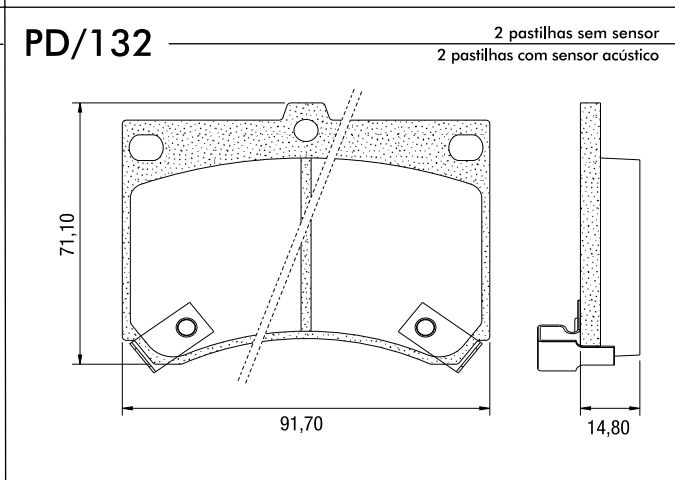
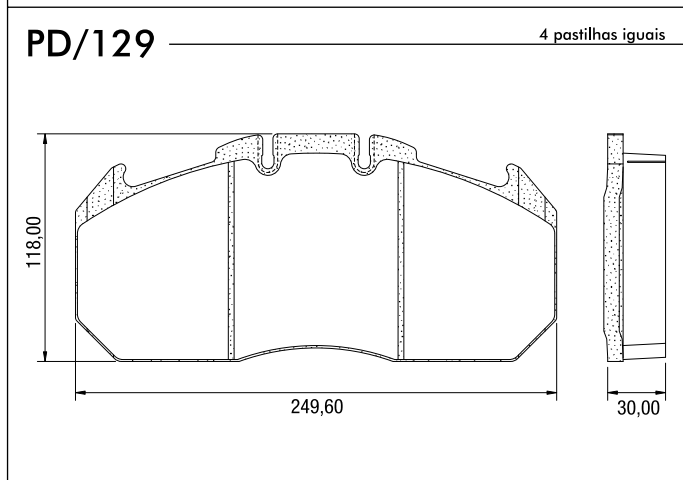
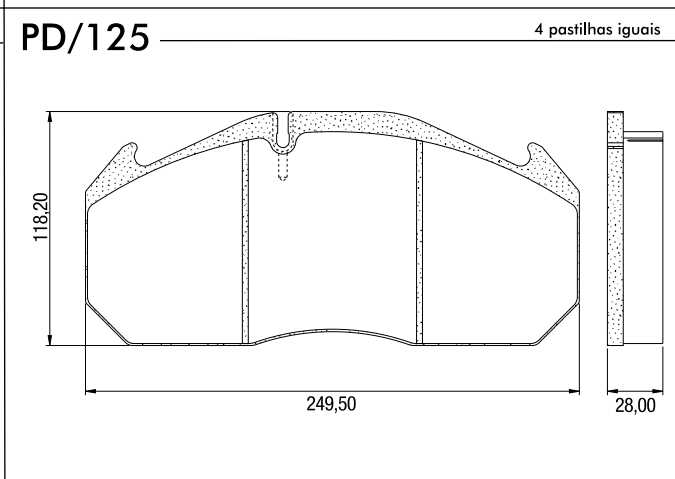
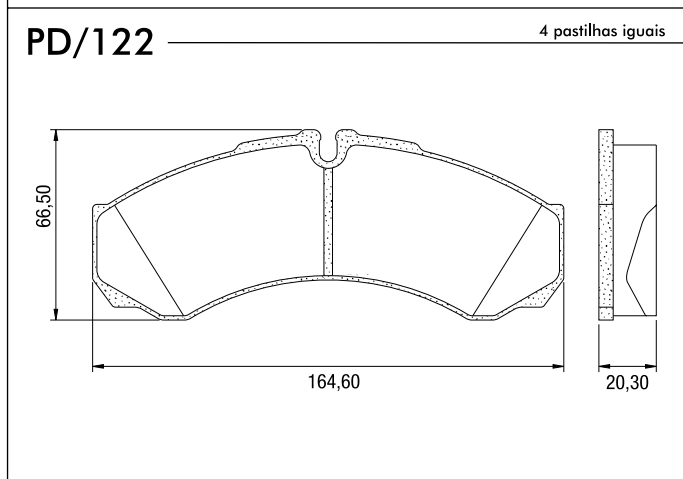
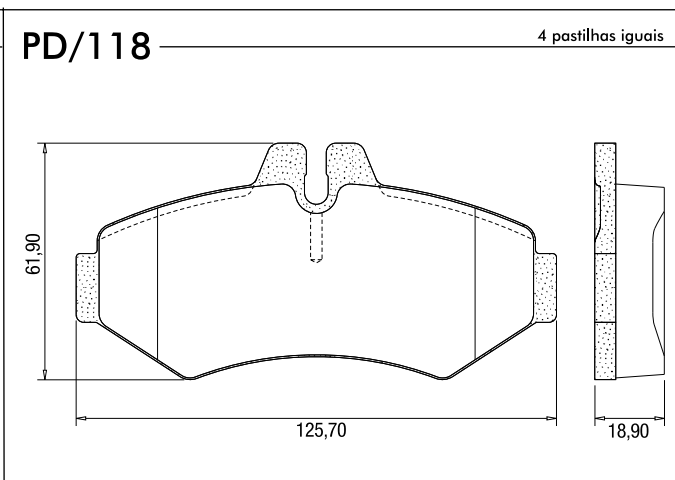
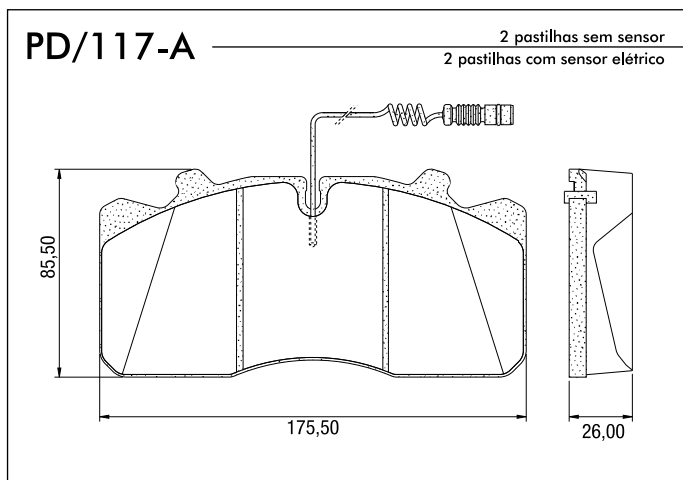
PD/113 ————— 4 pastilhas iguais

PD/114 ————— 2 pastilhas sem mola e com sensor acústico
2 pastilhas com mola

PD/115 ————— 2 pastilhas internas com sensor acústico
2 pastilhas externas com sensor acústico

PD/116-K ————— 4 pastilhas iguais
1 kit de reparos para os freios

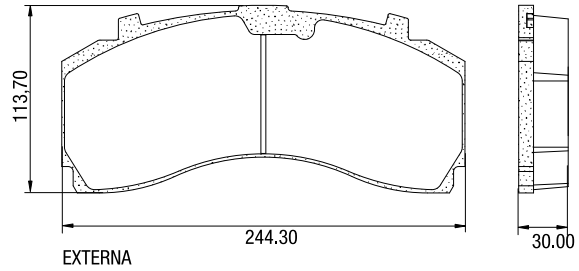
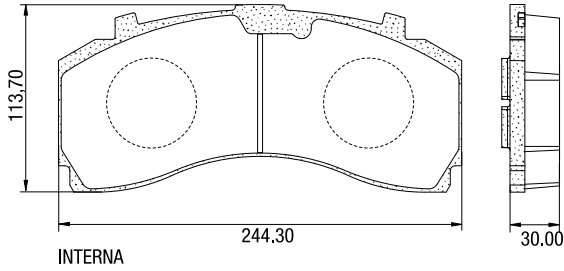
PD/117 ————— 4 pastilhas iguais



<p>PD/135</p>	<p>2 pastilhas sem mola 2 pastilhas com mola e com sensor acústico</p>
<p>PD/139</p> <p>4 pastilhas iguais</p>	<p>PD/189</p> <p>4 pastilhas iguais</p>
<p>PD/190</p> <p>4 pastilhas iguais</p>	<p>PD/196</p> <p>4 pastilhas iguais</p>
<p>PD/201</p>	<p>PD/204</p>

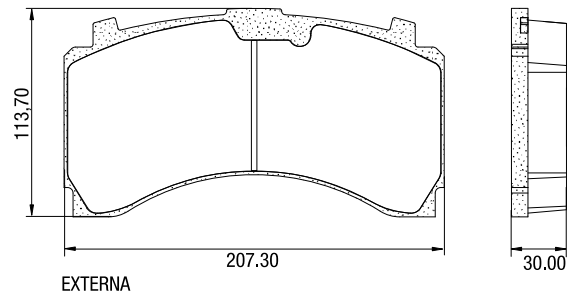
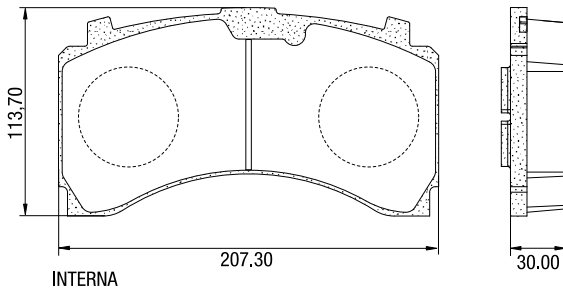
PD/205

2 pastilhas internas
2 pastilhas externas



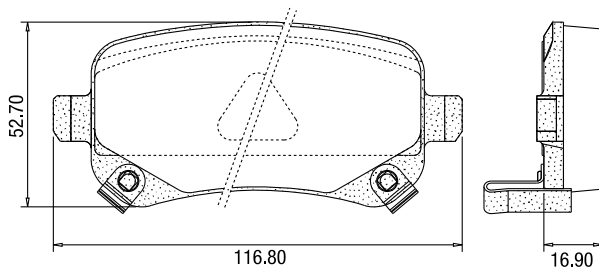
PD/206

2 pastilhas internas
2 pastilhas externas



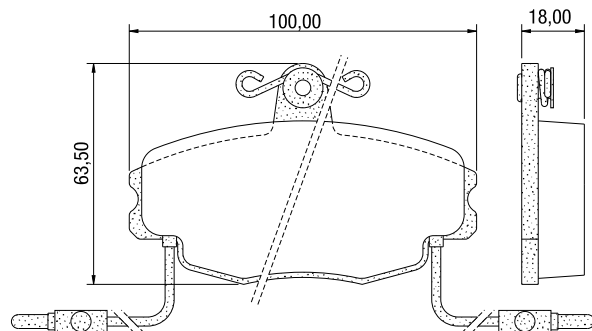
PD/300

4 pastilhas iguais



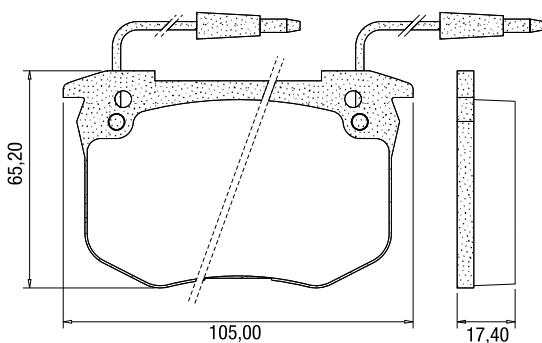
PD/305-A

2 pastilhas sem sensor
1 pastilha esquerda com sensor elétrico
1 pastilha direita com sensor elétrico



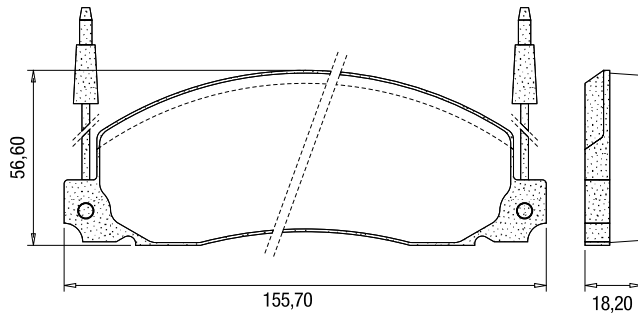
PD/312-A

2 pastilhas sem sensor
2 pastilhas com sensor elétrico



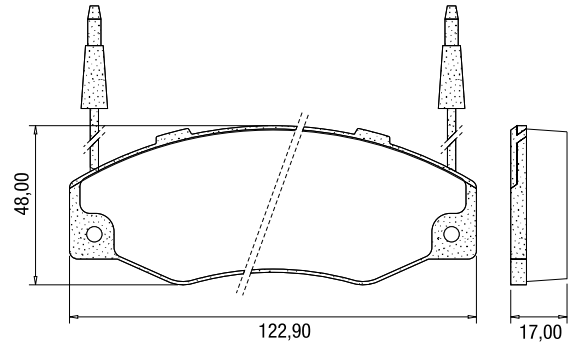
PD/318-A

2 pastilhas sem sensor
2 pastilhas com sensor elétrico



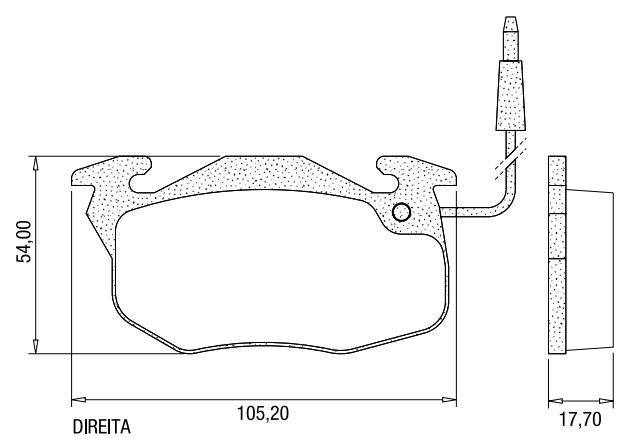
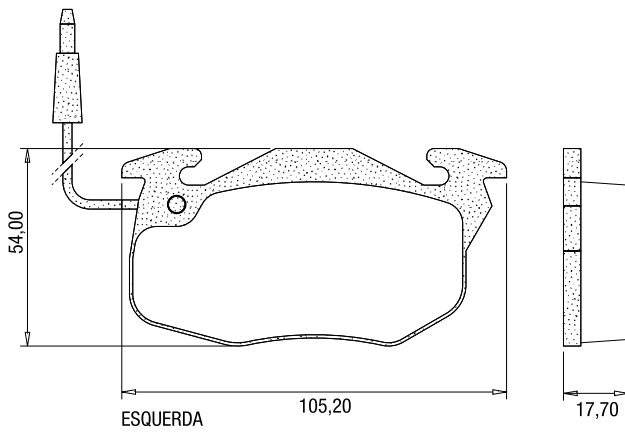
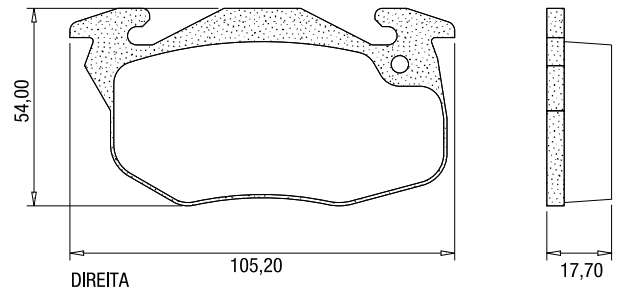
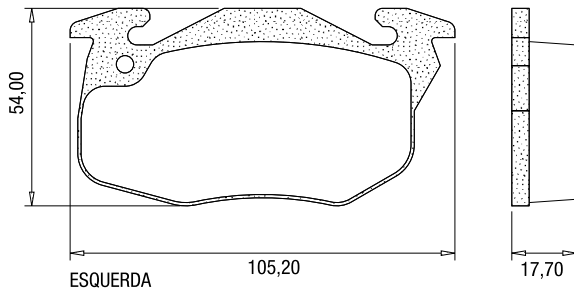
PD/321-A

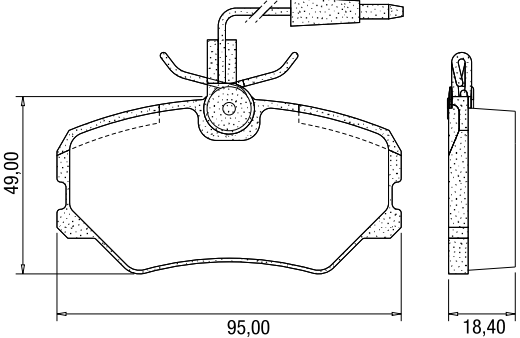
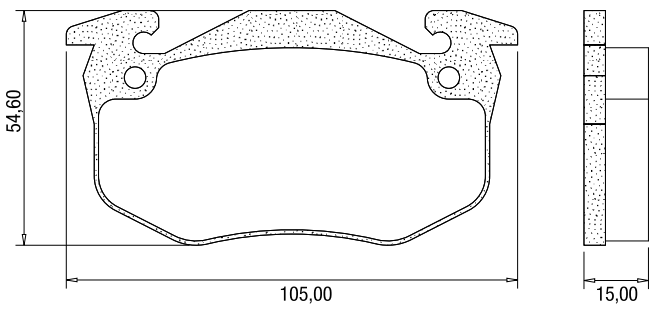
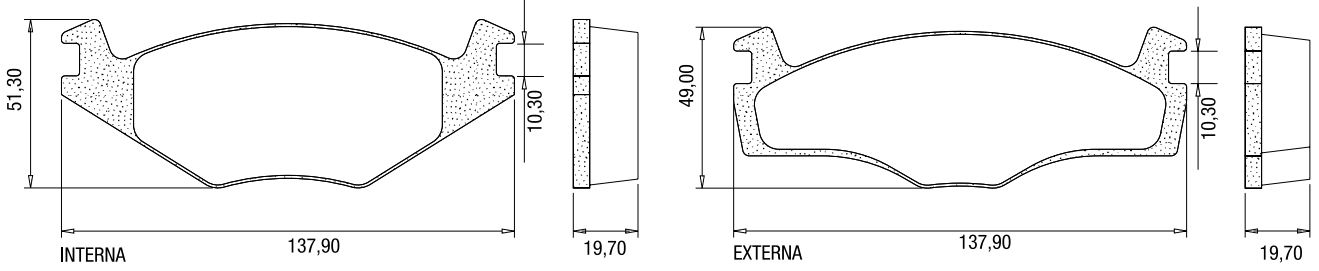
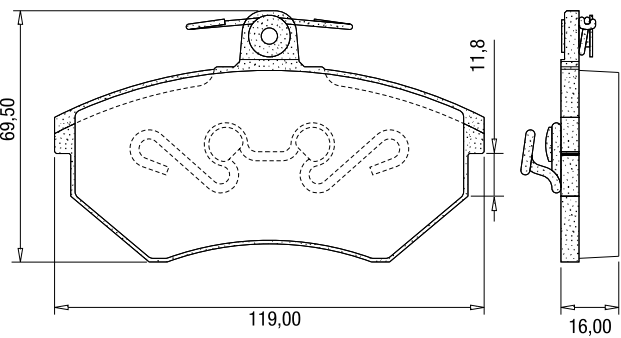
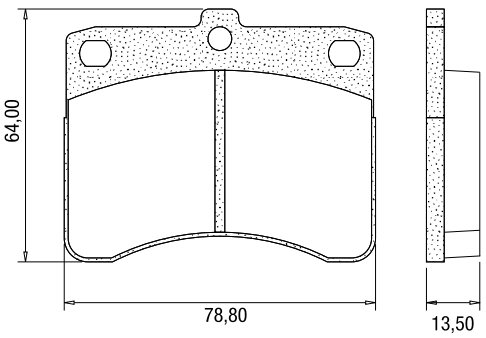
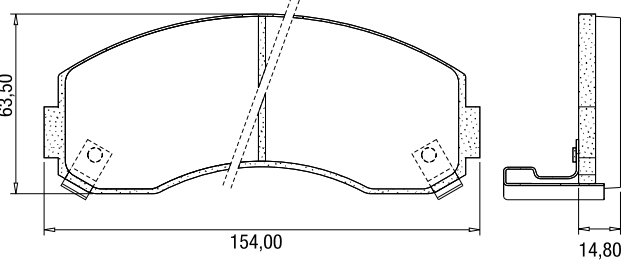
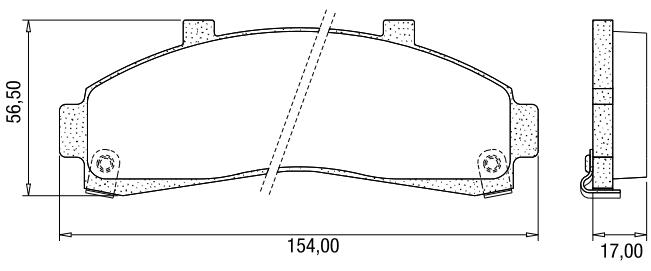
2 pastilhas sem sensor
2 pastilhas com sensor



PD/322-A

2 pastilhas sem sensor
2 pastilhas com sensor elétrico



<p>PD/326-A ————— 2 pastilhas sem sensor 2 pastilhas com sensor elétrico</p> 	<p>PD/327 ————— 4 pastilhas iguais</p> 
<p>PD/328 ————— 2 pastilhas internas 2 pastilhas externas</p> 	
<p>PD/329 ————— 2 pastilhas sem mola 2 pastilhas com mola</p> 	<p>PD/330 ————— 4 pastilhas iguais</p> 
<p>PD/331 ————— 2 pastilhas sem sensor 2 pastilhas com sensor acústico</p> 	<p>PD/332 ————— 2 pastilhas sem sensor 2 pastilhas com sensor acústico</p> 

PD/333 ————— 2 pastilhas sem sensor
2 pastilhas com sensor acústico

PD/334 ————— 4 pastilhas iguais

PD/335-A ————— 2 pastilhas sem sensor
2 pastilhas com sensor elétrico

PD/336 ————— 2 pastilhas sem mola
2 pastilhas com mola

PD/338 ————— 4 pastilhas iguais

PD/338-A ————— 2 pastilhas sem sensor
2 pastilhas com sensor elétrico

PD/339-A ————— 2 pastilhas sem sensor
2 pastilhas com sensor elétrico

PD/340-B ————— 1 pastilha interna com mola e elétrico
1 pastilha interna com mola
2 pastilhas externas sem mola

PD/341 ————— 2 pastilhas sem mola
2 pastilhas com mola

PD/343 ————— 2 pastilhas sem sensor
2 pastilhas com sensor acústico

PD/344 ————— 4 pastilhas iguais

PD/346 ————— 4 pastilhas iguais

PD/347 ————— 4 pastilhas iguais

Empty technical drawing area.

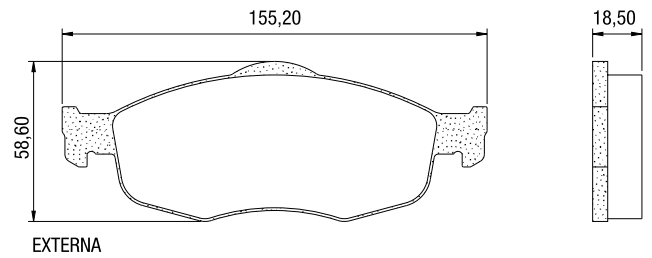
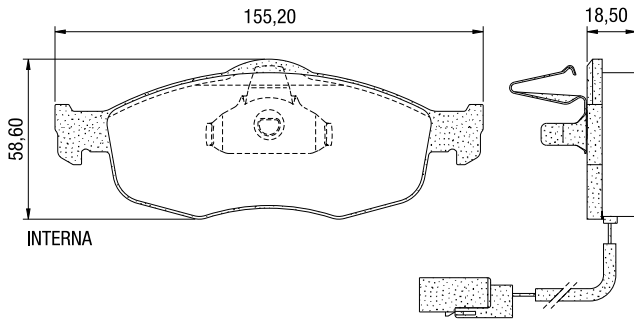
PD/352 ————— 2 pastilhas sem mola
2 pastilhas com mola

INTERNA

EXTERNA

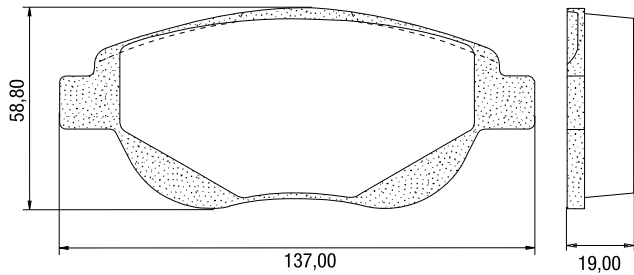
PD/352-A

2 pastilhas sem mola
2 pastilhas com mola e com sensor elétrico



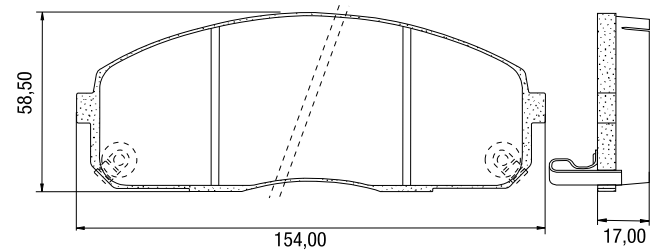
PD/353

4 pastilhas iguais



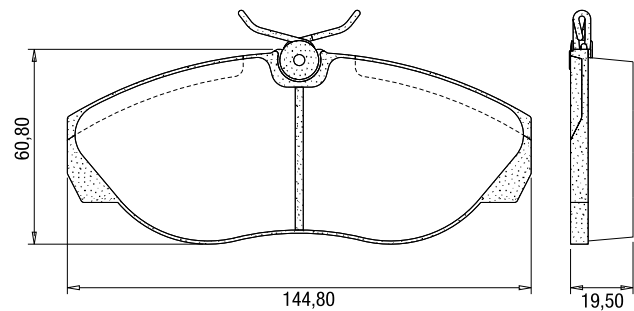
PD/354

2 pastilhas sem sensor
1 pastilha esquerda com sensor acústico
1 pastilha direita com sensor acústico



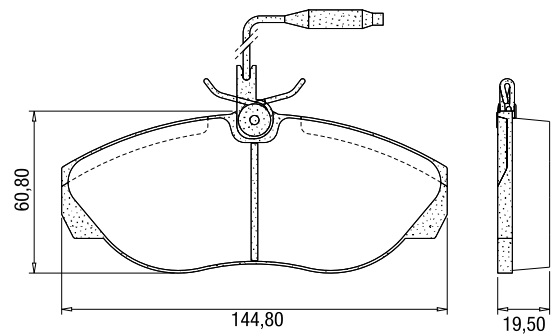
PD/358

4 pastilhas iguais



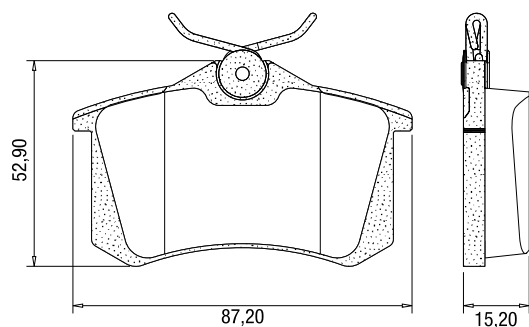
PD/358-A

2 pastilhas sem sensor
2 pastilhas com sensor elétrico



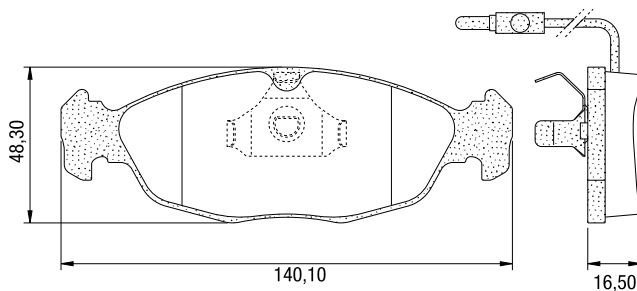
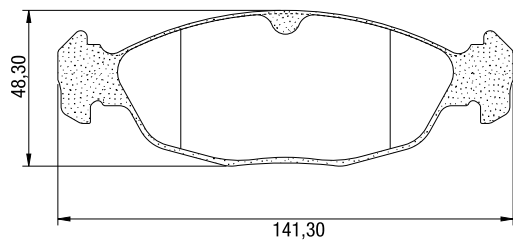
PD/362

4 pastilhas iguais



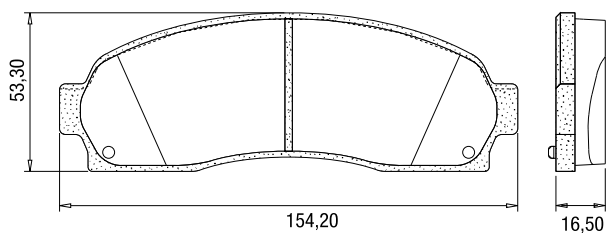
PD/364-A

2 pastilhas sem mola
2 pastilhas com mola e com sensor elétrico



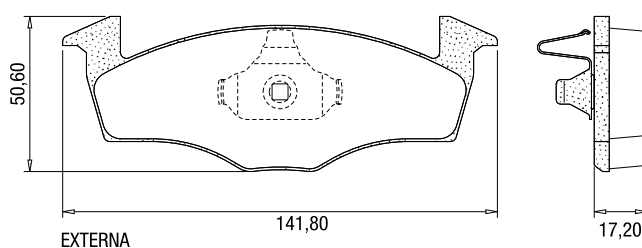
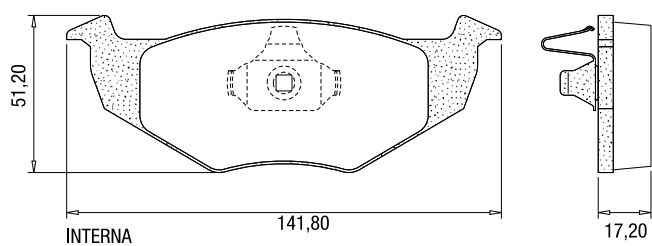
PD/365

4 pastilhas iguais



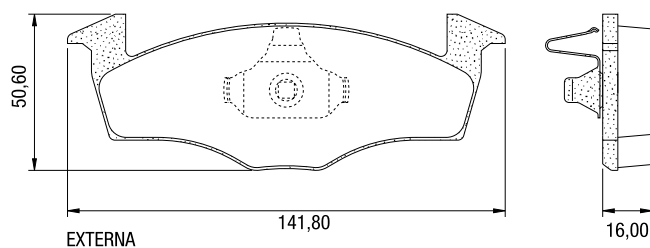
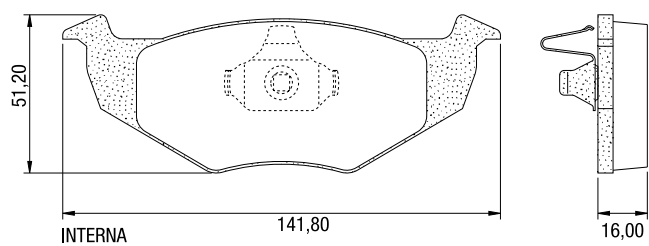
PD/367

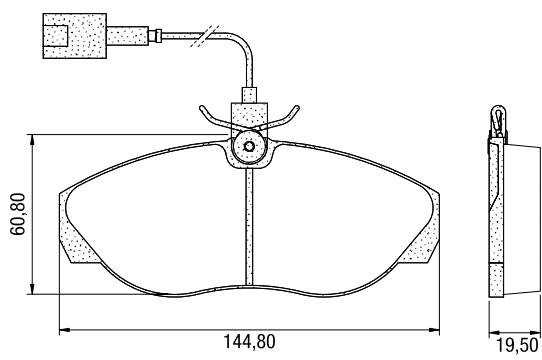
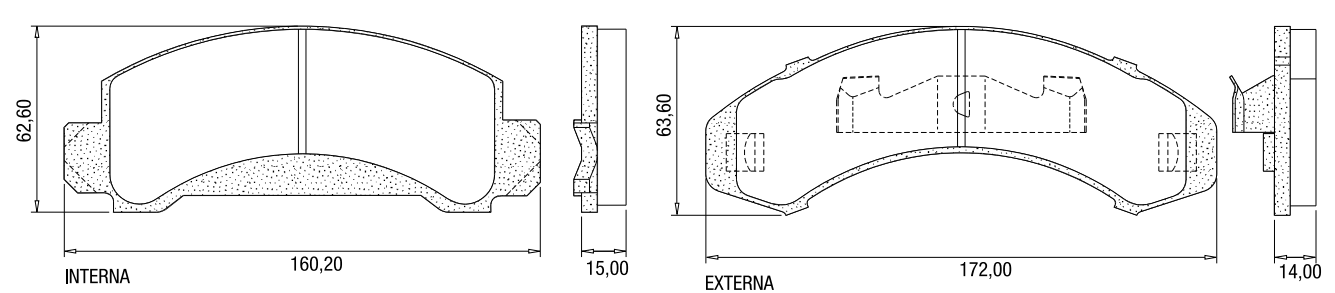
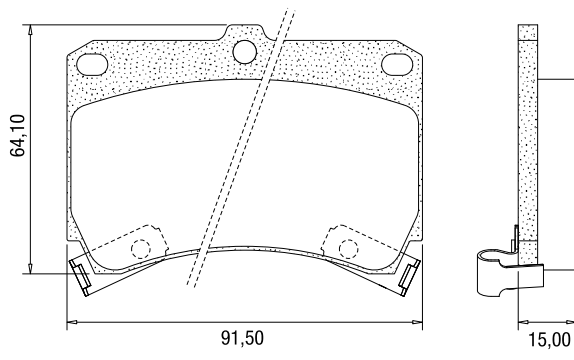
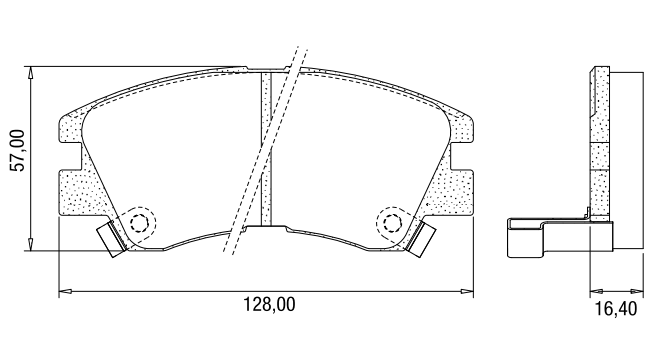
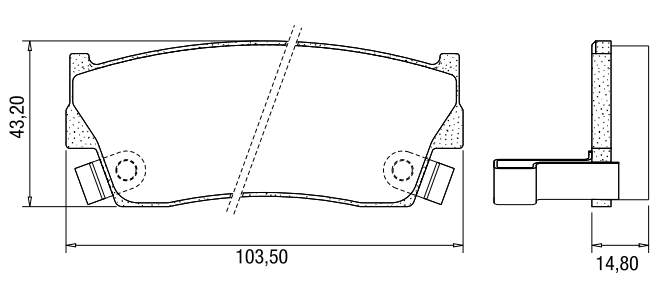
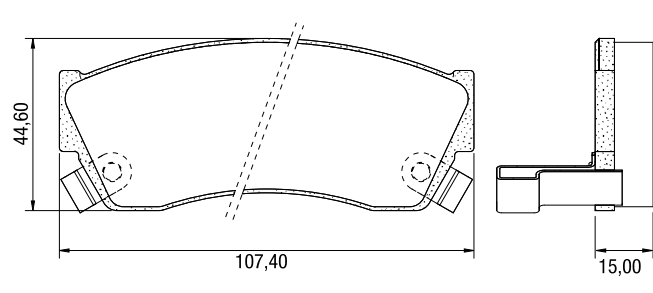
2 pastilhas internas com mola
2 pastilhas externas com mola



PD/368

2 pastilhas internas com mola
2 pastilhas externas com mola



<p>PD/369-B</p> <p>3 pastilhas sem sensor 1 pastilha com sensor elétrico</p> 	
<p>PD/374</p> <p>2 pastilhas internas sem mola 2 pastilhas externas com mola</p> 	
<p>PD/376</p> <p>2 pastilhas sem sensor 2 pastilhas com sensor acústico</p> 	<p>PD/377</p> <p>2 pastilhas sem sensor 2 pastilhas com sensor elétrico</p> 
<p>PD/378</p> <p>2 pastilhas sem sensor 2 pastilhas com sensor acústico</p> 	<p>PD/379</p> <p>2 pastilhas sem sensor 2 pastilhas com sensor acústico</p> 

PD/380 ————— 2 pastilhas sem sensor
2 pastilhas com sensor acústico

47,50
114,90
16,00

PD/382 ————— 2 pastilhas sem sensor
2 pastilhas com sensor acústico

49,00
127,50
14,80

PD/383 ————— 2 pastilhas sem sensor
2 pastilhas com sensor acústico

58,60
149,70
15,70

PD/384 ————— 2 pastilhas sem mola
2 pastilhas com mola

156,30
74,00
19,50

PD/384-A ————— 2 pastilhas sem mola
2 pastilhas com mola e com sensor elétrico

156,30
74,00
19,50

PD/385 ————— 2 pastilhas sem mola
2 pastilhas com mola

57,50
151,50
17,50

PD/386 ————— 2 pastilhas sem sensor
2 pastilhas com sensor acústico

48,10
127,80
14,80

PD/387 ————— 2 pastilhas sem sensor
2 pastilhas com sensor acústico

53,00
133,20
17,50

PD/388 ————— 2 pastilhas sem sensor
2 pastilhas com sensor acústico

PD/389 ————— 4 pastilhas iguais

PD/390 ————— 2 pastilhas sem mola
2 pastilhas com mola

PD/391-A ————— 2 pastilhas sem sensor
2 pastilhas com sensor elétrico

PD/392 ————— 2 pastilhas internas com mola
2 pastilhas externas com mola

INTERNA

EXTERNA

PD/397 ————— 2 pastilhas sem sensor
1 pastilha esquerda com sensor acústico
1 pastilha direita com sensor acústico

PD/398 ————— 2 pastilhas sem sensor
2 pastilhas com sensor elétrico

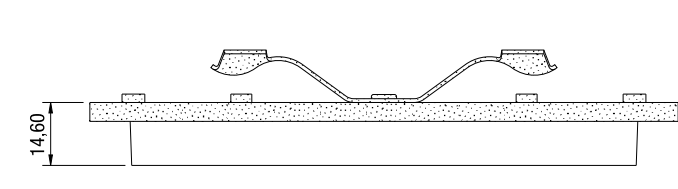
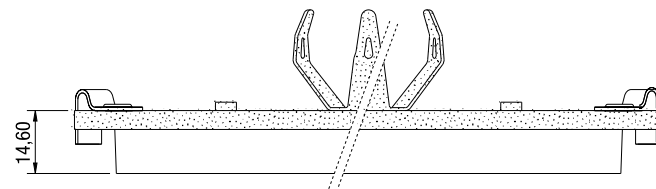
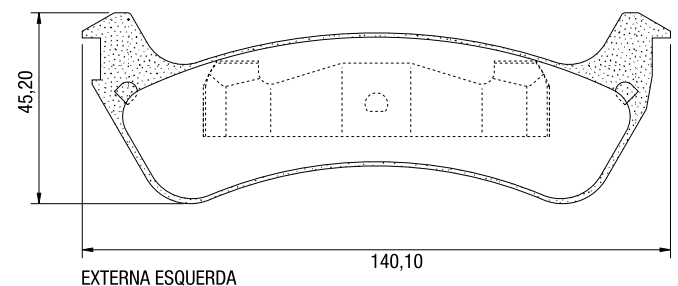
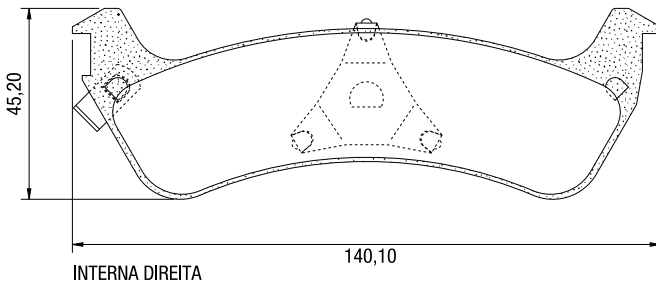
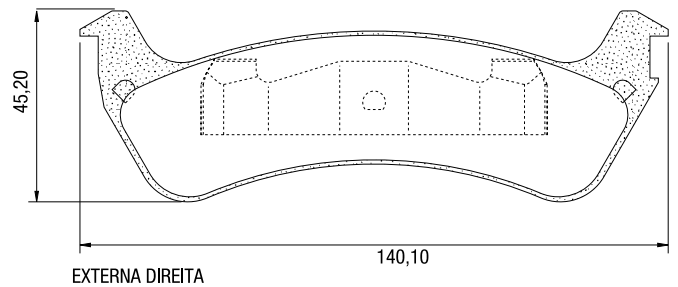
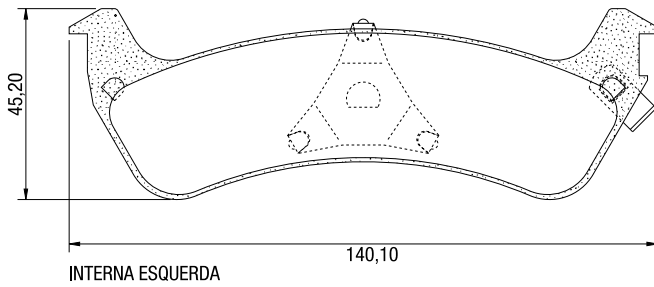
PD/403-B ————— 2 pastilhas externas sem mola,
1 pastilha interna com mola
1 pastilha interna com mola e com sensor elétrico

PD/404 ————— 2 pastilhas sem sensor
1 pastilha esquerda com sensor acústico
1 pastilha direita com sensor acústico

PD/405-E ————— 4 pastilhas com sensor elétrico

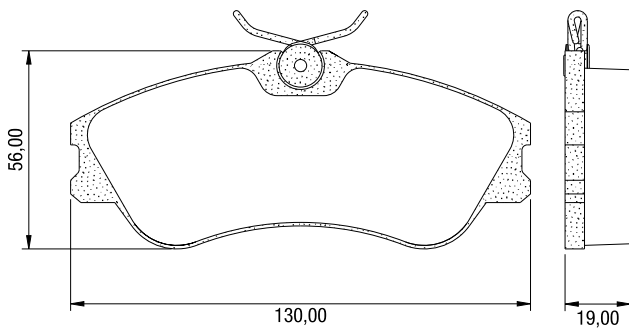
PD/410

2 pastilhas internas com mola e com sensor
2 pastilhas externas com mola



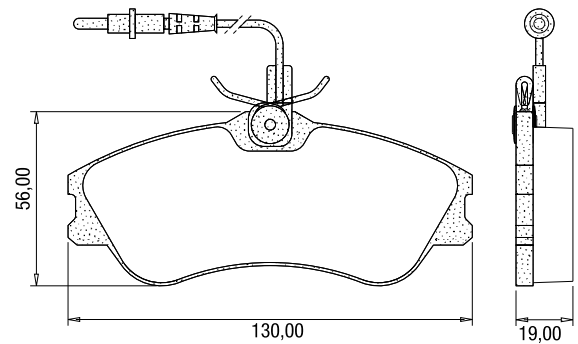
PD/411

4 pastilhas iguais



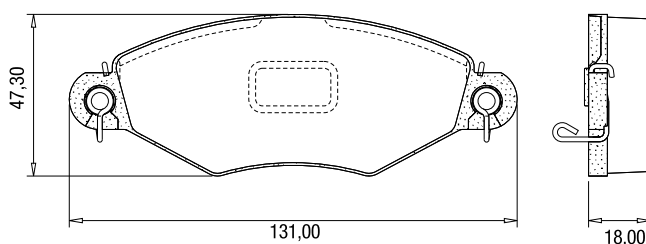
PD/411-E

4 pastilhas com sensor elétrico



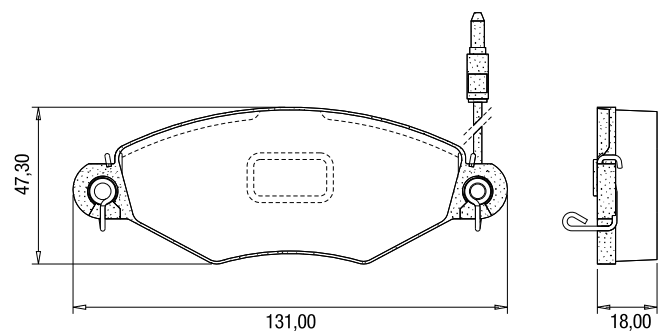
PD/412

4 pastilhas iguais



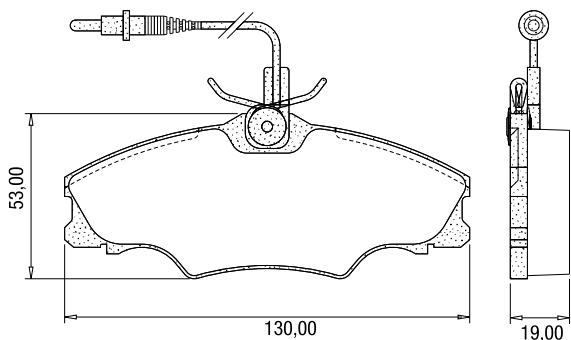
PD/412-B

3 pastilhas sem sensor
1 pastilha com sensor elétrico



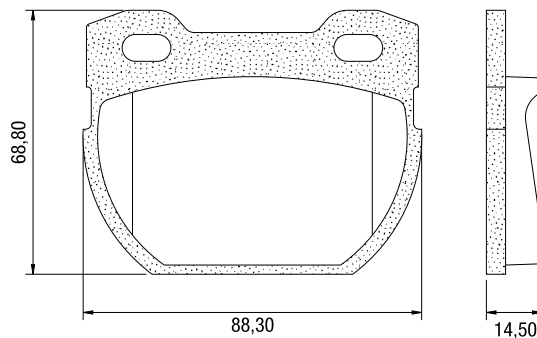
PD/414-E

4 pastilhas com sensor elétrico



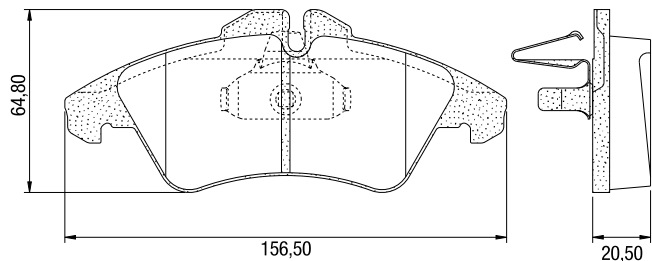
PD/416

4 pastilhas iguais



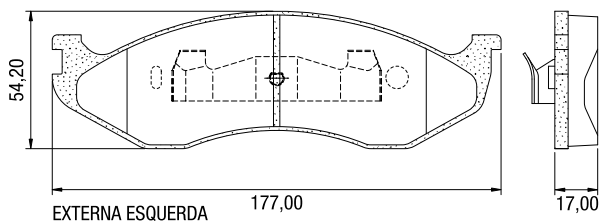
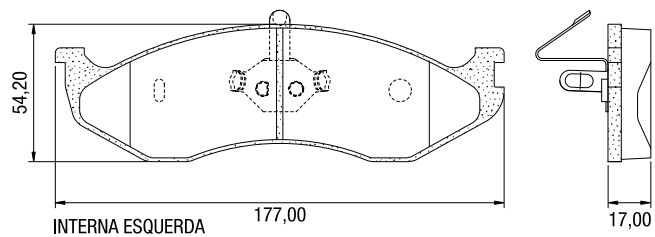
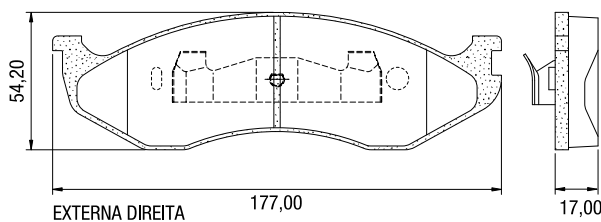
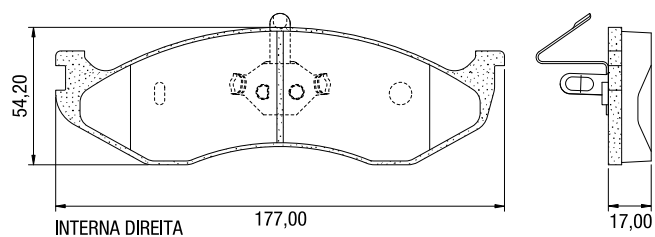
PD/417

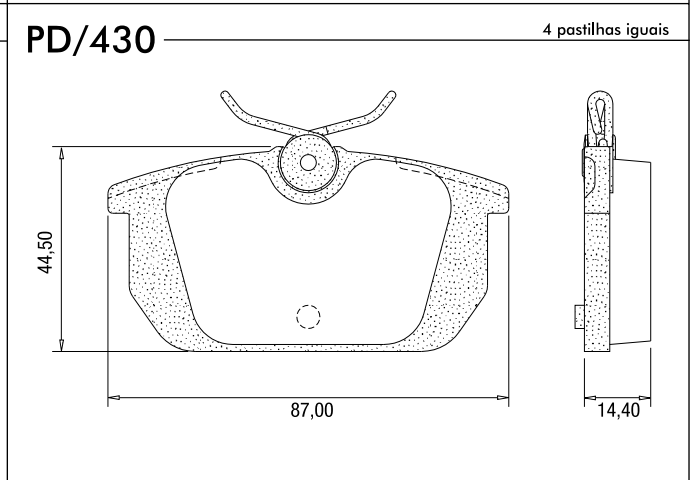
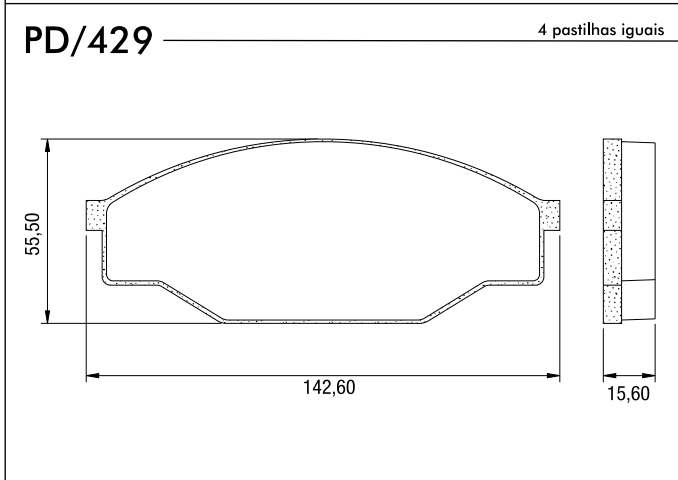
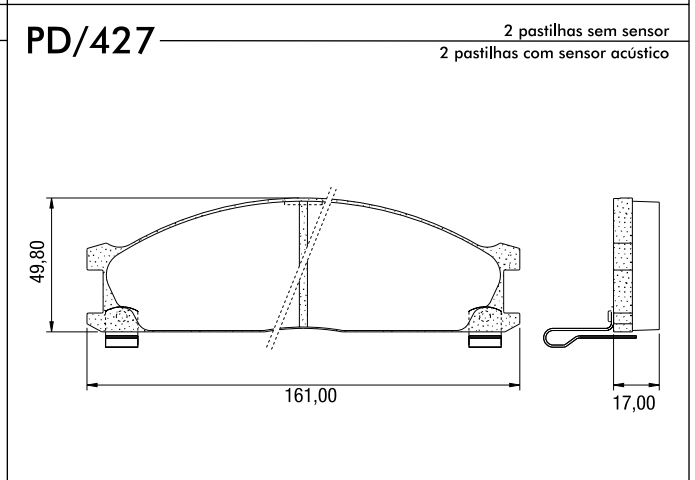
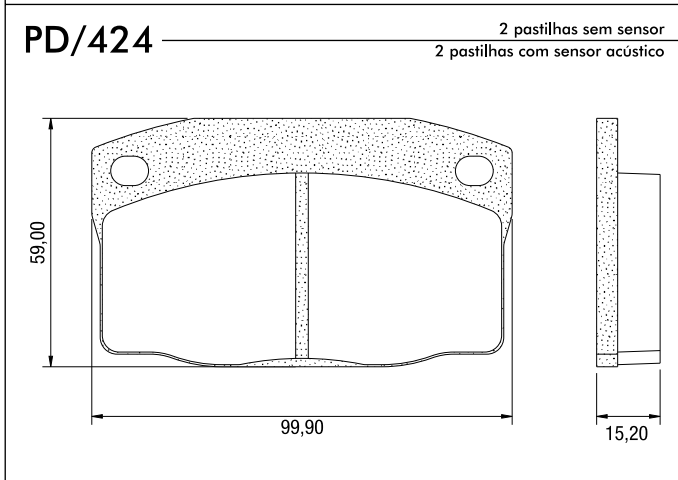
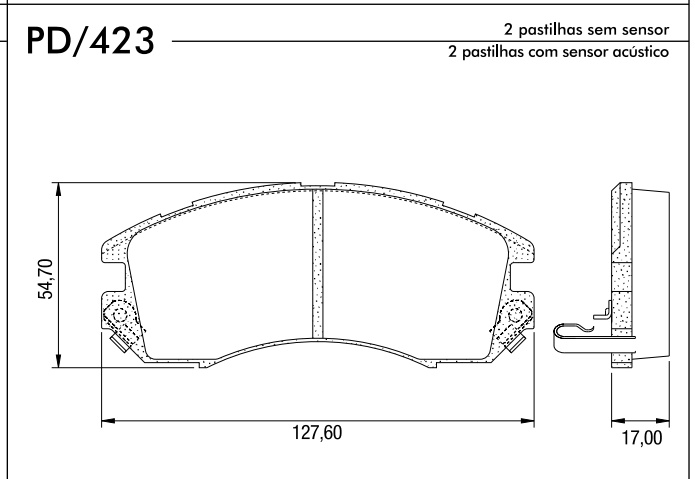
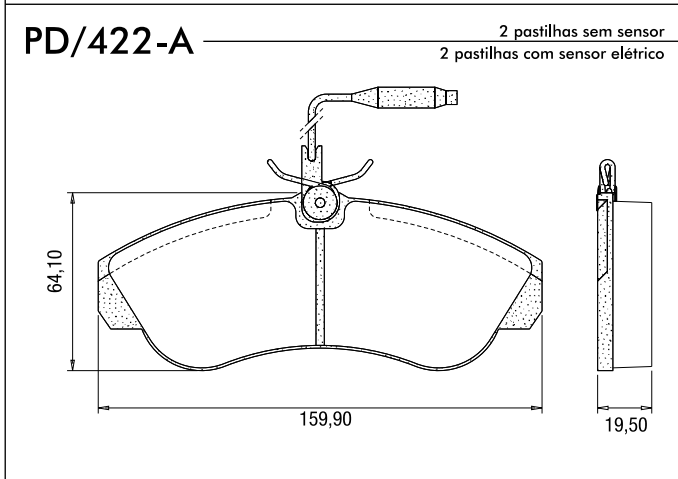
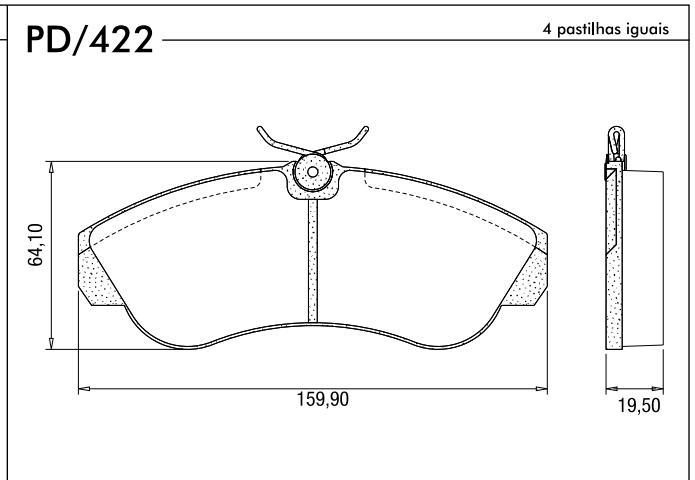
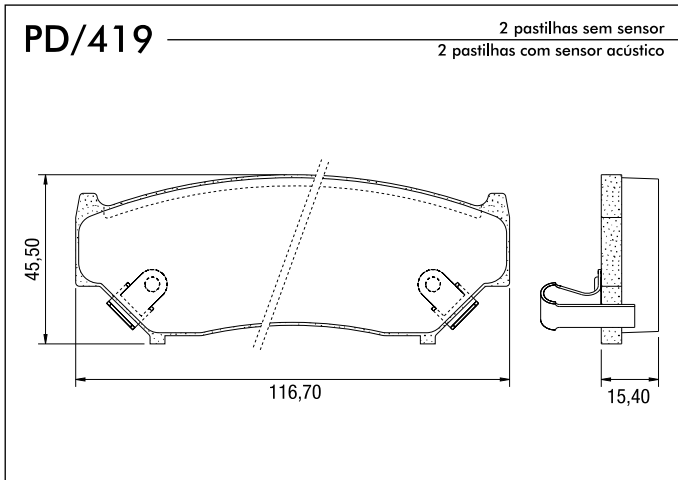
2 pastilhas sem mola
2 pastilhas com mola

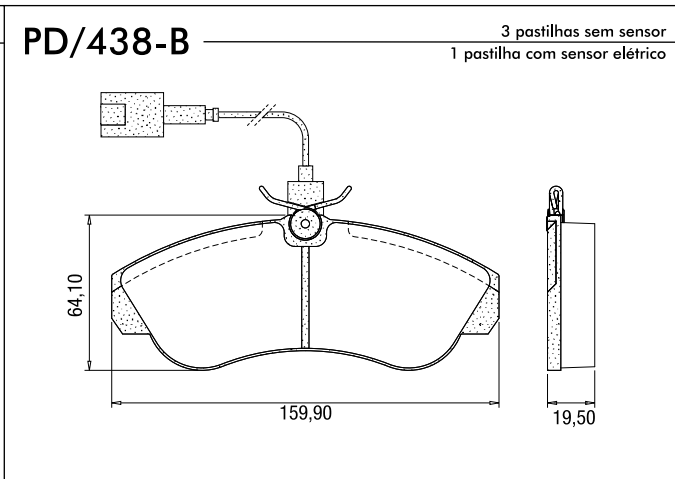
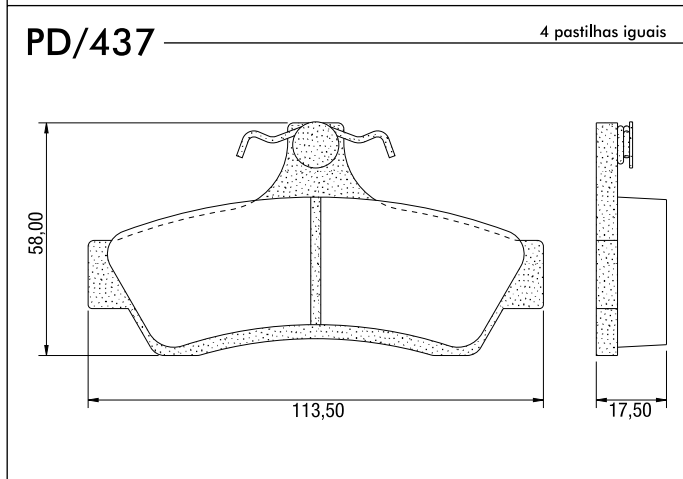
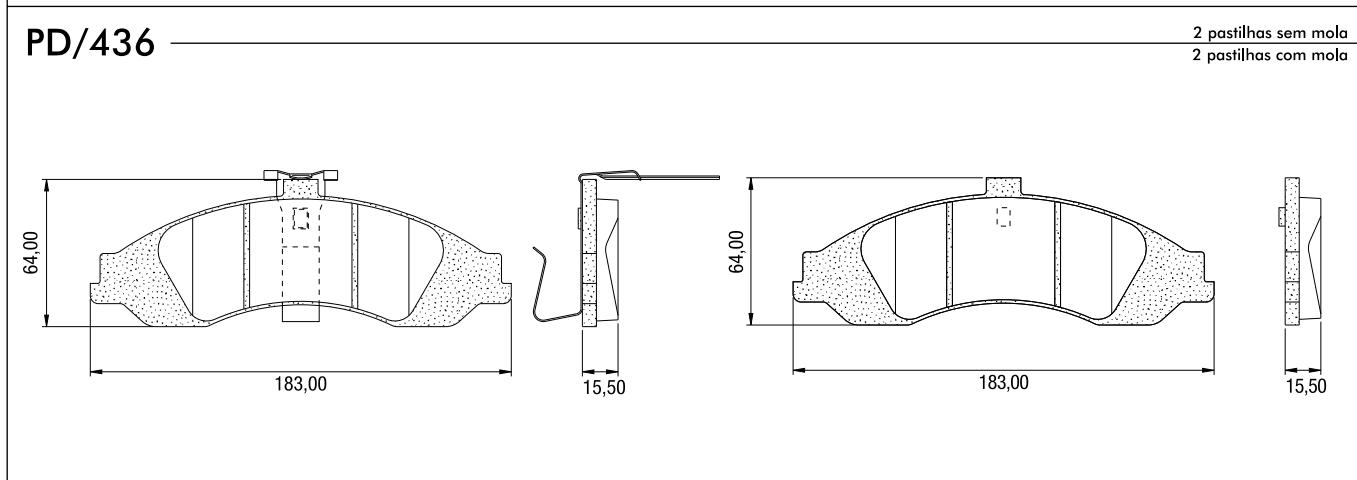
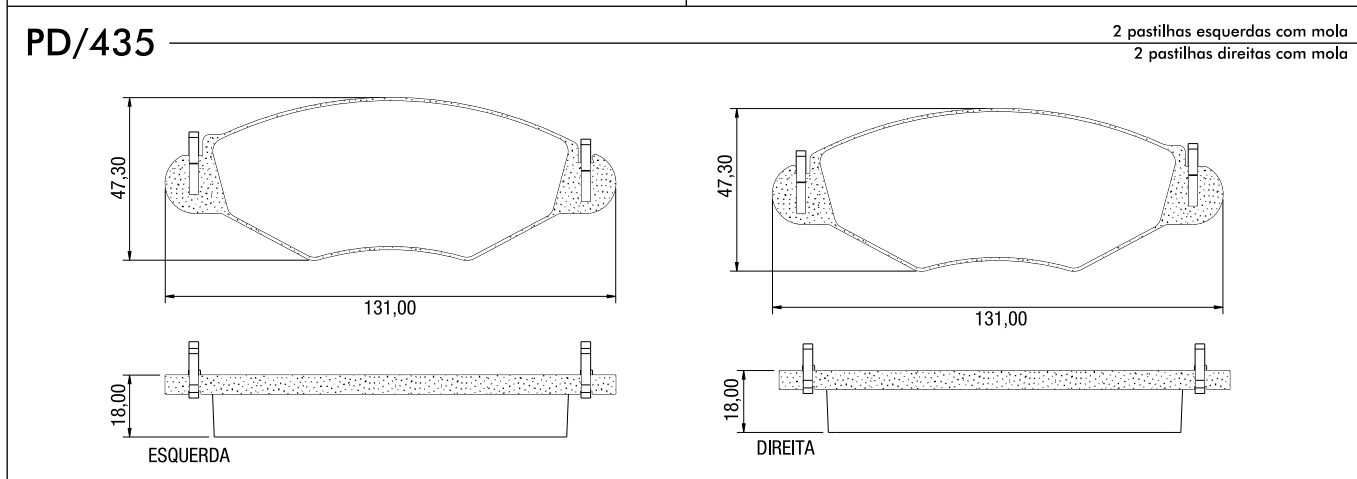
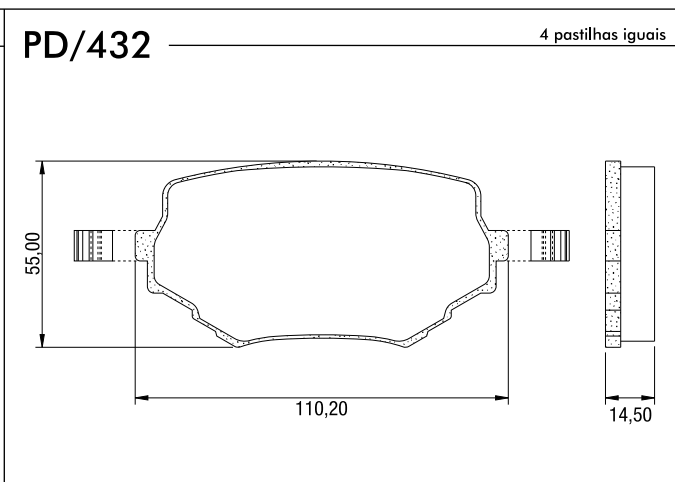
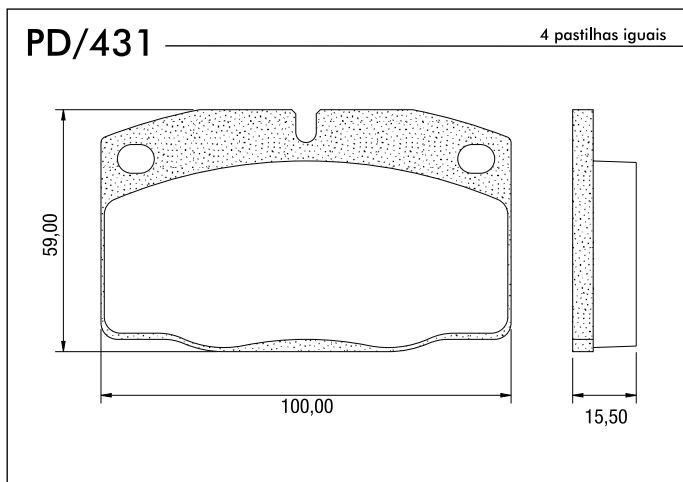


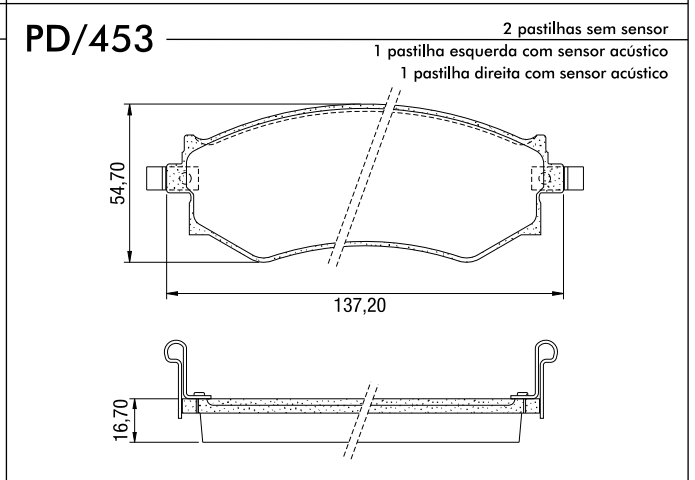
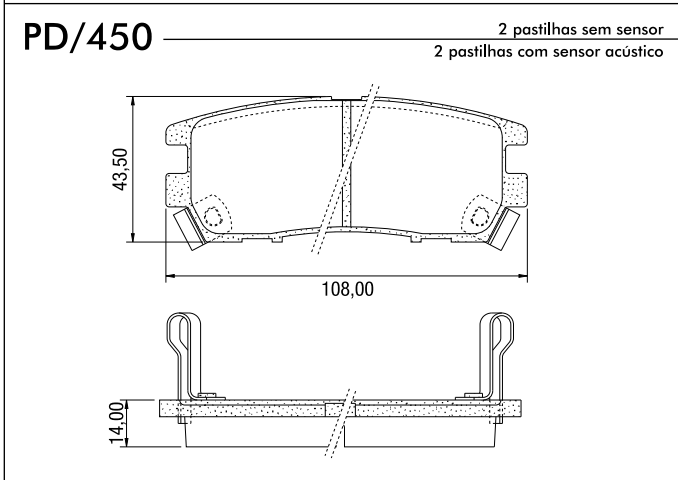
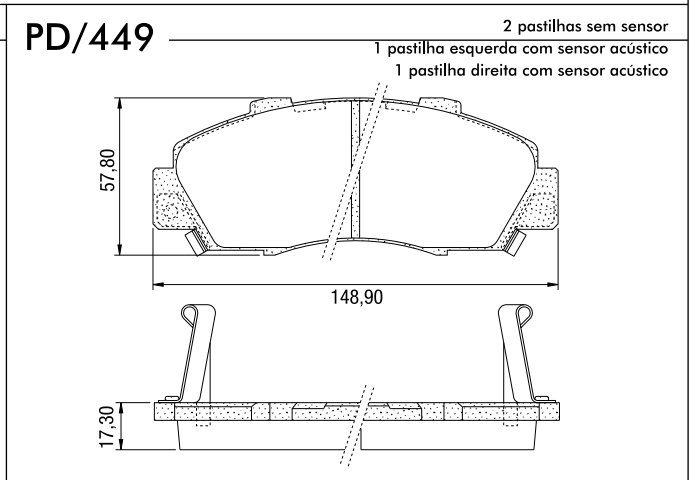
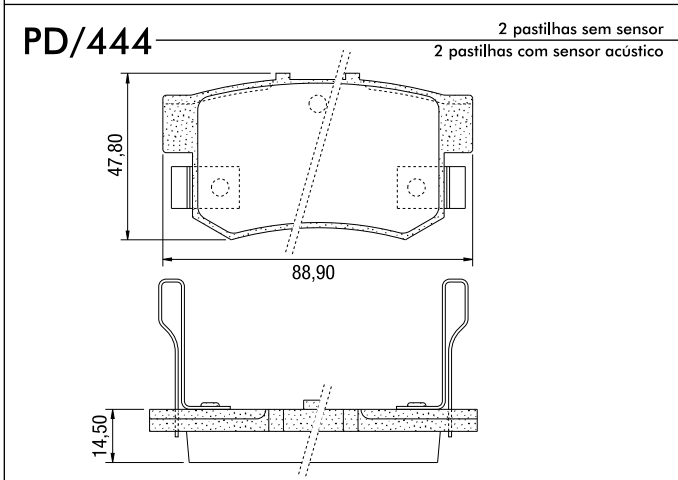
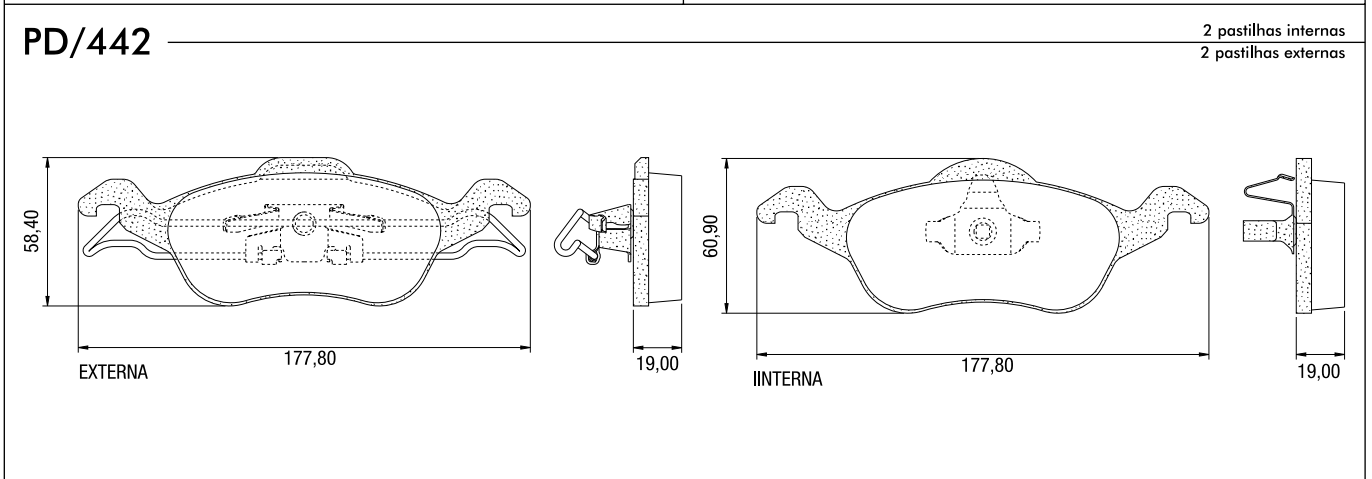
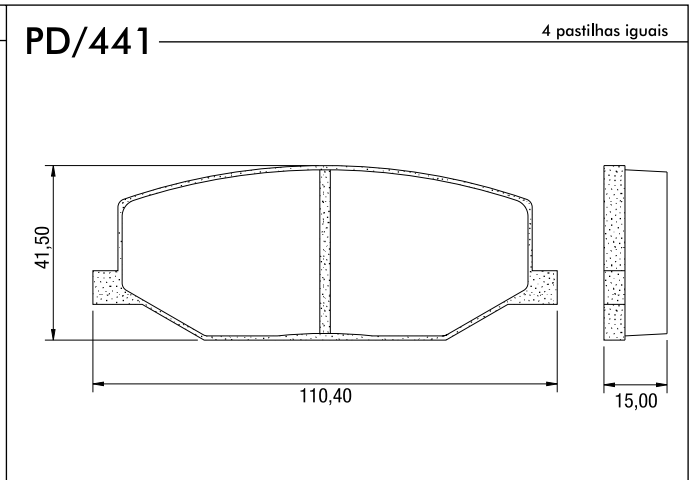
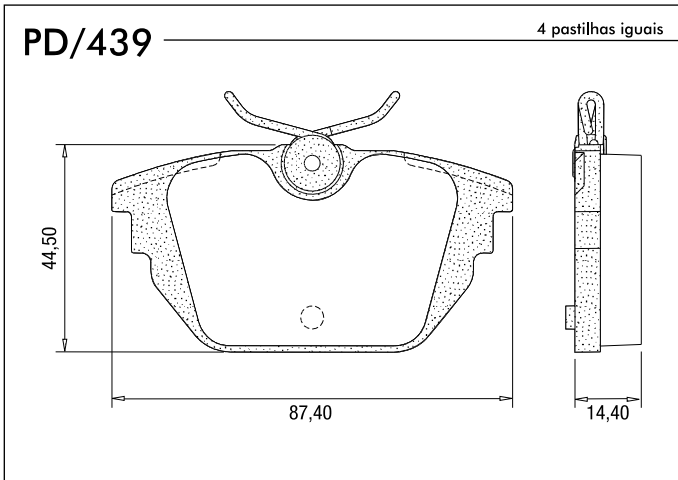
PD/418

2 pastilhas internas com mola
2 pastilhas externas com mola



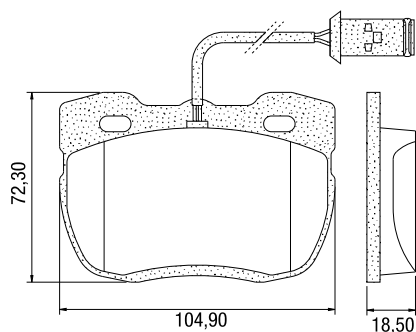






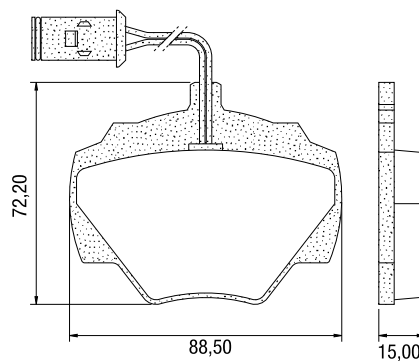
PD/458-B

3 pastilhas sem sensor
1 pastilha com sensor elétrico



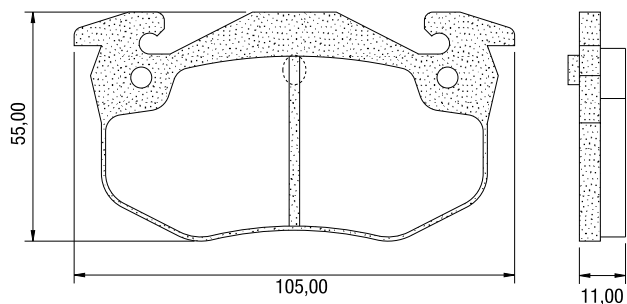
PD/464-B

3 pastilhas sem sensor
1 pastilha com sensor elétrico



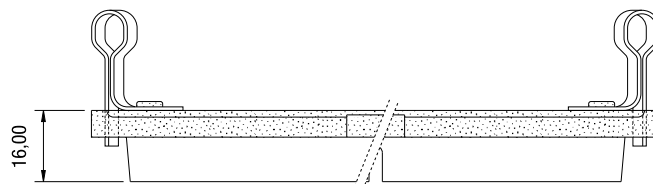
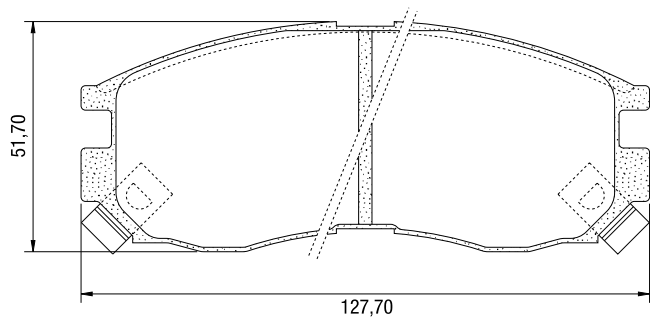
PD/465

4 pastilhas iguais



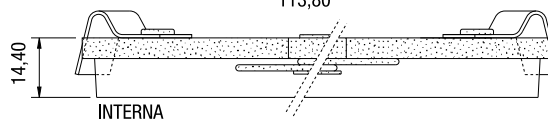
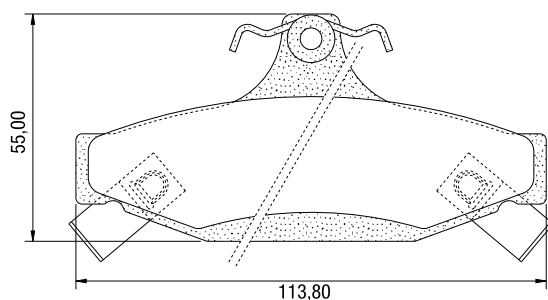
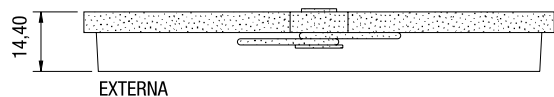
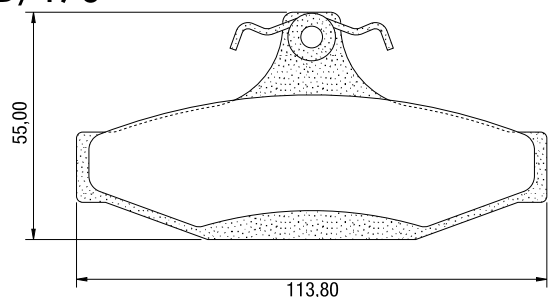
PD/469

2 pastilhas sem sensor
2 pastilhas com sensor acústico



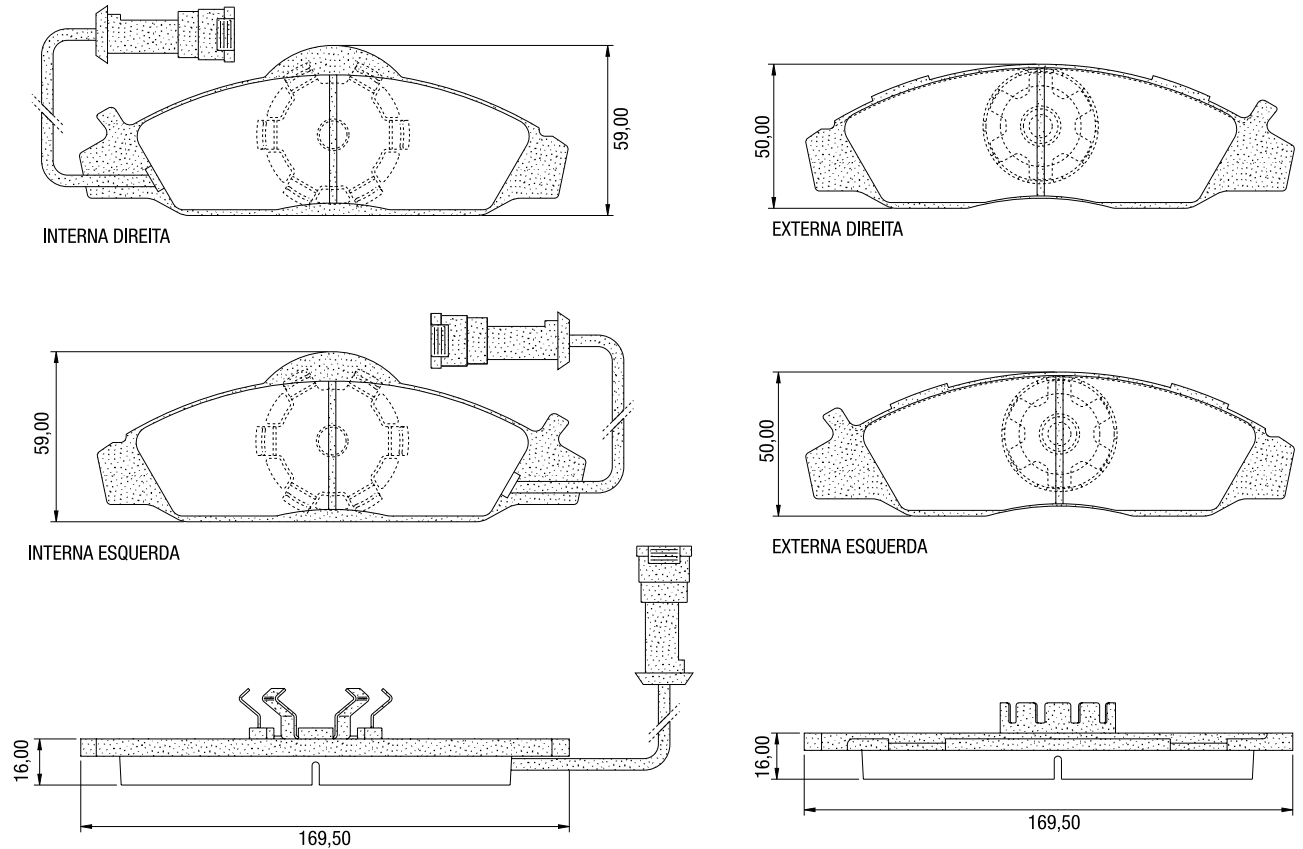
PD/470

2 pastilhas sem mola
2 pastilhas com mola



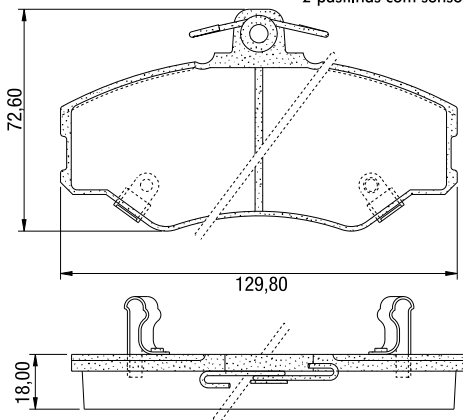
PD/471-A

2 pastilhas externas com mola
2 pastilhas internas com mola e sensor elétrico



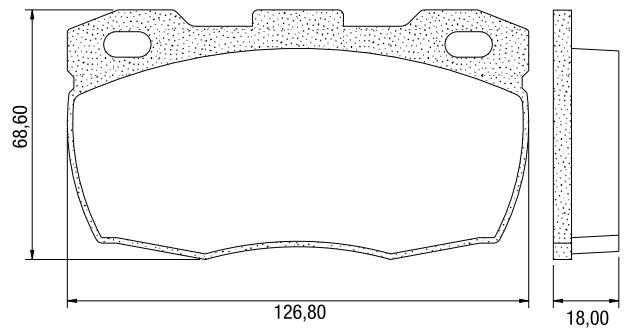
PD/473

2 pastilhas sem sensor
2 pastilhas com sensor acústico



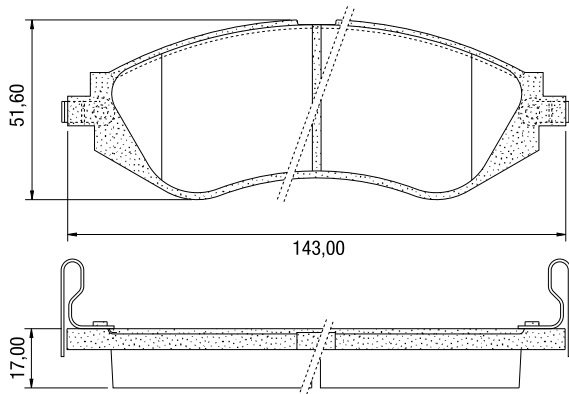
PD/474

4 pastilhas iguais



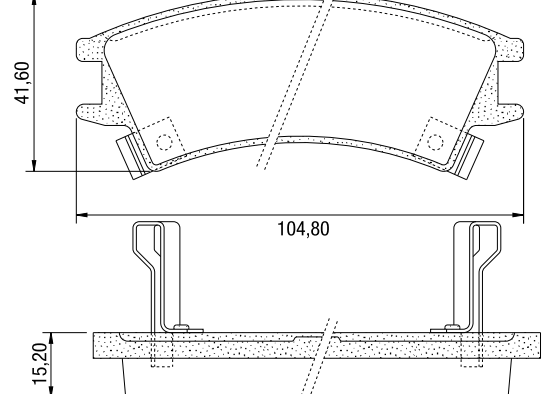
PD/475

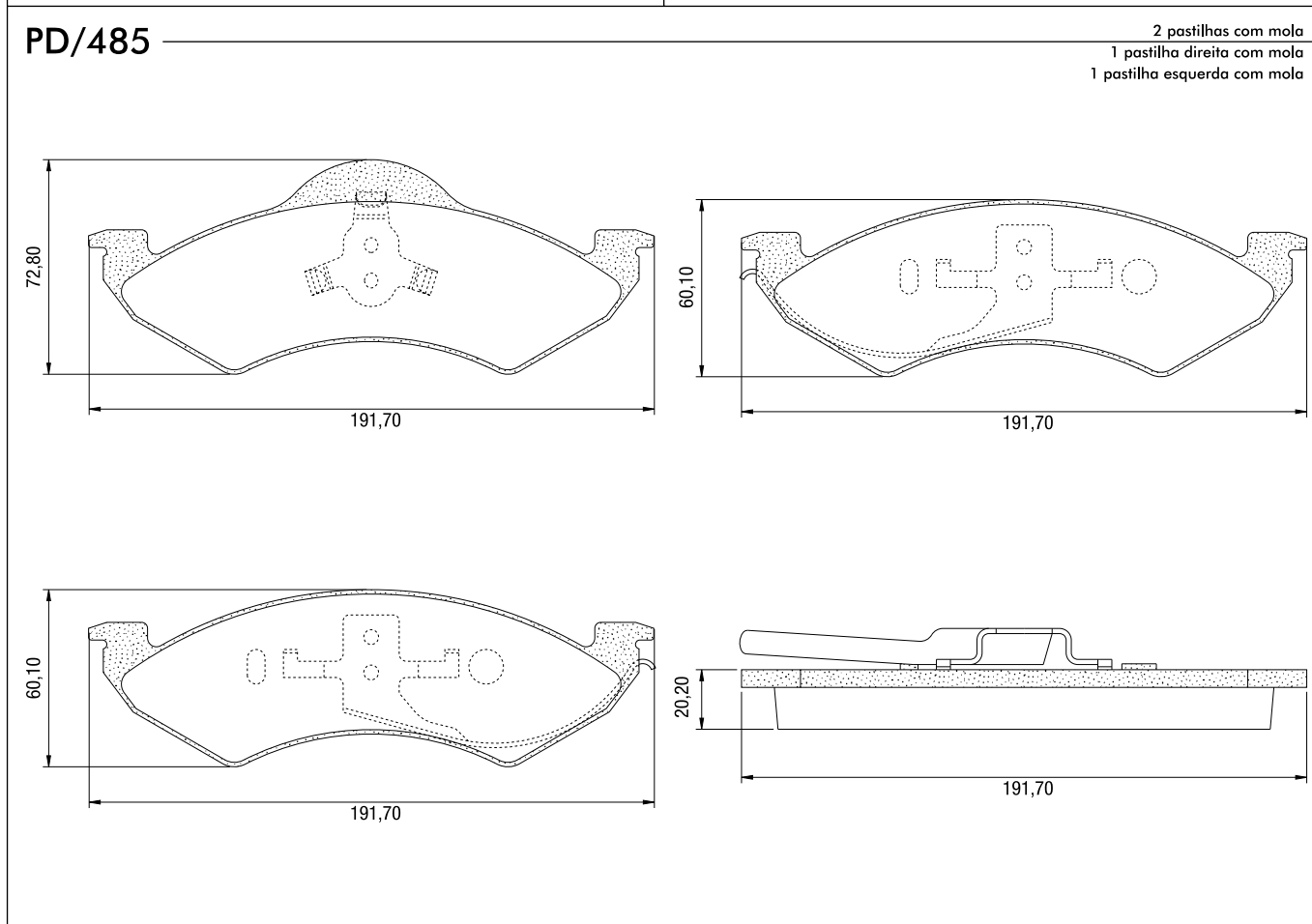
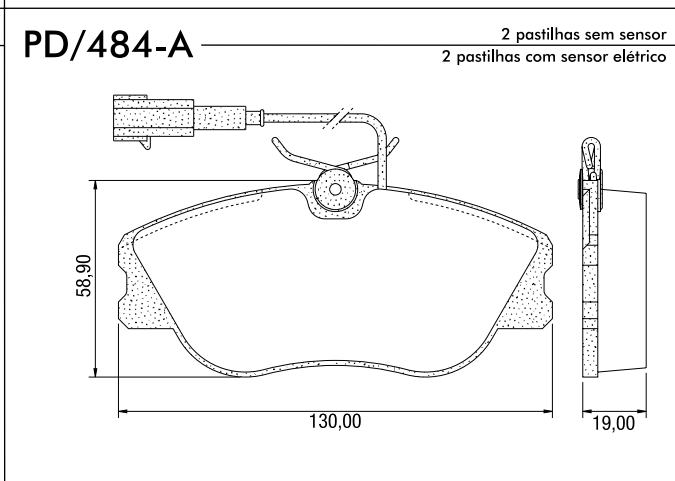
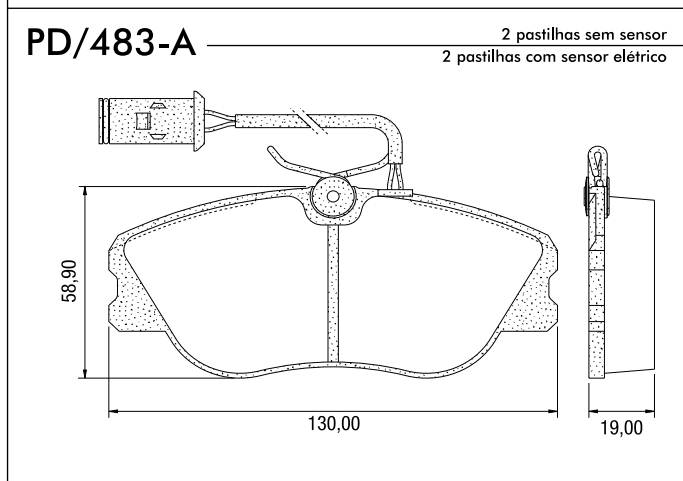
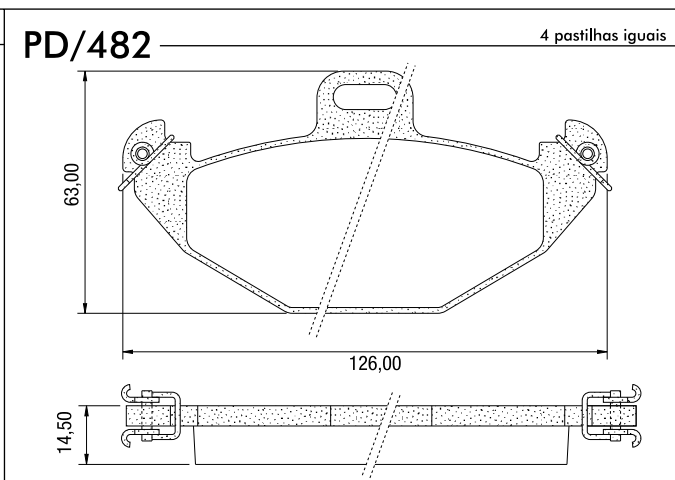
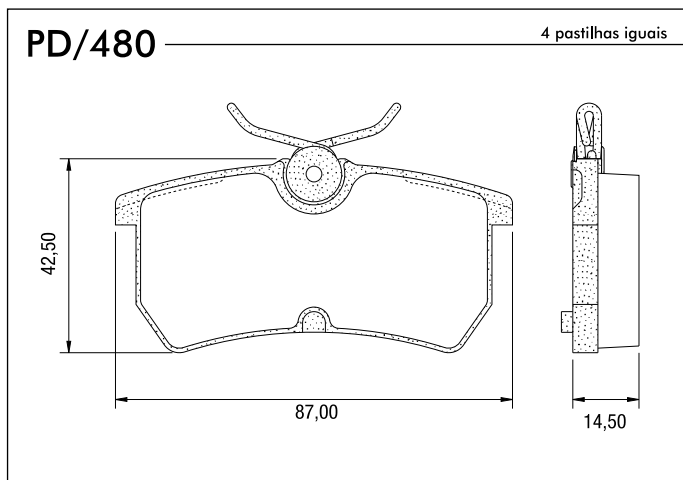
2 pastilhas sem sensor
2 pastilhas com sensor acústico

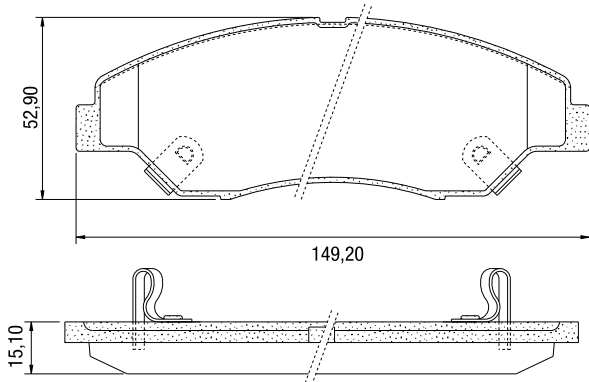
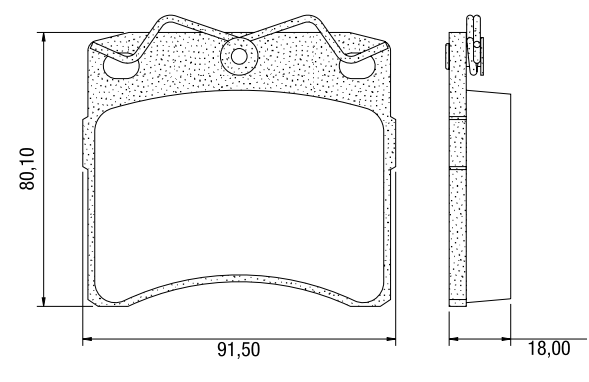
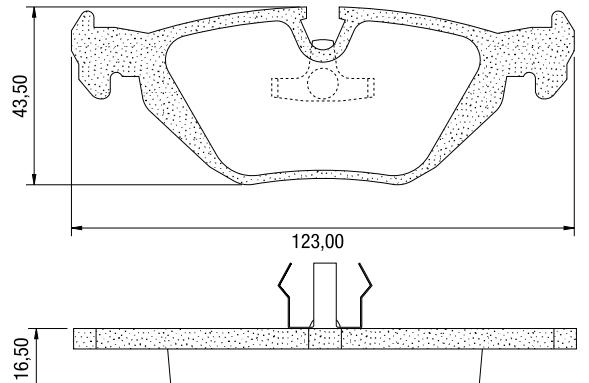
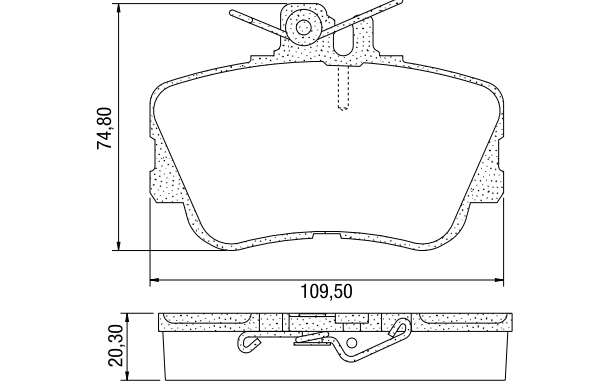
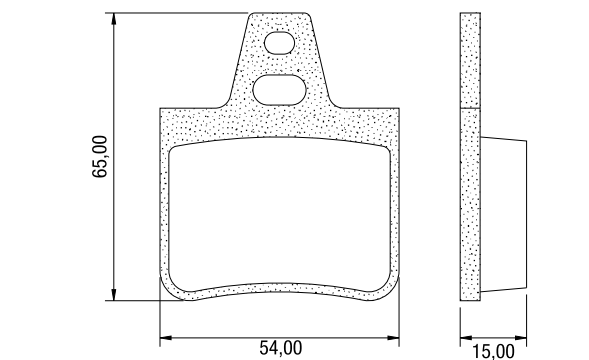
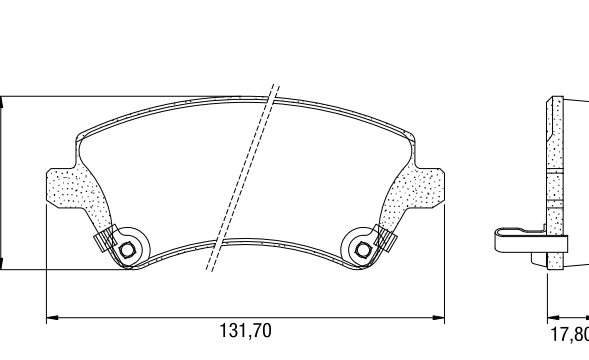
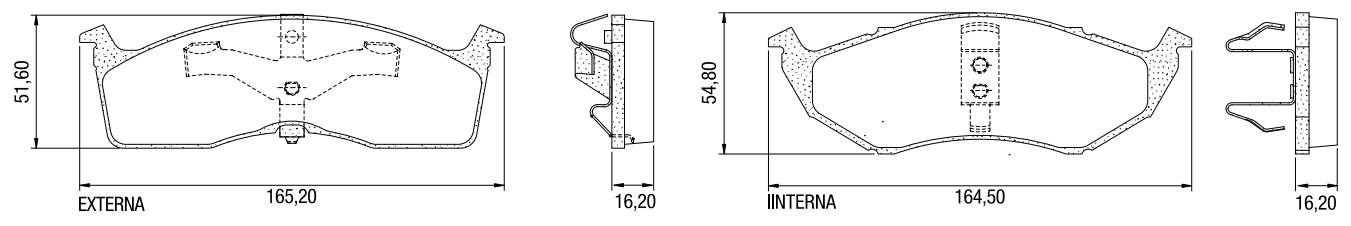


PD/478

2 pastilhas sem sensor
2 pastilhas com sensor acústico





<p>PD/486 ————— 2 pastilhas sem sensor 2 pastilhas com sensor acústico</p> 	<p>PD/487 ————— 4 pastilhas iguais</p> 
<p>PD/488 ————— 2 pastilhas sem mola 2 pastilhas com mola</p> 	<p>PD/489 ————— 4 pastilhas iguais</p> 
<p>PD/490 ————— 4 pastilhas iguais</p> 	<p>PD/491 ————— 2 pastilhas sem sensor 2 pastilhas com sensor acústico</p> 
<p>PD/492 ————— 2 pastilhas internas com mola 2 pastilhas externas com mola</p> 	

PD/493 ————— 2 pastilhas sem sensor
2 pastilhas com sensor acústico

57,30
136,30
16,30

PD/494 ————— 2 pastilhas sem mola
2 pastilhas com mola

52,50
150,10
17,80
151,30
17,80
INTERNA
EXTERNA

PD/497 ————— 2 pastilhas sem mola
2 pastilhas com mola

61,00
150,10
18,00
58,20
151,30
18,00
INTERNA
EXTERNA

PD/498-A ————— 2 pastilhas sem sensor
2 pastilhas com sensor acústico

65,60
140,50
18,30

PD/500 ————— 3 pastilhas sem sensor
1 pastilha com sensor acústico

56,40
151,00
14,80

PD/501 4 pastilhas iguais

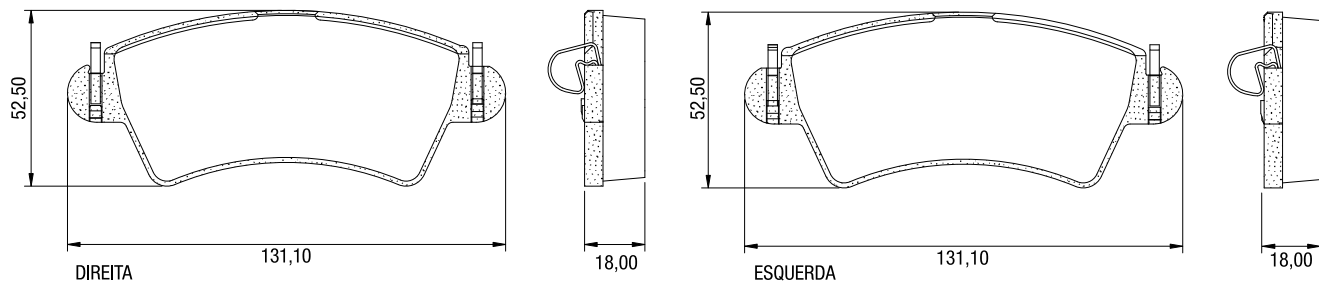
PD/502 2 pastilhas internas com mola
2 pastilhas externas com mola e com sensor

PD/503 2 pastilhas sem mola e sem sensor
2 pastilhas com mola e com sensor acústico

PD/505 4 pastilhas iguais

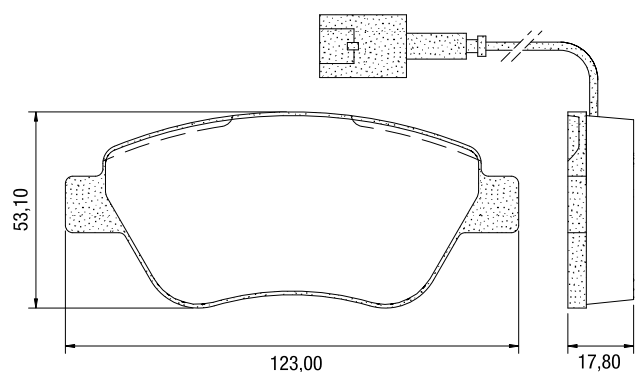
PD/507

2 pastilhas direitas com mola
2 pastilhas esquerdas com mola



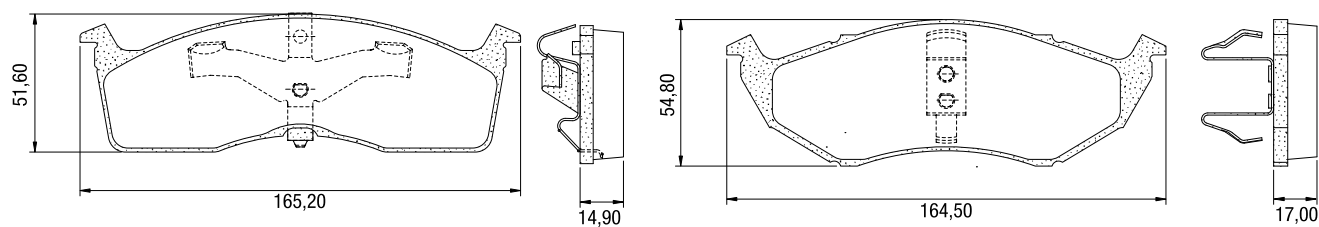
PD/509-B

3 pastilhas sem sensor
1 pastilha com sensor elétrico



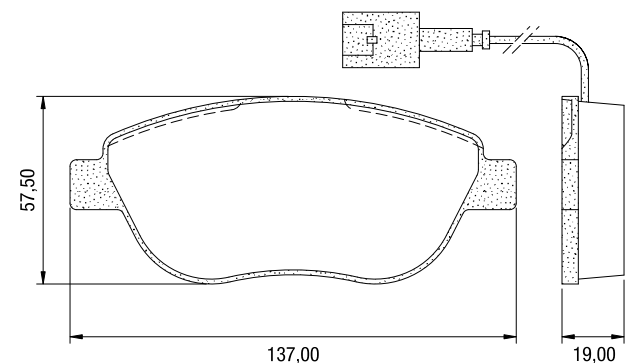
PD/510

2 pastilhas internas com mola
2 pastilhas externas com mola



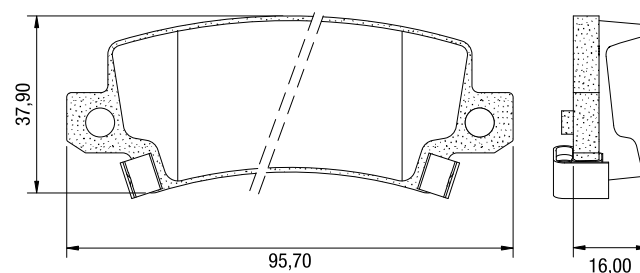
PD/511-B

3 pastilhas sem sensor
1 pastilha com sensor elétrico



PD/512

2 pastilhas sem sensor
1 pastilha esquerda com sensor acústico
1 pastilha direita com sensor acústico



<p>PD/514 ————— 4 pastilhas iguais</p>	<p>PD/516 ————— 4 pastilhas iguais</p>
<p>PD/518 ————— 4 pastilhas iguais</p>	<p>PD/520 ————— 4 pastilhas iguais</p>
<p>PD/521-E ————— 4 pastilhas com sensor elétrico</p>	
<p>PD/522-E ————— 4 pastilhas com sensor elétrico</p>	

PD/525-A ————— 2 pastilhas sem mola
2 pastilhas com mola e com sensor elétrico

PD/526 ————— 2 pastilhas internas
2 pastilhas externas

PD/527 ————— 4 pastilhas iguais

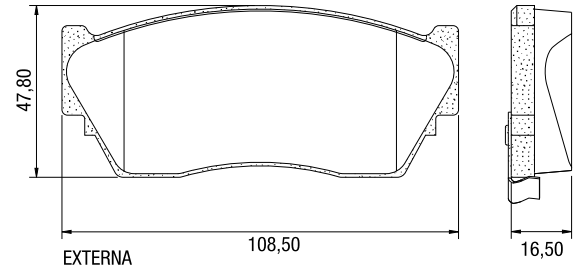
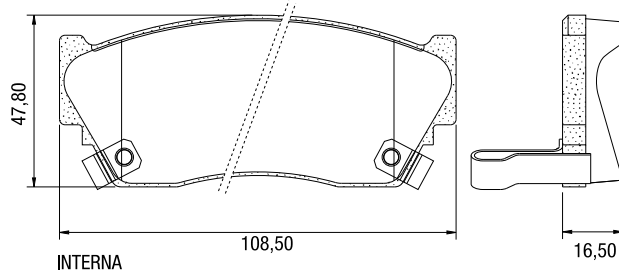
PD/528 ————— 4 pastilhas iguais

PD/529 ————— 4 pastilhas iguais

PD/531 ————— 2 pastilhas sem sensor
1 pastilha esquerda com sensor acústico
1 pastilha direita com sensor acústico

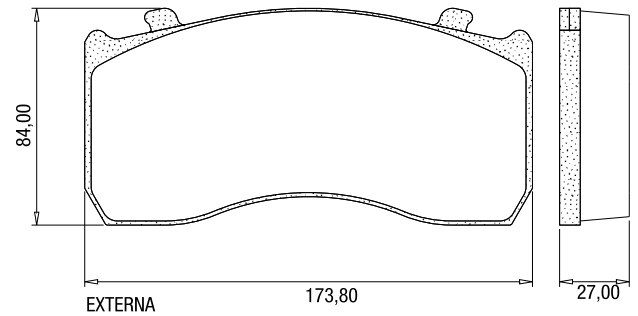
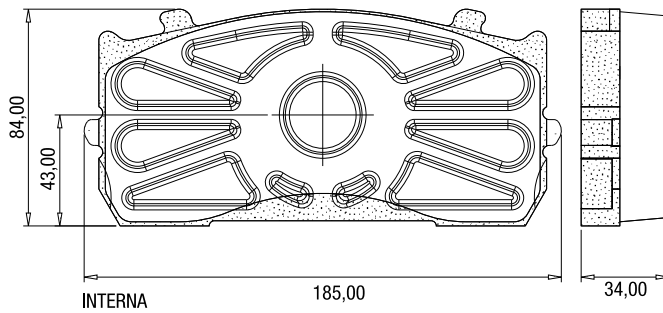
PD/532

2 pastilhas sem sensor
1 pastilha esquerda com sensor acústico
1 pastilha direita com sensor acústico



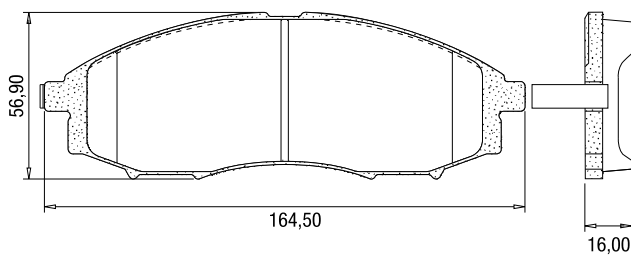
PD/533

2 pastilhas internas
2 pastilhas externas



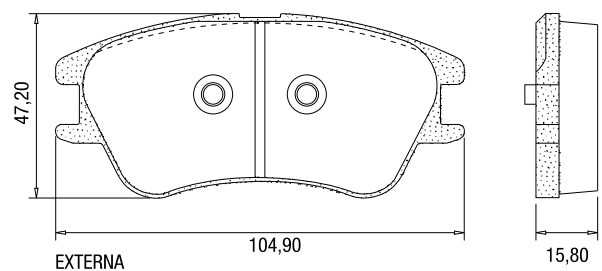
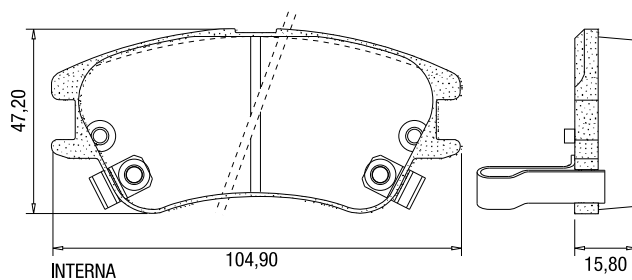
PD/534

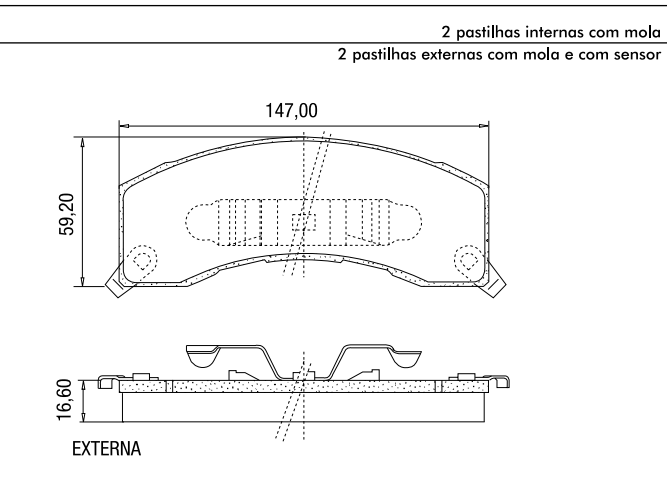
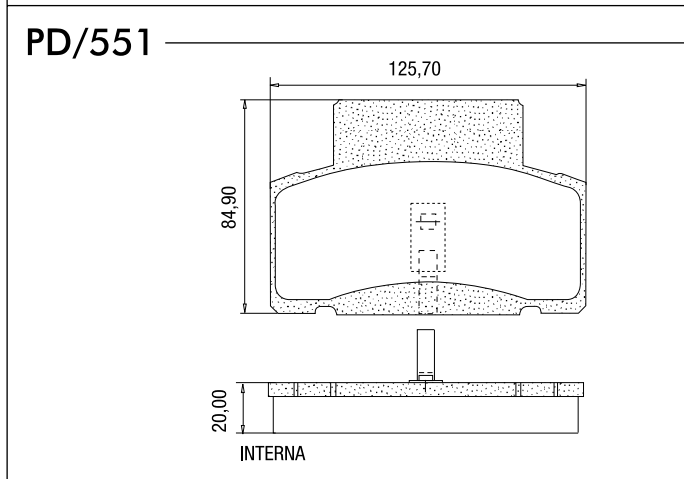
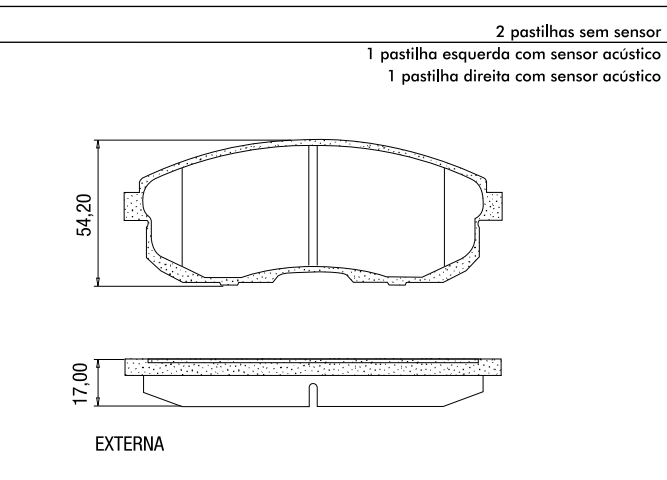
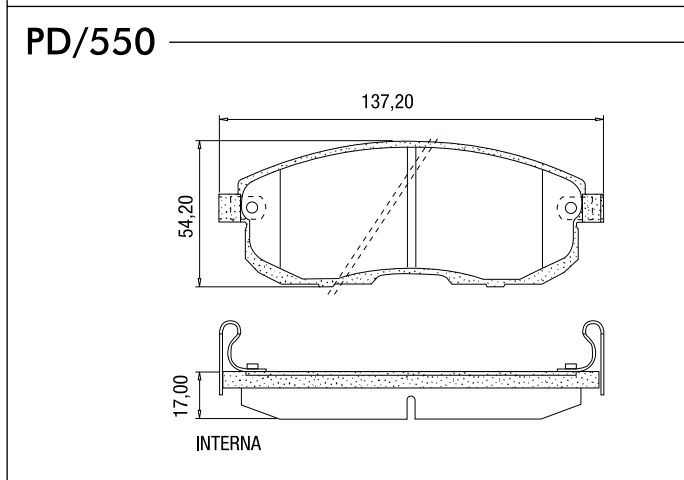
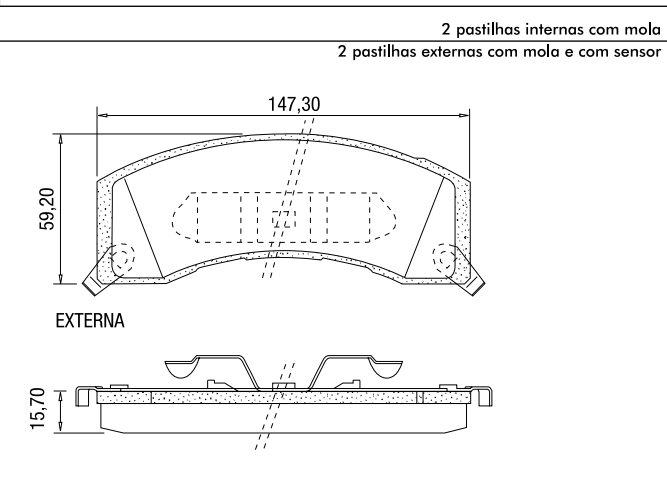
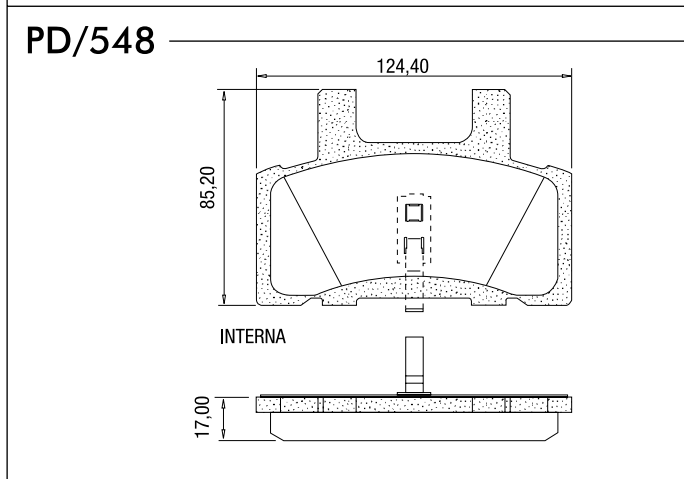
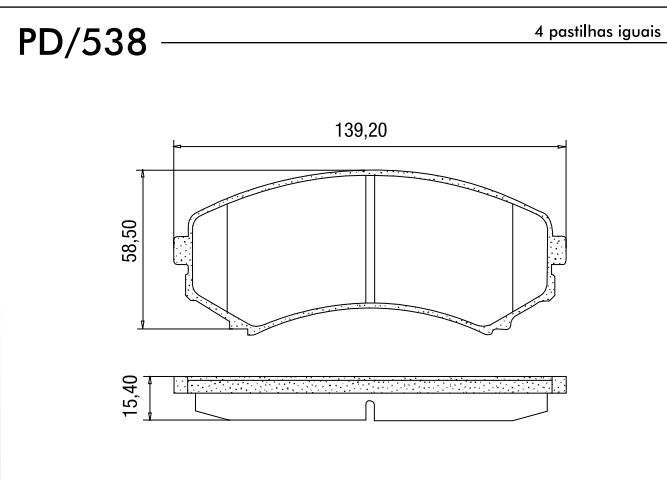
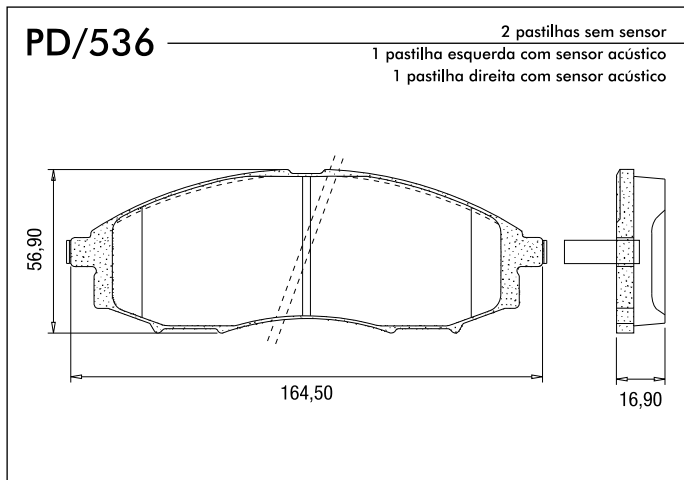
1 pastilha com sensor acústico
3 pastilhas sem sensor acústico



PD/535

2 pastilhas sem sensor
1 pastilha esquerda com sensor acústico
1 pastilha direita com sensor acústico



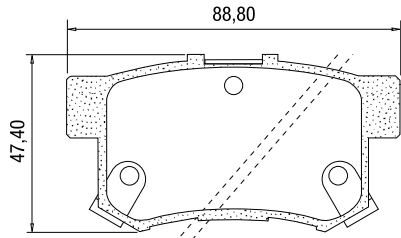


PD/554

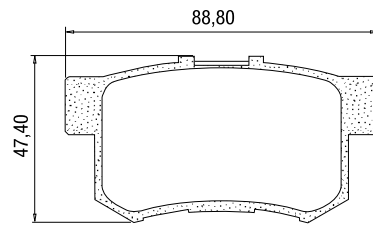
2 pastilhas sem sensor

1 pastilha esquerda com sensor acústico

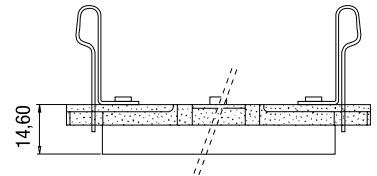
1 pastilha direita com sensor acústico



INTERNA



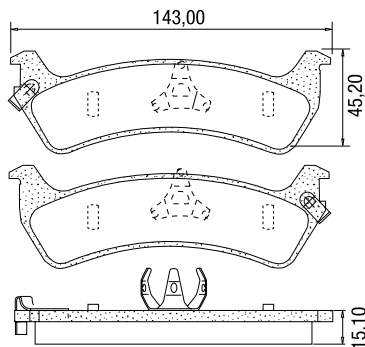
EXTERNA



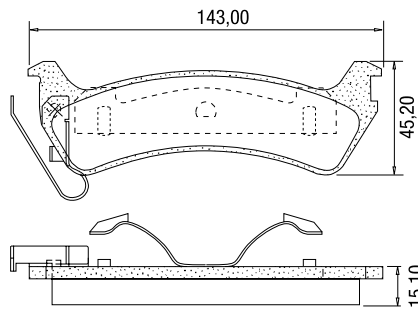
PD/556

2 pastilhas internas com mola e com sensor acústico

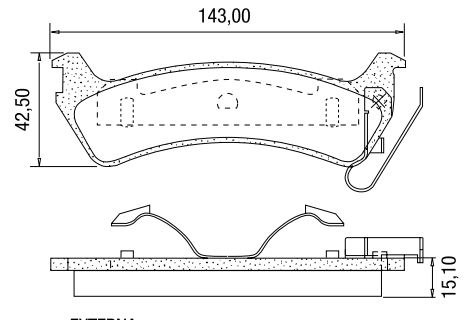
2 pastilhas externas com mola



INTERNA



EXTERNA

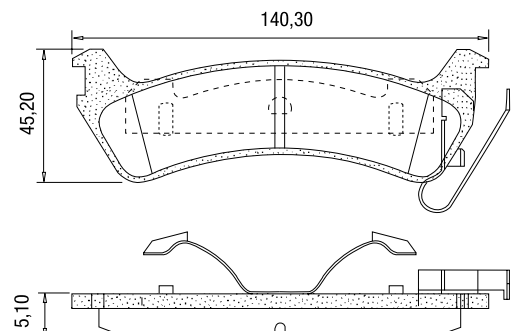
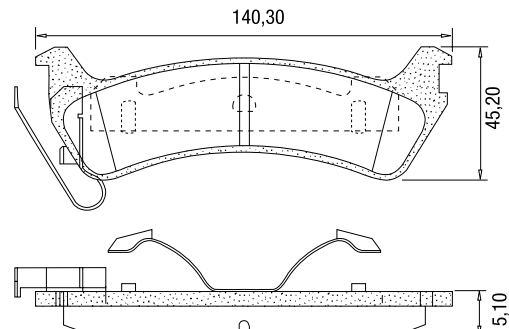
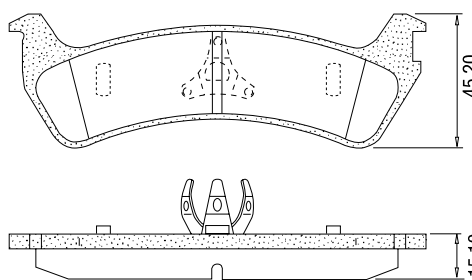
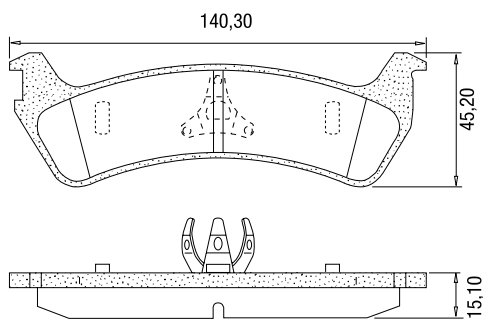


EXTERNA

PD/560

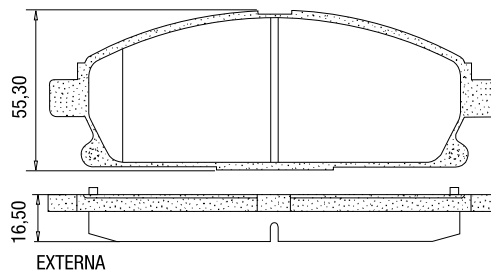
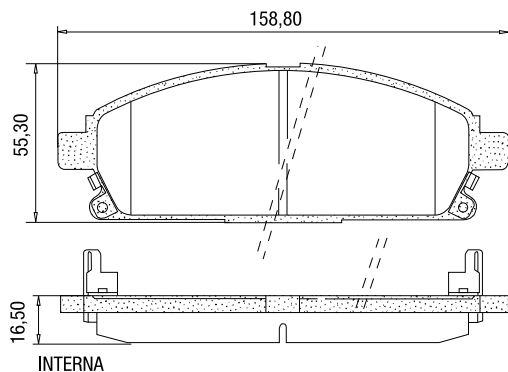
2 pastilhas internas com mola e com sensor acústico

2 pastilhas externas com mola



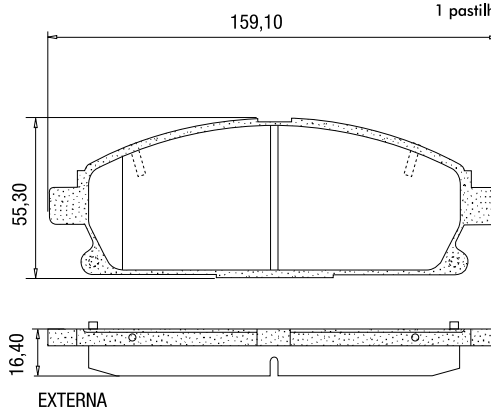
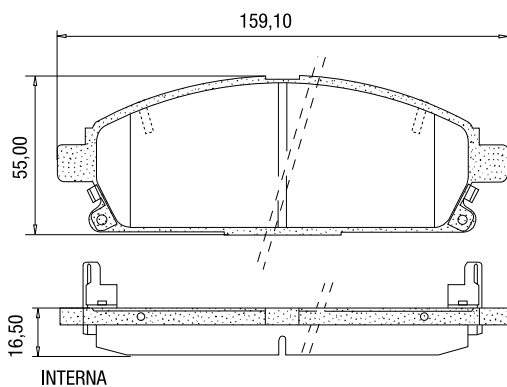
PD/561

2 pastilhas sem sensor
1 pastilha esquerda com sensor acústico
1 pastilha direita com sensor acústico



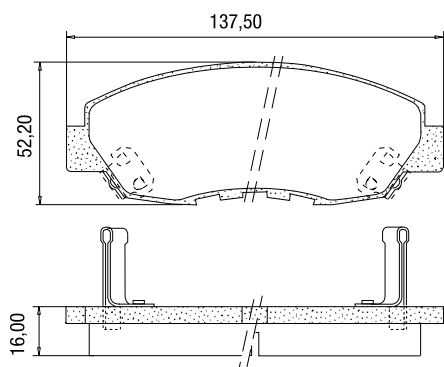
PD/562

2 pastilhas sem sensor
1 pastilha esquerda com sensor acústico
1 pastilha direita com sensor acústico



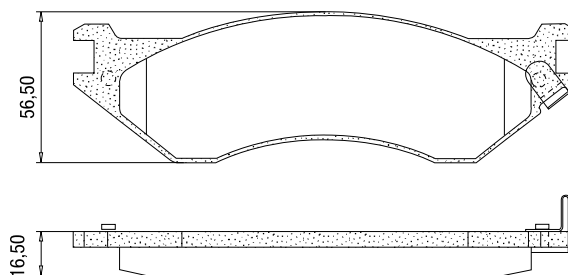
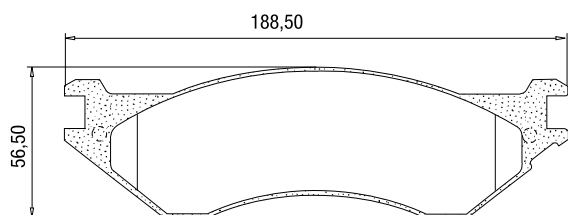
PD/563

2 pastilhas sem sensor
1 pastilha esquerda com sensor acústico
1 pastilha direita com sensor acústico



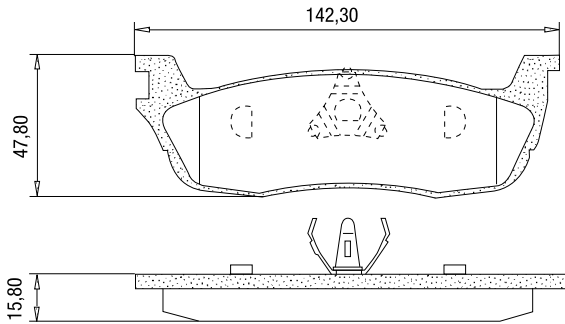
PD/565

2 pastilhas sem sensor
2 pastilhas com sensor acústico

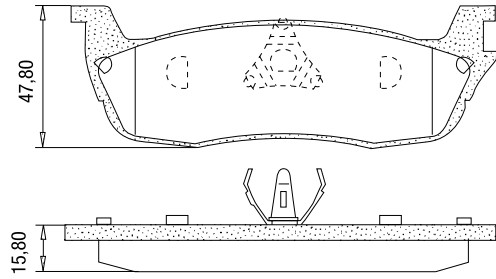


PD/566

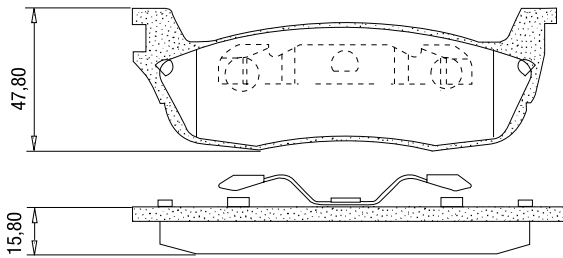
2 pastilhas internas com mola
2 pastilhas externas com mola



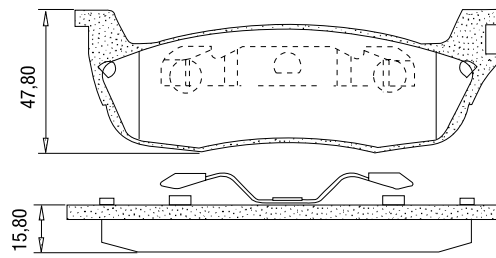
INTERNA



INTERNA



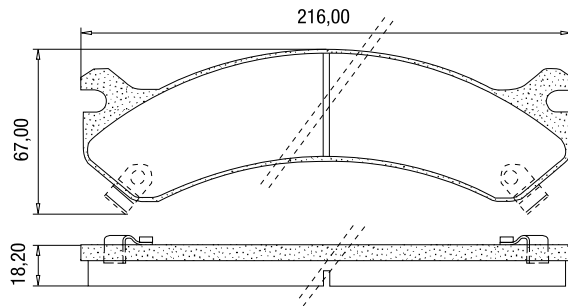
EXTERNA



EXTERNA

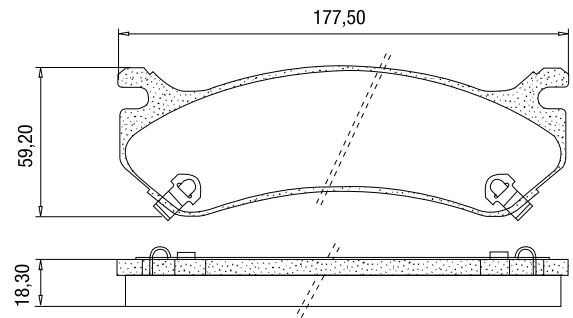
PD/571

2 pastilhas sem sensor
1 pastilha esquerda com sensor acústico
1 pastilha direita com sensor acústico



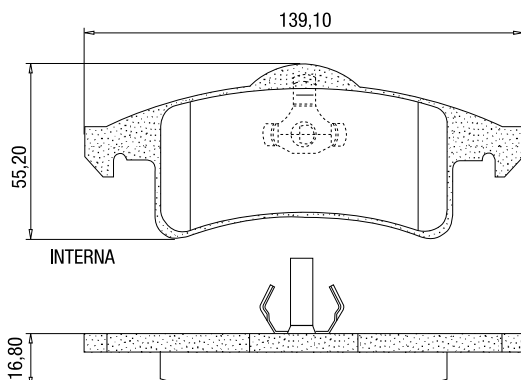
PD/572

2 pastilhas sem sensor
1 pastilha esquerda com sensor acústico
1 pastilha direita com sensor acústico

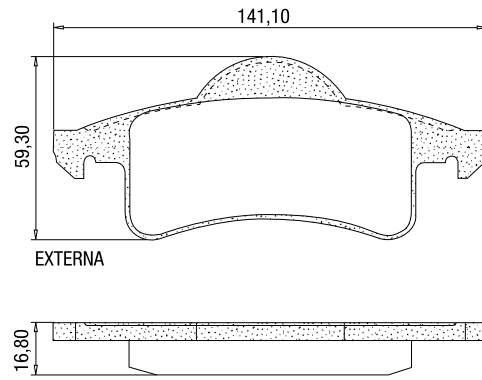


PD/573

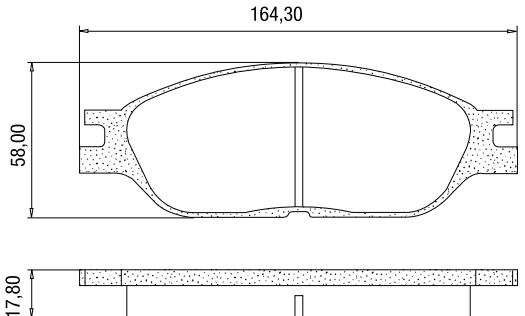
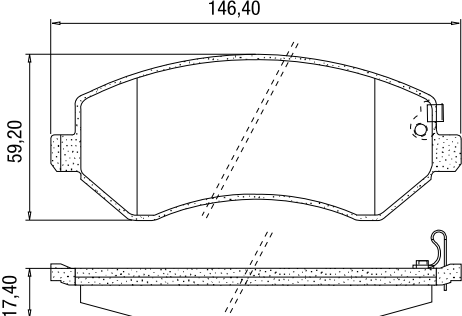
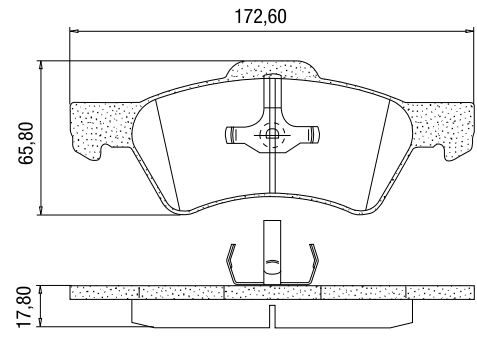
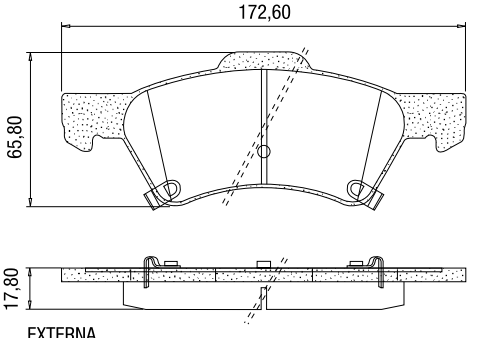
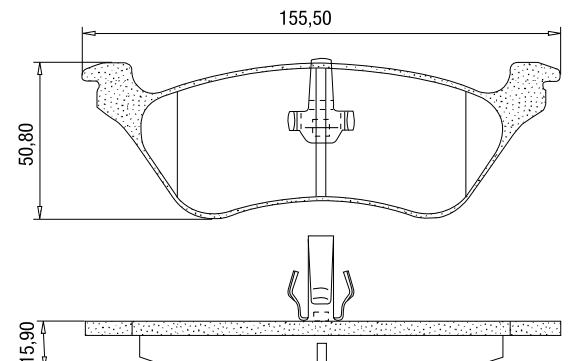
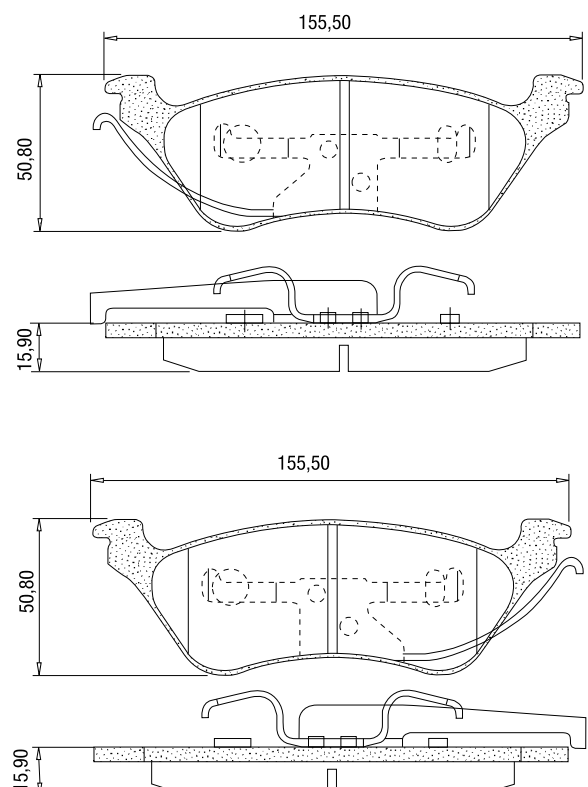
2 pastilhas internas com mola
2 pastilhas externas sem mola



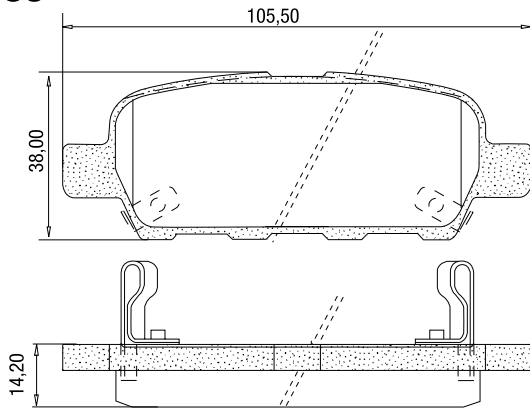
INTERNA



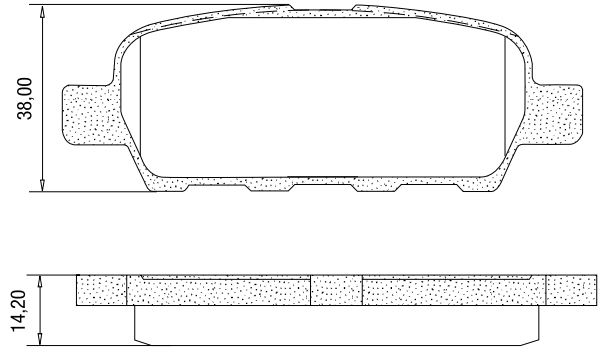
EXTERNA

<p>PD/575 ————— 4 pastilhas iguais</p> 	<p>PD/580 ————— 4 pastilhas iguais</p> 
<p>PD/581 —————</p>  <p>INTERNA</p>	<p>2 pastilhas com mola 1 pastilha esquerda com sensor acústico 1 pastilha direita com sensor acústico</p>  <p>EXTERNA</p>
<p>PD/582 —————</p> 	<p>2 pastilhas internas com mola 2 pastilhas externas com mola</p> 

PD/585

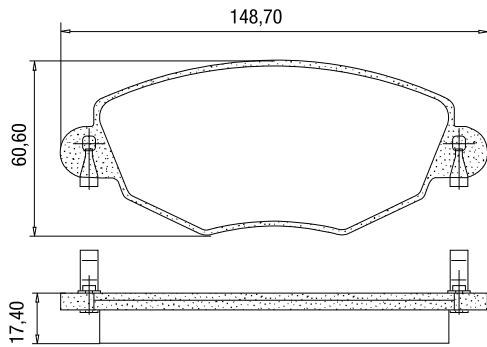


2 pastilhas sem sensor
2 pastilhas com sensor acústico



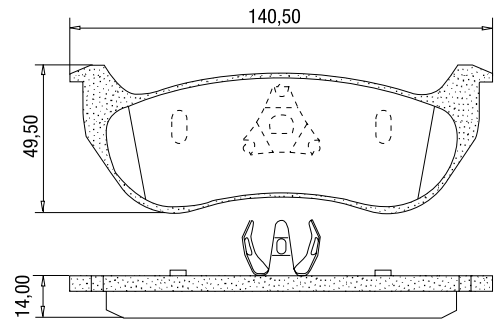
PD/586

4 pastilhas iguais



PD/588

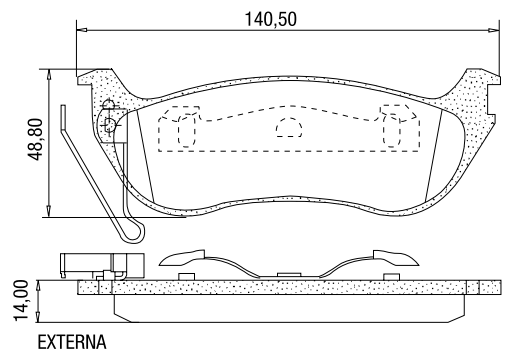
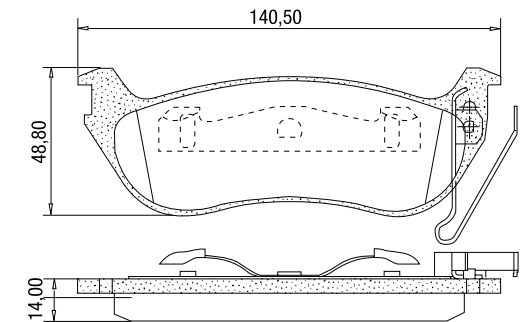
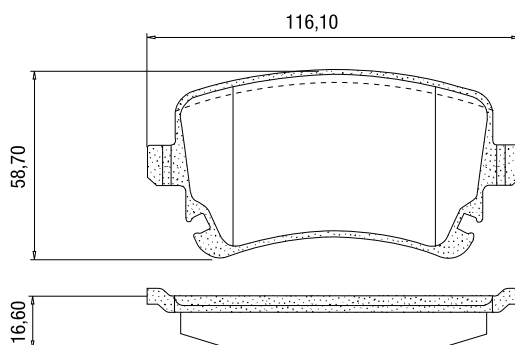
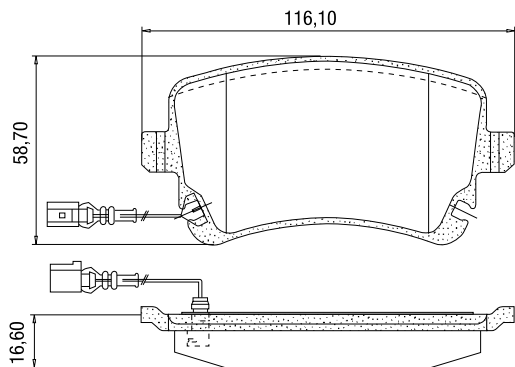
2 pastilhas internas com mola
2 pastilhas externas com mola e sensor acústico



INTERNA

PD/592-B

1 pastilha com sensor elétrico
3 pastilhas sem sensor



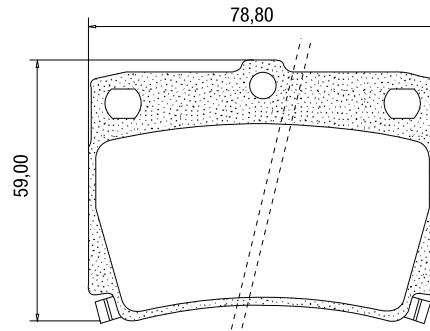
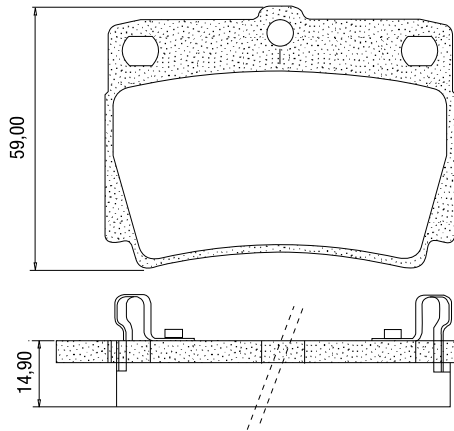
EXTERNA

<p>PD/598 4 pastilhas iguais</p>	<p>PD/599 4 pastilhas iguais</p>
<p>PD/601 4 pastilhas iguais</p>	<p>PD/611 4 pastilhas iguais</p>
<p>PD/612 2 pastilhas externas com sensor acústico 2 pastilhas internas com sensor acústico</p>	
<p>PD/613 4 pastilhas iguais</p>	<p>PD/614 4 pastilhas iguais</p>

PD/616

2 pastilhas sem sensor

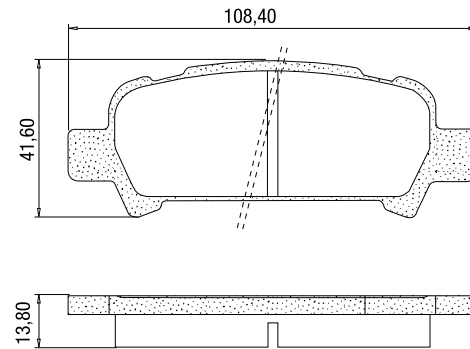
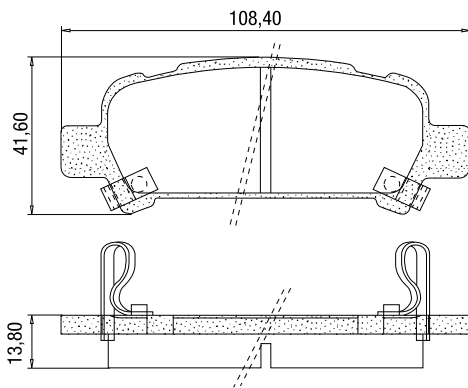
1 pastilha esquerda com sensor acústico
1 pastilha direita com sensor acústico



PD/619

2 pastilhas sem sensor

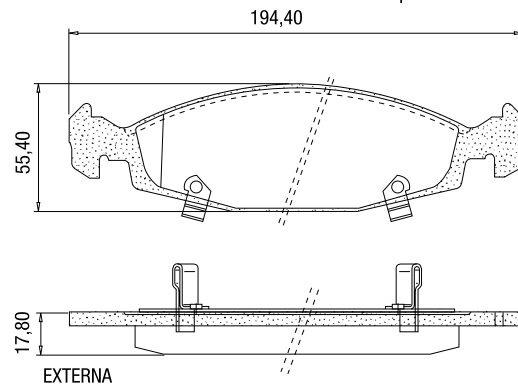
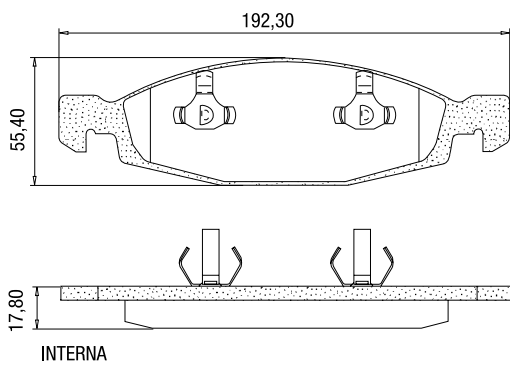
1 pastilha esquerda com sensor acústico
1 pastilha direita com sensor acústico



PD/620

2 pastilhas sem sensor

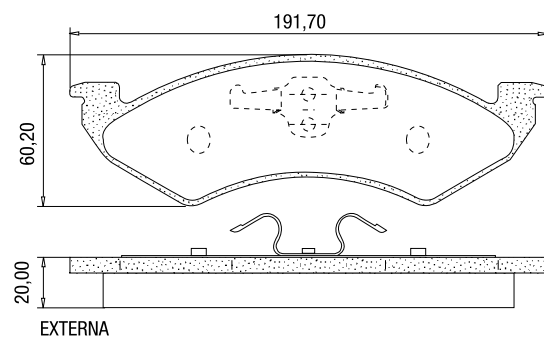
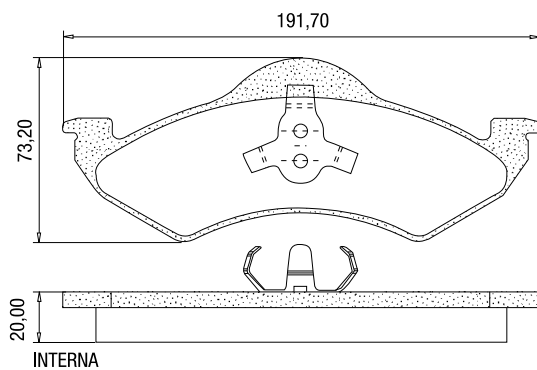
1 pastilha esquerda com sensor acústico
1 pastilha direita com sensor acústico



PD/623

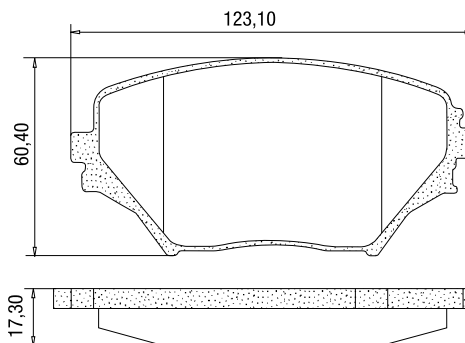
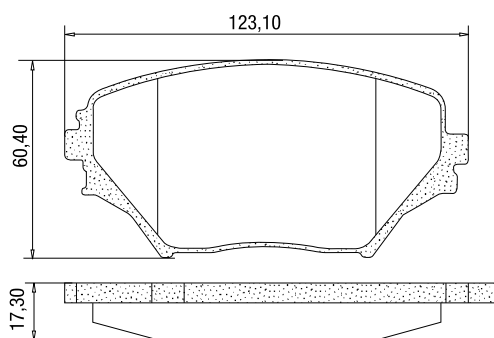
2 pastilhas internas com mola

2 pastilhas externas com mola



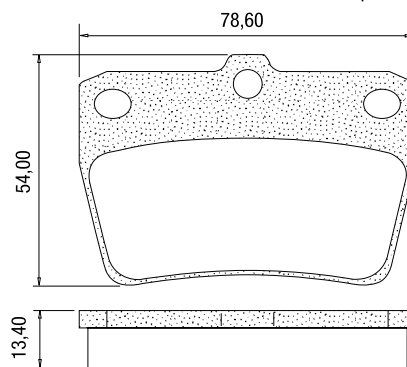
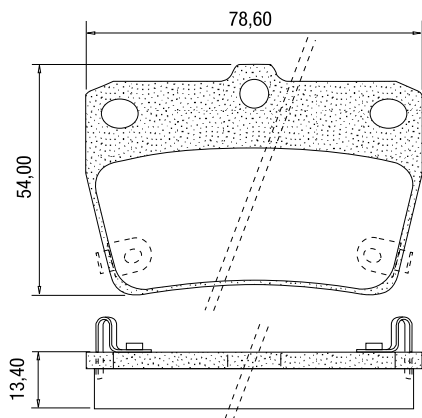
PD/628

2 pastilhas direitas
2 pastilhas esquerdas



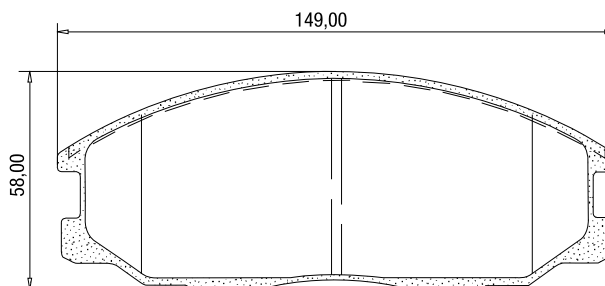
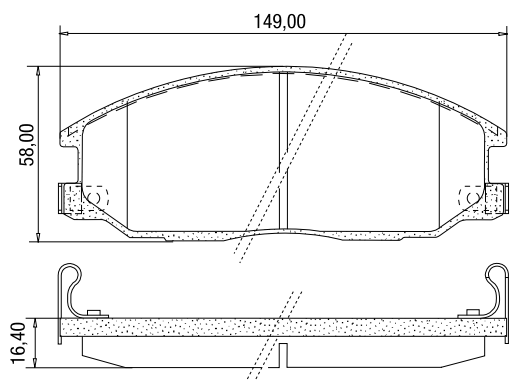
PD/629

2 pastilhas sem sensor
1 pastilha esquerda com sensor acústico
1 pastilha direita com sensor acústico



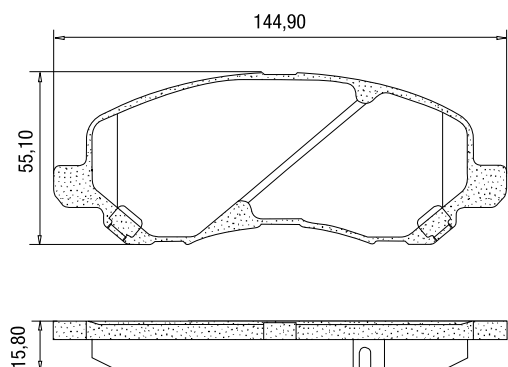
PD/630

2 pastilhas sem sensor
1 pastilha esquerda com sensor acústico
1 pastilha direita com sensor acústico



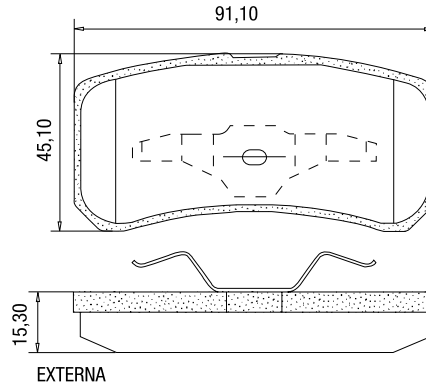
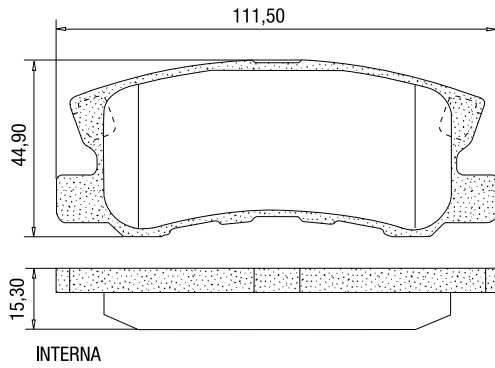
PD/631

4 pastilhas iguais



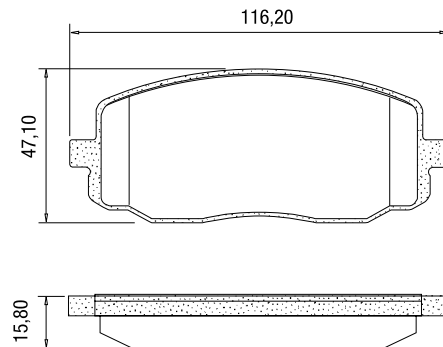
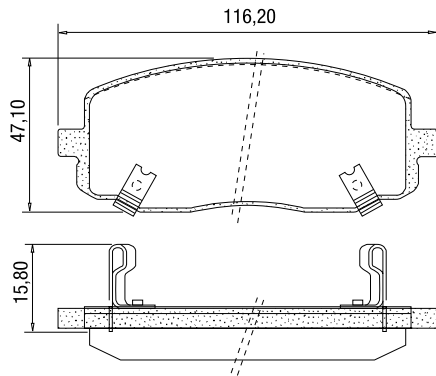
PD/632

2 pastilhas internas sem mola
2 pastilhas externas com mola



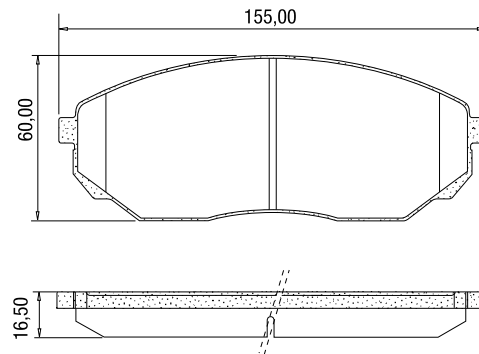
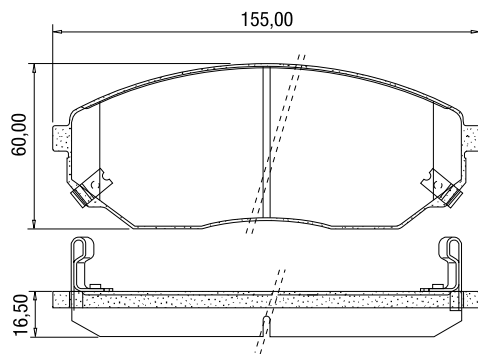
PD/633

2 pastilhas sem sensor
1 pastilha esquerda com sensor acústico
1 pastilha direita com sensor acústico



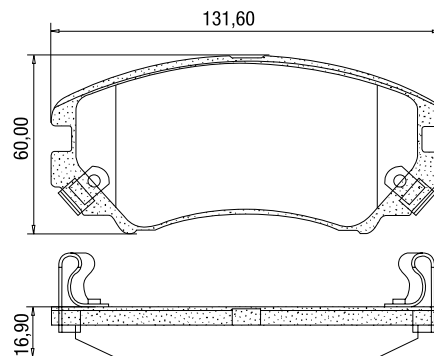
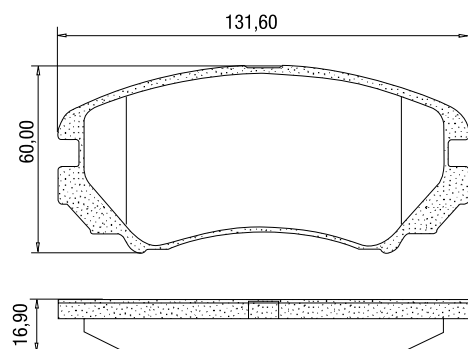
PD/634

2 pastilhas sem sensor
1 pastilha esquerda com sensor acústico
1 pastilha direita com sensor acústico



PD/635

2 pastilhas sem sensor
1 pastilha esquerda com sensor acústico
1 pastilha direita com sensor acústico



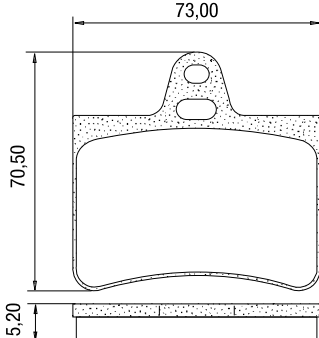
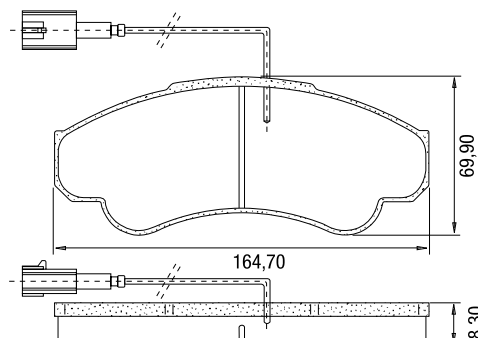
PD/637 4 pastilhas iguais

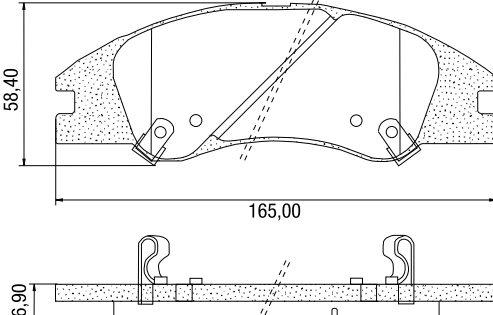
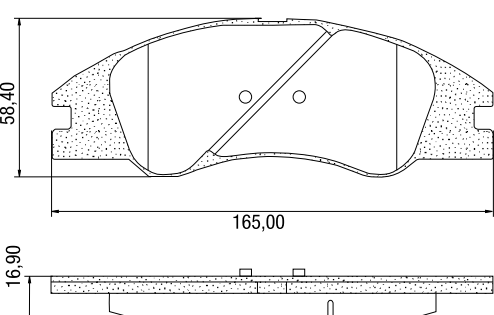
PD/638 2 pastilhas sem sensor
1 pastilha esquerda com sensor acústico
1 pastilha direita com sensor acústico

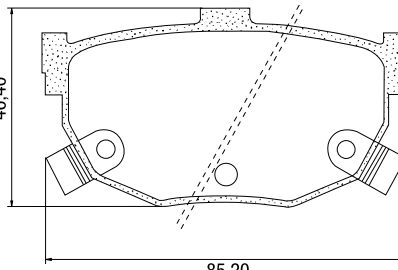
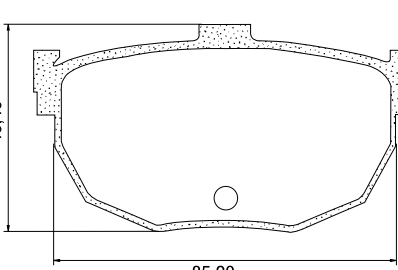
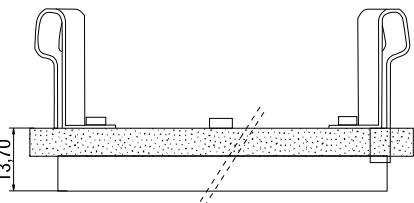
PD/644 2 pastilhas sem sensor
1 pastilha esquerda com sensor acústico
1 pastilha direita com sensor acústico

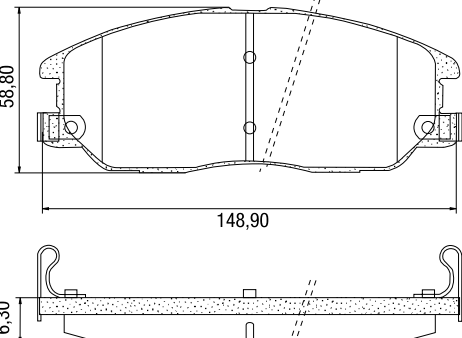
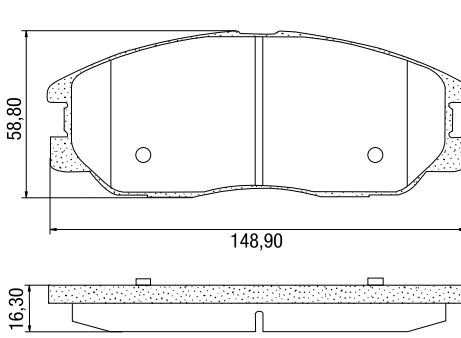
PD/645 2 pastilhas sem sensor
1 pastilha esquerda com sensor acústico
1 pastilha direita com sensor acústico

<p>PD/646 ————— 4 pastilhas iguais</p>	<p>PD/647 ————— 4 pastilhas iguais</p>
<p>PD/648 ————— 2 pastilhas direitas 2 pastilhas esquerdas</p>	
<p>PD/649-E —————</p>	<p>2 pastilhas com sensor elétrico curto 2 pastilhas com sensor elétrico longo</p>
<p>PD/650-E —————</p>	<p>2 pastilhas com sensor elétrico curto 2 pastilhas com sensor elétrico longo</p>

<p>PD/651 4 pastilhas iguais</p> 	<p>PD/652-B 3 pastilhas sem sensor 1 pastilha com sensor elétrico</p> 
--	--

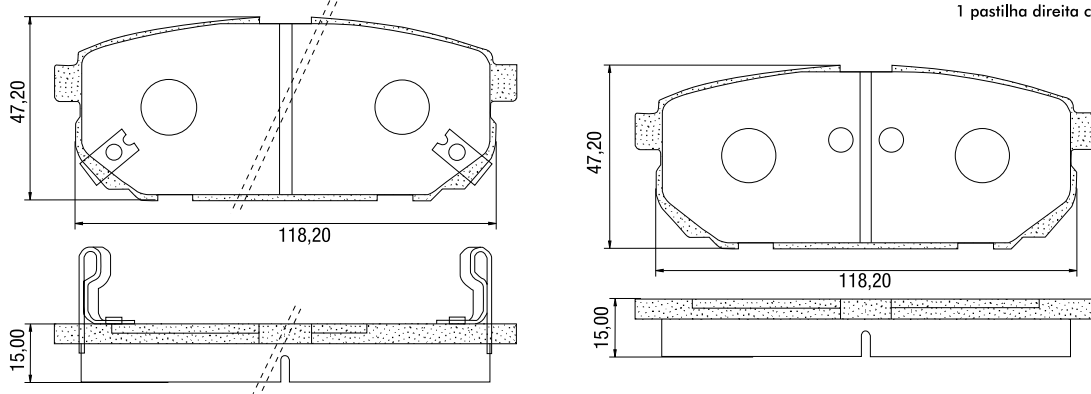
<p>PD/665 2 pastilhas sem sensor 1 pastilha esquerda com sensor acústico 1 pastilha direita com sensor acústico</p>	
	

<p>PD/666 2 pastilhas sem sensor 1 pastilha esquerda com sensor acústico 1 pastilha direita com sensor acústico</p>		
		

<p>PD/667 2 pastilhas sem sensor 1 pastilha esquerda com sensor acústico 1 pastilha direita com sensor acústico</p>	
	

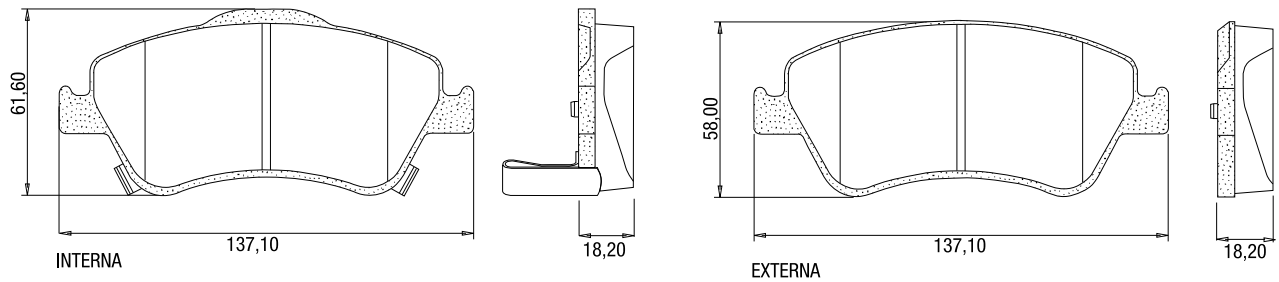
PD/668

2 pastilhas sem sensor
1 pastilha esquerda com sensor acústico
1 pastilha direita com sensor acústico



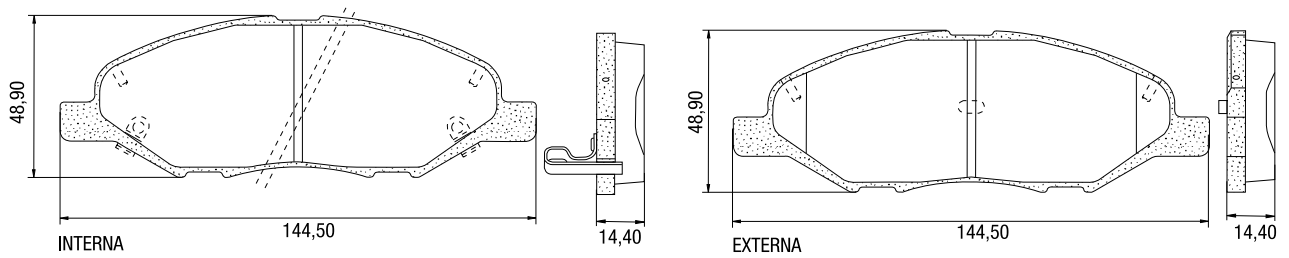
PD/669

2 pastilhas sem sensor
2 pastilhas com sensor acústico



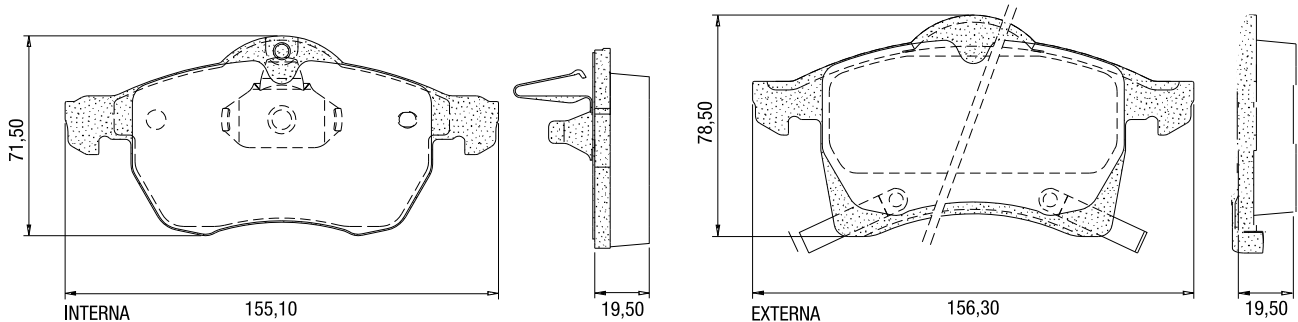
PD/672

2 pastilhas sem sensor
1 pastilha esquerda com sensor acústico
1 pastilha direita com sensor acústico



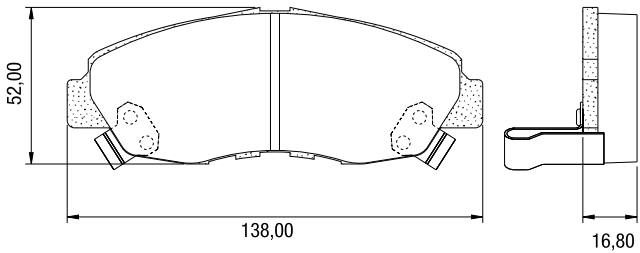
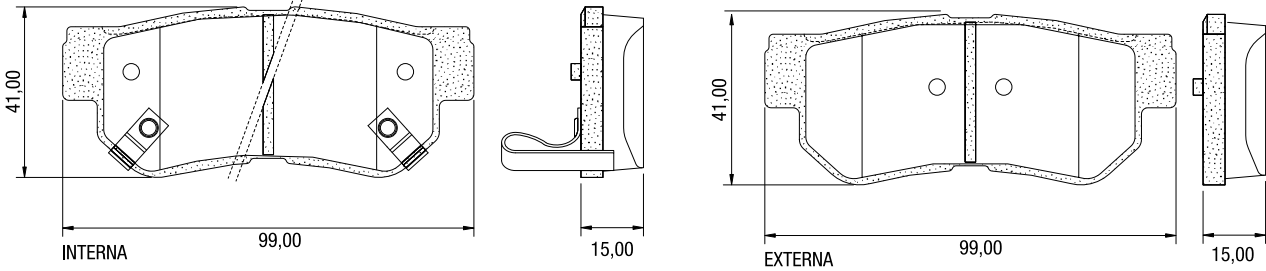
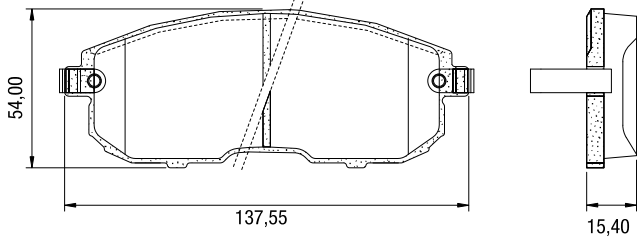
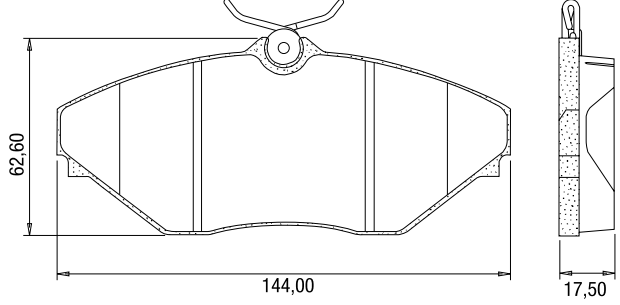
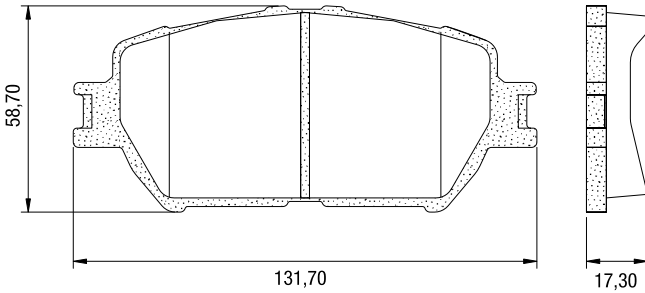
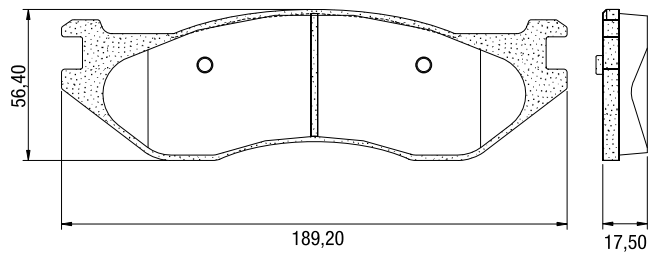
PD/676

2 pastilhas internas com mola
2 pastilhas externas com sensor acústico



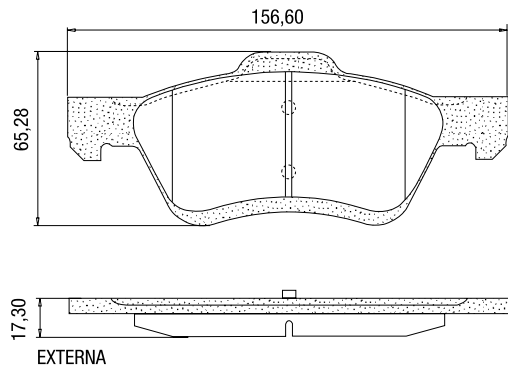
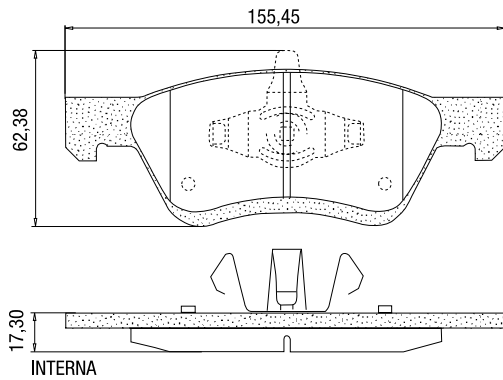
<p>PD/680 ————— 4 pastilhas iguais</p>	<p>PD/681 ————— 4 pastilhas iguais</p>
<p>PD/685 ————— 2 pastilhas internas com mola 2 pastilhas externas com sensor acústico</p>	
<p>PD/689 ————— 2 pastilhas sem sensor 2 pastilhas com sensor acústico</p>	
<p>PD/692 ————— 2 pastilhas sem sensor 1 pastilha esquerda com sensor acústico 1 pastilha direita com sensor acústico</p>	

<p>PD/695 ————— 4 pastilhas iguais</p>	<p>PD/696 ————— 4 pastilhas iguais</p>
<p>PD/708 ————— 2 pastilhas internas com mola 2 pastilhas externas com mola</p>	
<p>PD/711 ————— 2 pastilhas sem sensor 2 pastilhas com sensor acústico</p>	
<p>PD/715 ————— 2 pastilhas sem sensor 2 pastilhas com sensor acústico</p>	

<p>PD/717 ————— 2 pastilhas sem sensor 2 pastilhas com sensor acústico</p> 	
<p>PD/725 ————— 2 pastilhas sem sensor 1 pastilha esquerda com sensor acústico 1 pastilha direita com sensor acústico</p> 	
<p>PD/728 ————— 2 pastilhas esquedas com sensor acustico 2 pastilhas direitas com sensor acustico</p> 	<p>PD/733 ————— 4 pastilhas iguais</p> 
<p>PD/745 ————— 4 pastilhas iguais</p> 	<p>PD/758 ————— 4 pastilhas iguais</p> 

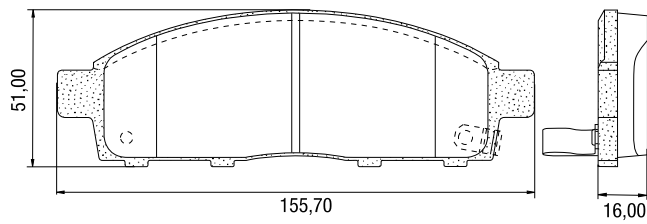
PD/767

2 pastilhas sem mola
2 pastilhas com mola



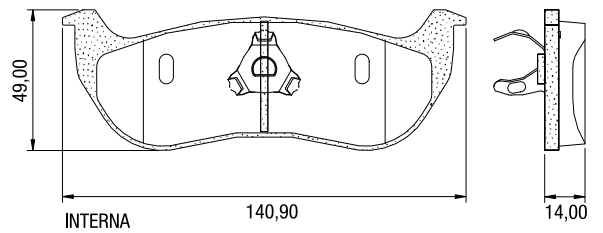
PD/771

3 pastilhas sem sensor
1 pastilha com sensor elétrico



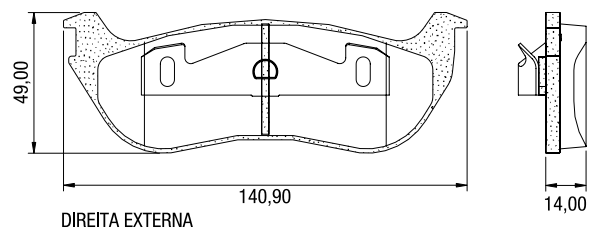
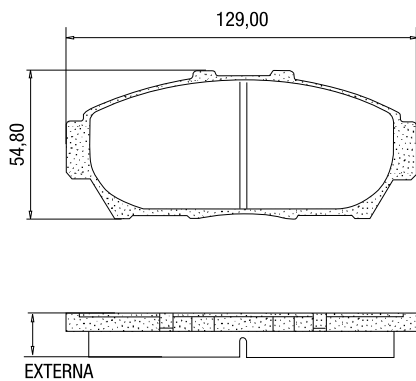
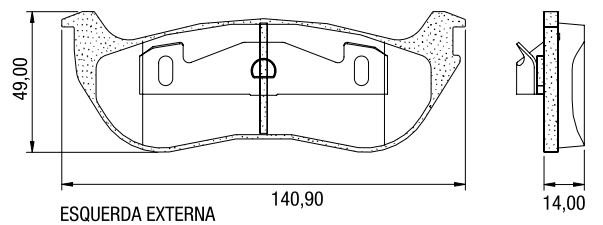
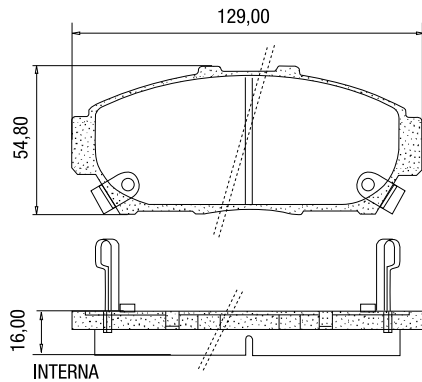
PD/775

2 pastilhas internas com mola
2 pastilhas externas com mola



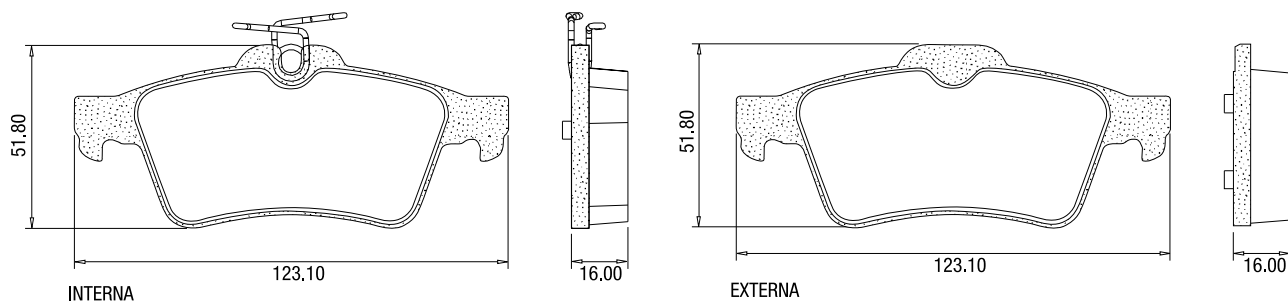
PD/782

2 pastilhas externas
1 pastilha interna com sensor direito
1 pastilha interna com sensor esquerdo



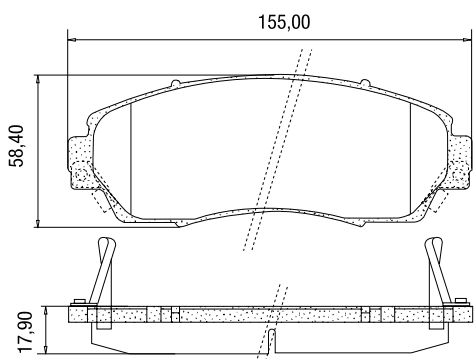
PD/796

2 pastilhas externas
2 pastilhas internas



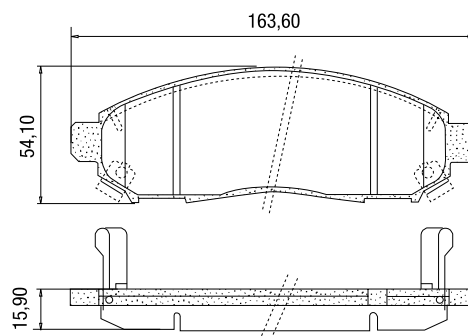
PD/809

4 pastilhas iguais



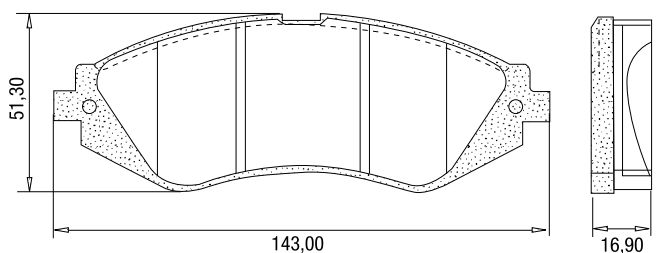
PD/811

2 pastilhas esquerdas com sensor acústico
2 pastilhas direitas com sensor acústico



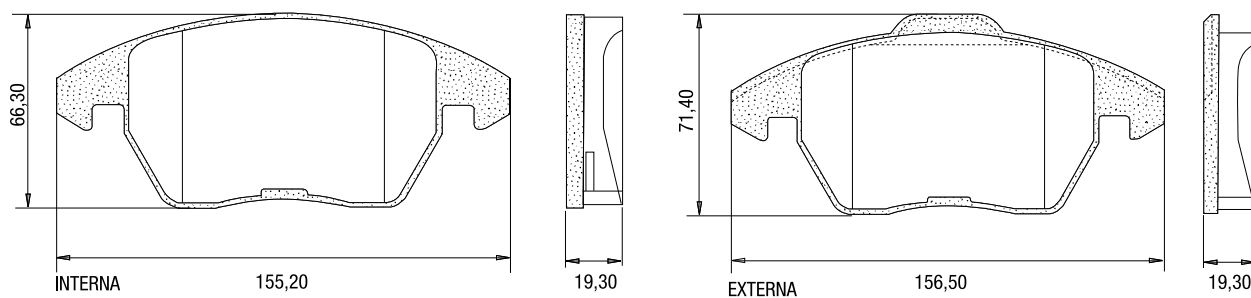
PD/817

2 pastilhas sem sensor
2 pastilhas com sensor acústico

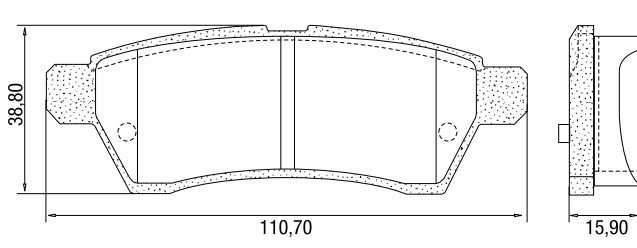
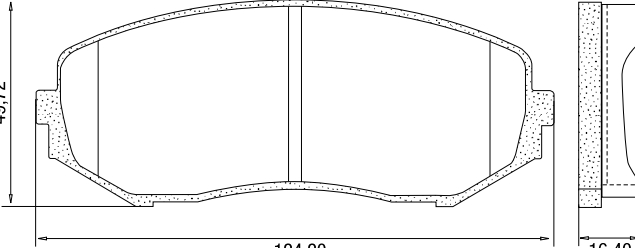
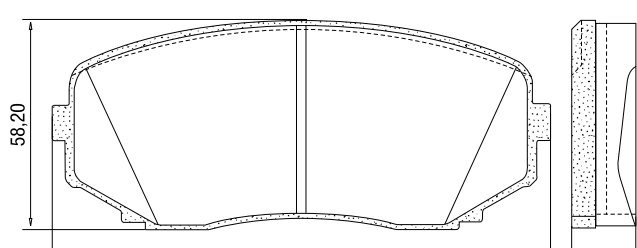
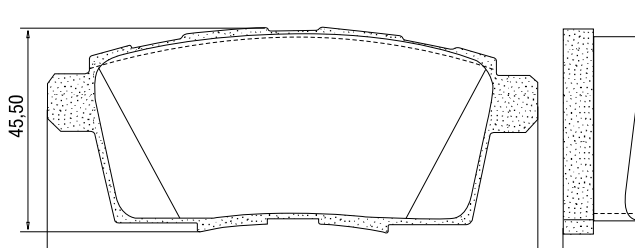
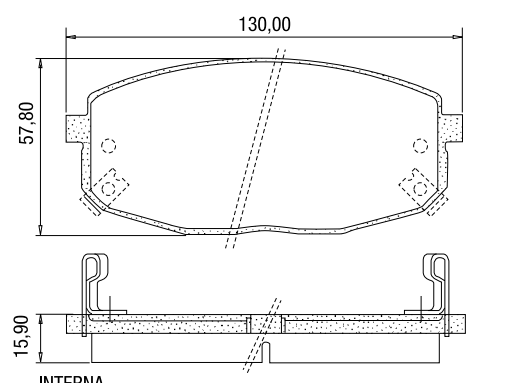
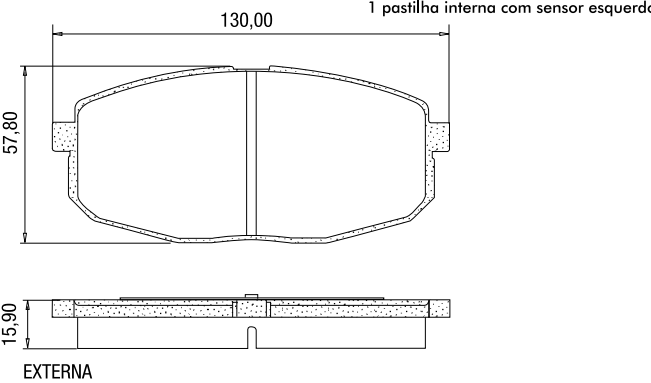
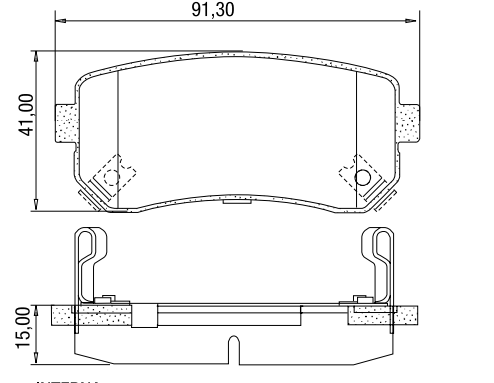
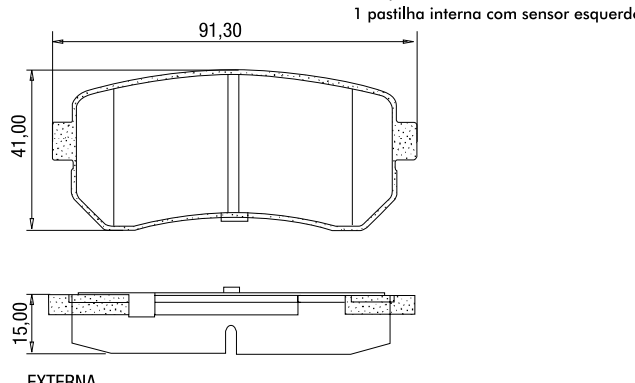


PD/1000

4 pastilhas iguais



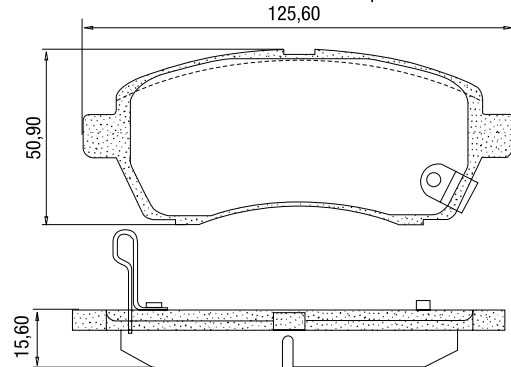
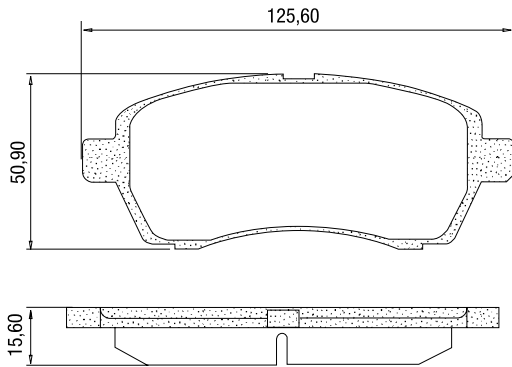
<p>PD/1000-B</p> <p>EXTERNA</p>	<p>2 pastilhas externas 1 pastilha interna com mola sem sensor elétrico 1 pastilha interna com mola e com sensor elétrico</p> <p>INTERNA</p>
<p>PD/1026</p> <p>EXTERNA</p>	<p>PD/1028</p> <p>EXTERNA</p>
<p>PD/1028-B</p> <p>EXTERNA</p>	<p>PD/1029-A</p> <p>EXTERNA</p>
<p>PD/1030</p> <p>EXTERNA</p>	<p>PD/1052</p> <p>EXTERNA</p>

<p>PD/1072 4 pastilhas iguais</p> 	<p>PD/1077 4 pastilhas iguais</p> 
<p>PD/1080 4 pastilhas iguais</p> 	<p>PD/1081 4 pastilhas iguais</p> 
<p>PD/1092</p> 	<p>PD/1092 2 pastilhas externas 1 pastilha interna com sensor direito 1 pastilha interna com sensor esquerdo</p> 
<p>PD/1093</p> 	<p>PD/1093 2 pastilhas externas 1 pastilha interna com sensor direito 1 pastilha interna com sensor esquerdo</p> 

PD/1097

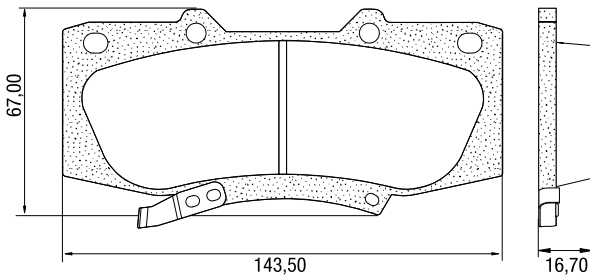
2 pastilhas externas

1 pastilha interna com sensor direito
1 pastilha internas com sensor esquerdo



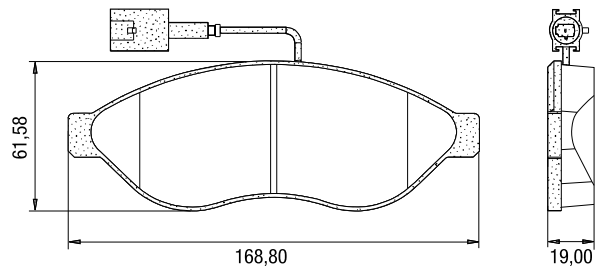
PD/1098

4 pastilhas iguais



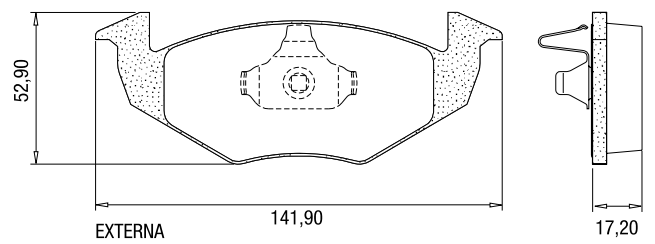
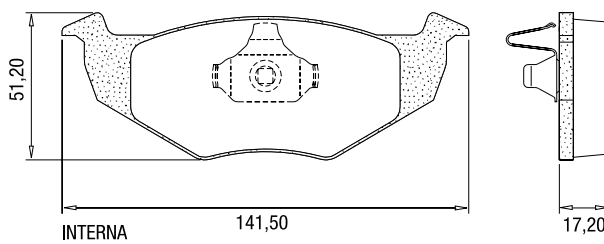
PD/1099-B

1 pastilha com sensor elétrico
3 pastilhas sem sensor



PD/1100

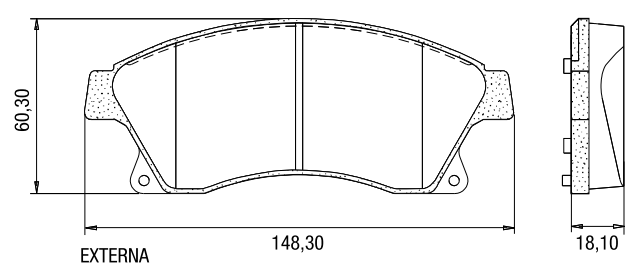
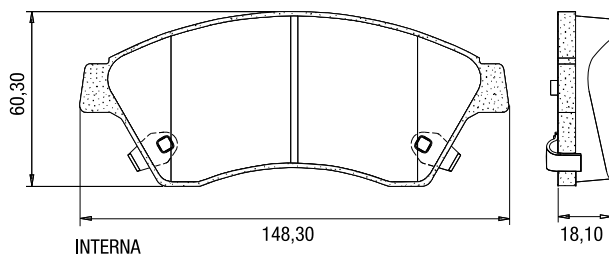
2 pastilhas internas com mola
2 pastilhas externas com mola



PD/1101

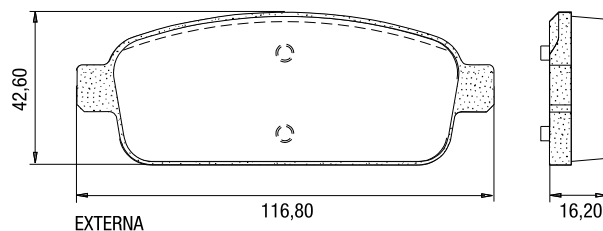
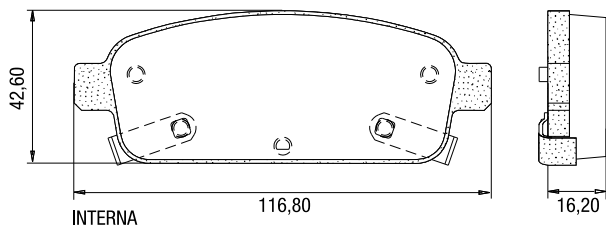
2 pastilhas externas

1 pastilha interna com sensor direito
1 pastilha interna com sensor esquerdo



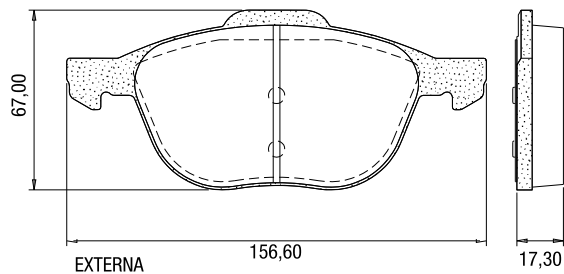
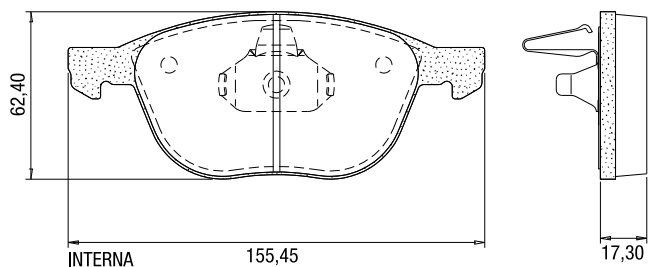
PD/1102

2 pastilhas externas
1 pastilha interna com sensor direito
1 pastilha interna com sensor esquerdo



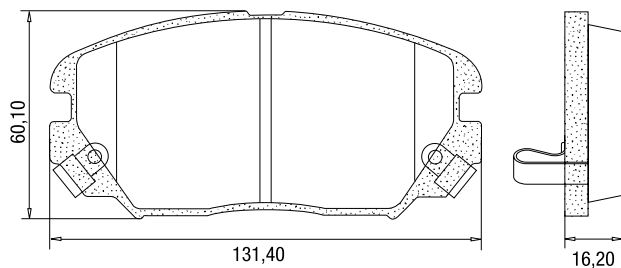
PD/1103

2 pastilhas com mola
2 pastilhas sem mola



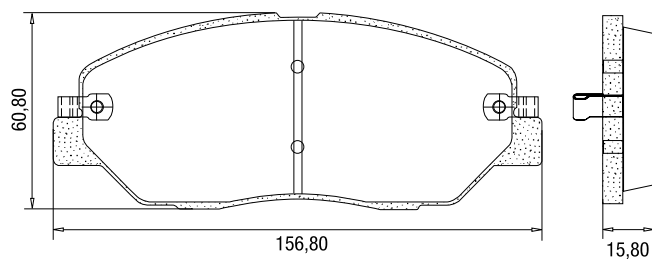
PD/1277

4 pastilhas iguais



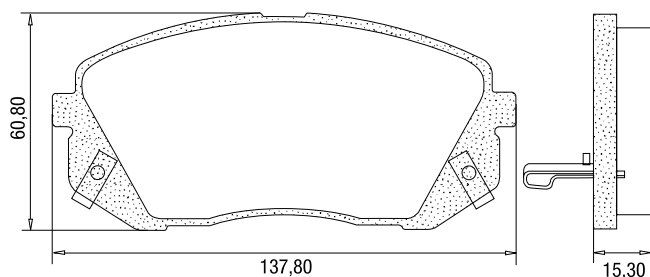
PD/1287

4 pastilhas iguais



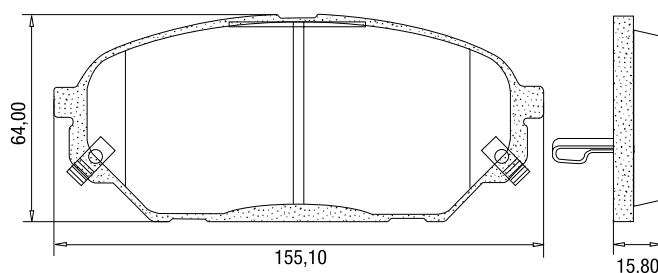
PD/1296

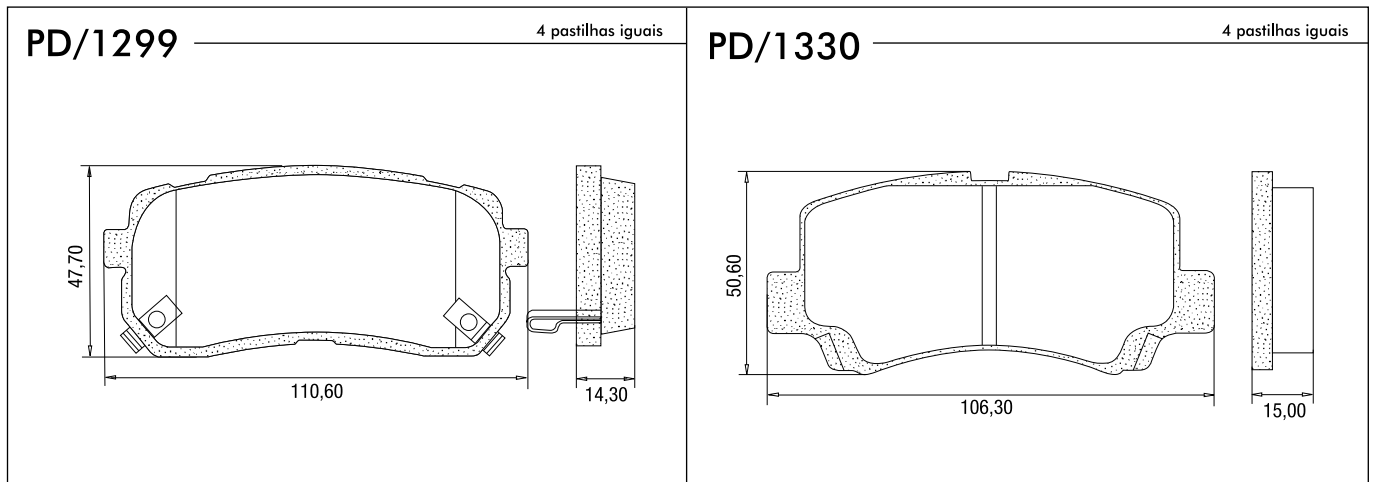
4 pastilhas iguais



PD/1298

4 pastilhas iguais





Notas:



REFERÊNCIA	PÇS/JG	Ø TAMBOR	LARGURA	COMPRIMENTO	ESPESSURA	REBITES	
						QUANTIDADE	TIPO
287	4	280.0	50.8	302	4.8	40	4-4
855	4	229.0	43.0	219	4.4	40	4-4
1219	2 + 2	280.0	50.8	254 / 311	4.8	44	4-5
2006	2 + 2	280.0	50.8	238 / 302	4.8	48	4-4
2011	2 + 2	229.0	44.5	168 / 260	4.8	40	4-5
2032	4	381.0	101.6	391	9.5	56	7-6
2039	2 + 2	356.0	63.5	311 / 381	6.4	44	5-5
2042	2 + 2	330.0	63.5	324 / 356	6.4	48	7-6
2060	2 + 2	356.0	63.5	346 / 381	6.4	48	7-6
2095	2	229.0	50.8	267	4.8	24	4-5
4375	4	438.0	101.6	397	12.7	40	8-8
4480	4 + 4	559.0	177.8	327 / 335	19.1	112	10-10
4515	4 + 4	419.0	177.8	206 / 213	18.2	96	8-10
4575	8	660.0	127.0	394	18.8	64	3/8"
4622	8	508.0	190.5	284	18.8	96	3/8"
4707	4 + 4	419.0	177.8	206 / 213	21.1	112	10-10
4710	4 + 4	381.0	219.1	187 / 191	18.8	128	10-10
4718	4 + 4	419.0	203.2	206 / 213	21.1	112	10-10
4720	4 + 4	419.0	127.0	206 / 213	21.1	64	10-10
8020	2 + 2	254.0	44.5	222 / 270	4.8	22	ESPECIAL
8032	4	280.0	65.0	283	5.0	48	4-4
8033	2 + 2	280.0	50.0	248 / 283	5.0	48	4-4
8049	2 + 2	230.0	35.0	194 / 251	4.8	36	4-4
2006-T	2 + 2	280.0	50.8	238 / 302	4,8 / 6,0	48	4-5
2012-BT	2 + 2	254.0	44.5	214 / 278	4,8 / 6,0	40	4-
2026-AT	2 + 2	308.0	50.8	257 / 333	6,4 / 8,0	36	4-5
2026-T	2 + 2	308.0	50.8	295 / 333	6,4 / 7,5	40	4-5
2042-A	2 + 2	330.0	63.5	289 / 356	6.4	48	7-6
2053-T	2 + 2	280.0	57.2	270 / 302	4,8 / 6,0	40	4-4
2080-T	2 + 2	280.0	63.5	235 / 305	5,2 / 6,0	40	4-5
2121-T	2 + 2	280.0	57.2	235 / 305	5,2 / 6,0	36	4-5
4195-A	8	419.0	139.7	216	18.6	48	3/8"
4195-B	8	419.0	139.7	216	18.6	80	10-14
4354-A	8	508.0	152.4	284	18.8	48	3/8"
4462-A	4 + 4	514.0	177.8	297 / 306	18.1	112	10-
4505-A	8	381.0	177.8	179	18.4	96	10-8
4514-F	4 + 4	419.0	152.4	206 / 213	18.2	64	10-10
4514-G	4 + 4	419.0	152.4	206 / 213	18.2	96	10-10
4515-C	4 + 4	419.0	177.8	206 / 213	18.2	96	10-10
4515-G	4 + 4	419.0	177.8	206 / 213	18.2	112	10-10
4524-B	4 + 4	419.0	127.0	206 / 213	18.2	64	10-10
4564-A	4	381.0	114.3	403	12.7	56	7-8
4633-A	8	514.0	177.8	245	19.3	128	10-
659-B	4	406.0	57.2	426	8.0	56	7-6
CA/32	4 + 4	419.0	203.2	206 / 213	18.2	128	10-10
CA/32-A	4 + 4	419.0	203.2	206 / 213	18.2	128	10-10
CA/33	4 + 4	419.0	203.2	206 / 213	21.1	128	10-10
CA/36	4+4	419.0	254.0	194.6/189.0	21,0-10,2/21,1-16,5	32	10-10
CB/36	4	381.0	114.3	395	9.5	56	7-8
CB/38	2 + 2	222.0	44.5	183 / 235	5.2	40	4-4
CB/39	2 + 2	222.0	57.2	183 / 235	5.2	40	4-4
CB/40	4	200.0	45.0	195	4.8	40	4-4
CB/41	4	200.0	45.0	160	4.8	40	4-4
CB/42	2 + 2	229.0	45.0	188 / 243	4.8	36	4-4
CB/43	2 + 2	203.0	45.0	183 / 234	4.8	48	4-4
CB/47	4	203.0	45.0	234	4.8	56	4-4
CB/48	4	229.0	45.0	243	4.8	40	4-4
CB/49	4	200.0	27.5	196	4.7	40	ESPECIAL
CB/51	2 + 2	280.0	63.5	235 / 305	4,5 / 5,8	36	4-5
CB/52	2 + 2	305.0	63.0	278 / 317	4,8 / 6,0	40	4-5
CB/53	8	394.0	107.8	194	19.1	64	10-10
CB/54	8	394.0	152.4	194	19.1	64	10-10

REFERÊNCIA	PÇS/JG	Ø TAMBOR	LARGURA	COMPRIMENTO	ESPESSURA	REBITES	
						QUANTIDADE	TIPO
CB/55	2 + 2	200.0	27.5	188 / 203	4.7	40	ESPECIAL
FD/58	4 + 4	325.0	100.0	144	16.0	64	10-8
FD/59	4 + 4	325.0	120.0	144	16.0	64	10-8
FD/61-S/F	2 + 2	180.0	30.0	172 / 143	3,0 / 6,0	-	-
FD/63-S/F	2 + 2	203.0	36.3	158	3,2 / 6,1	-	-
FD/64-S/F	2 + 2	180.0	30.0	172 / 140	3,0 / 5,0	-	-
FD/65	4	180.0	40.0	160	4.5	32	4-5
FD/66	4	180.0	40.0	140	4.8	32	4-5
FD/68	2 + 2	280.0	50.8	235 / 305	5,2 / 6,0	36	4-5
FD/71	2 + 2	330.0	76.2	289 / 356	6,4 / 7,6	44	7-6
FD/72	2 + 2	330.0	88.9	289 / 356	6,4 / 6,8	44	7-6
FD/73	2 + 2	330.0	76.2	289 / 356	6.4	44	7-6
FD/74	2 + 2	356.0	76.2	311 / 381	6.4	44	7-6
FD/75	4	381.0	127.0	403	12.7	56	7-8
FD/76	4	406.0	76.2	427	8.7	56	7-8
FD/77	4 + 4	325.0	99.0	156 / 154	14.1	48	10-8
FD/78	2 + 2	305.0	76.2	288 / 329	4,8 / 6,4	52	4-5
FD/79	4 + 4	394.0	108.0	188 / 188	12.7	48	10-
FD/80	4 + 4	394.0	127.0	188 / 188	12.7	48	10-
FD/81	8	381.0	219.6	188	18.3	112	10-10
FD/82	4	381.0	101.6	397	12.7	56	7-7
FD/83	8	381.0	101.6	188	18.3	64	10-10
FD/84	8	381.0	177.8	188	18.3	112	10-10
FD/85	8	381.0	152.4	188	18.3	64	10-10
FD/86	4 + 4	381.0	101.6	187 / 191	18.8	64	10-10
FD/87	4 + 4	381.0	152.4	187 / 191	18.8	96	10-10
FD/88	4 + 4	381.0	177.8	187 / 191	18.8	112	10-10
FD/98-S/F	04+04	202.2	35.9	165.2	4.5		
FI/115	4	420.0	125.0	448	12.0	64	13-
FI/117	4 + 4	394.0	152.4	188	12.7	64	10-
FI/118	4 + 4	394.0	127.0	189 / 194	20.2	64	10-10
FI/119	4 + 4	394.0	152.4	189 / 194	20.2	96	10-10
FI/90	4	185.0	30.0	184	5.0	32	ESPECIAL
FI/91-S/F	4	228.0	40.0	170	4.5	-	-
FI/92	2 + 2	325.0	100.0	269 / 311	8.0	52	10-
FI/93	2 + 2	330.0	101.6	316 / 362	9.5	52	10-
FI/94	4	330.0	101.6	316	9.5	48	10-
FI/95	8	381.0	114.3	199	12.7	48	7-
FI/96-S/F	4	180.0	30.0	148	4.5	-	-
FN/106	4	429.0	90.0	412	12.0	64	13-14
FN/107	4	429.0	140.0	412	12.0	112	13-14
FN/116	4 + 4	419.0	101.6	206 / 213	18.2	64	10-10
IV/158	2 + 2	310.0	100.0	236 / 253	12.6	52	-
LD/123-S/F	4	250.0	50.0	245	5.0	-	-
MB/155	4	400.0	60.0	391	6.5	56	7-6
MB/156-S/F	4	254.0	57.2	239	4.8	-	-
MB/157	2 + 2	280.0	63.5	238 / 308	5,5 / 7,0	44	4-5
MB/161	8	408.0	100.0	224	10.0	64	13-10
MB/164	8	408.0	80.0	224	10.0	64	13-10
MB/176	8	408.0	120.0	224	10.0	64	13-10
MB/177	8	410.0	120.0	192	17.3	64	13-10
MB/179	8	418.0	130.0	230	14.8	64	13-10
MB/180	8	418.0	140.0	230	14.8	64	13-10
MB/181	8	418.0	160.0	230	14.8	64	13-10
MB/182	8	410.0	120.0	192	17.3	64	13-10
MB/183	8	410.0	140.0	192	17.3	64	8X20
MB/184	8	410.0	160.0	192	17.3	64	8X20
MB/185	8	410.0	180.0	192	17.3	64	8X20
MB/186	2 + 2	300.0	98.0	262 / 306	9.8	52	ESPECIAL
MB/187	2 + 2	304.0	98.0	265 / 310	11.8	52	ESPECIAL
MB/188	8	410.0	220.0	192	17.3	64	8x20
MB/190	4 + 4	410.0	160.0	190 / 232	17.7	72	8x20
MB/191	4 + 4	410.0	220.0	190 / 232	17.7	72	8x20

REFERÊNCIA	PÇS/JG	Ø TAMBOR	LARGURA	COMPRIMENTO	ESPESSURA	REBITES	
						QUANTIDADE	TIPO
MB/193	2 + 2	300.0	122.0	254 / 282	9.7	52	ESPECIAL
MB/194	8	364.0	160.0	150	20,8 / 15,5	64	6x16
MB/195	8	364.0	180.0	150	20,8 / 15,5	64	6x16
RN/210	2 + 2	254.0	44.5	266	4,8 / 7,2	48	ESPECIAL
ST/350	4+4	420.0	160.0	135,22 / 186,14	15.0	56	
ST/351	8	420.0	185.0	186.14	15.0	64	
ST/352	4+4	419.0	219.1	194,64 / 189,09	21,00 / 10,29 21,11 / 16,56	112	
SV/222	8	413.0	89.0	213	19.0	48	10-12
SV/223	8	413.0	178.0	213	19.0	96	10-12
SV/224	8	413.0	127.0	213	19.0	64	10-12
SV/226	8	413.0	203.0	213	19.0	96	10-12
SV/227	8	413.0	254.0	213	19.0	96	10-12
SV/228	4	413.0	127.0	259	19.0	32	10-12
SV/229	4	413.0	178.0	259	19.0	64	10-12
SV/230	4	413.0	203.0	259	19.0	64	10-12
SV/231	4	413.0	254.0	259	19.0	64	10-12
TR/311	4	356.0	50.8	371	6.4	48	
TR/312	2 + 2	349.0	60.0	277 / 372	7.0	56	
TR/313	4	232.0	44.5	243	4.8	32	
TR/315	4	280.0	50.8	311	4.8	48	4-5
TR/316	4	330.0	63.5	356	6.4	48	7-6
TR/328	1	432.0	98.4	466	9.5	16	
TR/330-S/F	1	330.0	76.2	141	6.4		
TR/339	1	448.0	152.4	229	9.5	16	
TR/348	1	413.0	63.5	437	8.4	18	10-8
TR/354	4 + 8	425.0	88.9	191	6.4	24	4 C/F-8 S/F
TR/368	1	438.0	101.6	460	10.0	20	10-8
TY/251	4	305.0	44.5	319	4.8	48	7-5
TY/252	4	305.0	57.1	306	6.4	48	7-5
TY/253	2	160.0	35.0	140	4.0	16	ESPECIAL
TY/254	4	305.0	75.0	306	6.4	48	7-5
VV/288	4 + 4	394.0	152.4	160 / 209	19.0	72	VOLVO
VV/289	4 + 4	394.0	203.2	160 / 209	19.0	84	VOLVO
VV/290	4 + 4	394.0	254.0	160 / 209	19.0	84	VOLVO
VV/296	8	410.0	125.0	192	18.3	64	10-10
VV/298	8	410.0	175.0	192	18.3	96	10-10
VV/299	8	410.0	200.0	192	18.3	96	10-10
VV/300	8	410.0	225.0	192	18.3	96	10-10
VV/303	8	410.0	173.2	192	17.9	112	10-10
VV/304	8	410.0	198.2	192	17.9	112	10-10
VV/306	4 + 4	381.0	177.8	187 / 191	18.8	112	10-10
VV/307	4 + 4	381.0	219.1	187 / 191	18.8	128	10-10
VV/308	4 + 4	381.0	152.4	187 / 191	18.8	96	10-10
VW/255	2 + 2	324.0	96.5	271 / 325	12.0	44	13-
VW/256	8	381.0	101.6	199	12.5	96	7-6
VW/257	8	381.0	127.0	199	12.5	96	7-6
VW/262	4	230.0	40.0	245	4.0	40	11-5 / 4-5
VW/264	4	230.0	30.2	241	4.0	32	11-5 / 4-5
VW/266	4	230.0	49.8	250	5.0	40	11-5 / 4-5
VW/267	4	230.0	40.0	250	5.0	40	11-5 / 4-5
VW/270	4	250.0	54.8	271	5.0	40	11-5 / 4-5
VW/271	4	250.0	44.8	271	5.0	40	11-5 / 4-5
VW/272	4	248.0	45.0	270	4.0	40	11-5 / 4-5
VW/273	4	180.0	29.8	173	5.0	32	11-5 / 4-5
VW/274	4	180.0	29.8	138	5.0	32	11-5 / 4-5
VW/275	2 + 2	250.0	54.8	211 / 273	6.0	36	11-5 / 4-5
VW/276	4	200.0	38.6	178	5.2	40	11-5 / 4-5
VW/277	4	230.0	40.0	211	5.0	40	
VW/278	4	230.0	30.0	211	5.0	40	

APLICADO nas MARCAS	FRAS-LE	LONAFLEX	BENDIX	BOSCH	COBREQ	FMSI	WVA
Alfa Romeo, Ford	PD/1		HQ-2023	PB 23	N-103	7273 D384	20011
Alfa Romeo, Gurgel, Puma, VW	PD/5	P-5	HQ-2015	PB 15	N-201	755 D21 735 D30	20009
GM, VW	PD/6	P-6	HQ-2020	PB 20	N-302	7255 D31	20034
GM, Puma	PD/7		HQ-2010	PB 10	N-301	719 D2	20030
Clark, GM, Puma	PD/8		HQ-2011	PB 11	N-303		20578
Volkswagen	PD/9					724 D4	20027 16,0
Chrysler, Fiat, Ford	PD/10	P-10	HQ-2001	PB 01	N-108		
GM	PD/11		HQ-2009	PB 09	N-304		
Clark, Gurgel, VW	PD/13	P-13	HQ-2018	PB 18	N-208	7021 D45	20011
VW	PD/16		HQ-2016	PB 16	N-207	7032 D96	20228
Gurgel, VW	PD/17	P-17	HQ-2017	PB 17	N-204	7031 D96	20228
Ford, Fiat	PD/18	P-18	HQ-2022	PB 22	N-501		20375
Agrale, Ford, GM	PD/19-C	P-19-C	HQ-2012	PB 12	N-109	7013A D50	
Ford, GM	PD/22	P-22	HQ-2019	PB 19	N-309		
Ford, GM	PD/22-B		HQ-2028A	PB 19 A/1	N-310		
VW	PD/23	P-23	HQ-2008	PB 08	N-209	7242 D350	21193
Ford, VW	PD/24	P-24	HQ-2003	PB 03	N-115	7529 D649	20752
Ford, VW	PD/24-A		HQ-2167A	PB 03 A/2	N-117	7529 D649	20783
Ford, VW	PD/24-B		HQ-2002A	PB 03 A/1	N-116	7529 D649	
Fiat	PD/25	P-25	HQ-2005	PB 05	N-503 N-524	7242 D350	21193
Fiat	PD/25-A		HQ-2007A	PB 05 A/2	N-506		21195
Fiat	PD/25-B		HQ-2006A	PB 05 A/1	N-504		
Fiat	PD/26	P-26	HQ-2014	PB 14	N-505		
Fiat	PD/27-A		HQ-2043A	PB 43 A/2	N-521		
Ford, VW	PD/28	P-28	HQ-2029	PB 29	N-214	7242 D350	21193
Terex	PD/29			PB 107	P-802		
Lada	PD/31			PB 108	P-852		20166
Lada	PD/32		N-851	PB 110	N-851		20660
Ford, VW	PD/34	P-34	HQ-2046	PB 46	N-128	7529 D649	
Ford, VW	PD/35	P-35	HQ-2059	PB 41	N-144		23300
Ford, VW	PD/36		HQ-2055	PB 55	N-133	7568 D693	21832
GM	PD/37		HQ-2039	PB 39	N-319	7666 D796	21190
GM	PD/38	P-38	HQ-2040	PB 40	N-321	7614 D709	21050
Ford, VW	PD/39		HQ-2056	PB 56	N-131	7201 D298	20907
GM	PD/40		HQ-2110	PB 140	N-322		21368
GM	PD/41		HQ-2111	PB 139	N-326	7314 D426	21140
GM	PD/42	P-42	HQ-2038	PB 38	N-324	7563 D688	20547
VW	PD/43	P-43	HQ-2037	PB 37	N-222		
Ford, VW	PD/44	P-44	HQ-2042	PB 42	N-227		23120
Ford, VW	PD/44-B		HQ-2042A	PB 42 A/1	N-228		
Ford, VW	PD/45	P-45	HQ-2045	PB 45	N-232		
GM	PD/46	P-46	HQ-2157A	PB 0235	N-360	8290 D1176	23226
Fiat	PD/47	P-47	HQ-2049	PB 32	N-511		21193
Fiat	PD/47-A		HQ-2032A	PB 32 A/2	N-513		21962
Fiat	PD/48	P-48	HQ-2081	PB 50	N-530	7201 D298	21193
Fiat	PD/48-A		HQ-2050A	PB 50 A/2	N-516		
Fiat	PD/49		HQ-2114	PB 141	N-514	7144 D228	21144
GM	PD/50		HQ-2030	PB 30	N-316	7489A D610	
VW	PD/51	P-51	HQ-2065	PB 142	N-235	8288 D350	
GM	PD/52	P-52	HQ-2132	PB 143	N-332		21862
GM, VW	PD/54	P-54	HQ-2054	PB 54	N-239	8284 D1173	
Ford	PD/55	P-55	HQ-2051	PB 51	N-136	8316 D1196	21202
GM	PD/57	P-57	HQ-2060A	PB 144	N-344		23063
Audi, VW	PD/58	P-58	HQ-2107	PB 145	N-252	7709 D768 7635A D768	23130
Audi, VW	PD/58-B		HQ-2107A	PB 0145 A/1	N-254	7709 D768	23187
Citroen, Renault	PD/59		HQ-2168			7335 D340	20961 17,1
Fiat	PD/60	P-60	HQ-2154	PB 146	N-532		
GM	PD/61		HQ-2096	PB 96	N-348	7605 D736	21829

APLICADO nas MARCAS	FRAS-LE	LONAFLEX	BENDIX	BOSCH	COBREQ	FMSI	WVA
Ford	PD/62	P-62	HQ-2103	PB 147	N-146	7625 D756 7625 D824	
Ford	PD/63		HQ-2139	PB 148	N-156	7626 D757	
Kia Motors	PD/64		HQ-2095A	PB 95	N-829		23484
Ford	PD/65	P-65	HQ-2106 HQ-2057	PB 57	N-138	8251 D1140	20753
Fiat	PD/66	P-66					
Alfa Romeo, Fiat	PD/66-A		HQ-2066A	PB 150 A/2	N-534		21636
Fiat	PD/66-B			PB 150 A/1			
Mercedes	PD/67-A		HQ-2101A	PB 0155	N-700		23070
Fiat	PD/68	P-68	HQ-2062	PB 152	N-533		23229
Kia Motors	PD/69	P-69	HQ-2129A	PB 153	N-1204		23651
Honda	PD/71	P-71	HQ-2089A	PB 0237	N-835		
GM	PD/72	P-72	HQ-2137	PB 0238	N-351	8252 D1141	23057
Audi, VW	PD/73	P-73	HQ-2170	PB 0240	N-262	7635 D768	21974
Audi, VW	PD/73-B		HQ-2171A	PB 0240 A/1	N-263		
Mitsubishi	PD/74	P-74		PB 279			23487
Troller	PD/76					7679 D806	
GM	PD/77	P-77		PB 0391	N-355	8308 D1189	
Fiat	PD/78-A	P-78-A		PB 0078 A/2			
Ford	PD/79		HQ-3003PA		N-179		
Ford	PD/80						
GM	PD/81	P-81	HQ-3004PA				
VW	PD/82	P-82	HQ-3001PA		N-358		
GM	PD/84		HQ-3008PA		N-375		
Fiat	PD/85	P-85	HQ-2279		N-598		
Fiat	PD/87		HQ-3000PA				
Fiat	PD/88		HQ-3010PA		N-595	8777 D1568	
Fiat	PD/89						
Fiat	PD/90		HQ-3007PA				
Ford	PD/91		HQ-3002PA		N-183		
Fiat	PD/92		HQ-3005PA		N-543		
GM	PD/93						
GM	PD/94				N-367		
Agrale, Ford, Marcopolo, Puma	PD/102	P-102	HQ-2025	PB 25	N-118	8321 D1201	
GM	PD/103		HQ-2004	PB 04	N-308		
Mercedes	PD/104	P-104	HQ-2026	PB 26	N-705	7968 D1062	29835
Ford, GM	PD/105	P-105	HQ-2034	PB 34	N-317		
Ford, GM	PD/106	P-106	HQ-2036	PB 36	N-330	8328 D1208	
GM, Toyota	PD/107	P-107	HQ-2048	PB 48	N-327		
Mercedes	PD/108		HQ-2079	PB 79	N-708		29071
Ford	PD/109	P-109		PB 97			
GM	PD/110	P-110	HQ-2113	PB 98	N-341	7593 D726	23663
Mercedes	PD/111	P-111		PB 91	N-717	7848 D949	29153
Mercedes	PD/111-A		HQ-2091A	PB 91 A/2	N-710	7848 D949A	29076
GM	PD/113	P-113		PB 101	N-335		
Toyota	PD/114			PB 102	N-1324		
Toyota	PD/115	P-115	HQ-2126A	PB 103	N-844	7298 D436	21679
Mercedes	PD/116-K	P-116	JURID-2138	PB 104	N-716	8323 D1203	29042 / 29059 29061 / 29087 29105 / 29108
Mercedes	PD/117	P-117	HQ-2122	PB 105	N-713		29117
Mercedes	PD/117-A			PB 105 A/1			
Mercedes	PD/118	P-118	HQ-2121	PB 106	N-712	7829 D928	23021
Iveco	PD/122	P-122	HQ-2118	PB 280	N-557		29121
Mercedes Benz / Renault	PD/125			PB 0381			29030
Renault / Volvo	PD/129						29131
Volvo		P-131					29126
Mazda	PD/132			PB 0422		7353 D473	21539
Chrysler	PD/134			PB 0392		7744 D869	
Chrysler	PD/135			PB 0512		7530A D650	
Iveco	PD/139						29122
Iveco	PD/189						29229

APLICADO nas MARCAS	FRAS-LE	LONAFLEX	BENDIX	BOSCH	COBREQ	FMSI	WVA
Iveco	PD/190						29232
Volvo	PD/196						29174 / 29219
Iveco	PD/201						29231
Mercedes Benz	PD/205						29246 / 29247
Mercedes Benz	PD/206						29244 / 29245
Renault	PD/305-A		HQ-2078A	PB 0327 A/1	N-430	7194 D292	20937
Peugeot	PD/312-A		HQ-2075A	PB 75 A/2	N-874	7116 D193	20632
Renault	PD/318-A		HQ-2076A	PB 76 A/1	N-433		20926
Renault	PD/321-A		HQ-2072A	PB 72 A/2	N-427	7244 D351	21016
Peugeot, Renault	PD/322-A		HQ-2074A	PB 74 A/2	N-421	7261 D371	20905
Peugeot	PD/326-A		HQ-2077A	PB 77 A/2	N-881	7334 D454	21209
Renault	PD/327			PB 109	N-440	7394 D516	21096
Seat, VW	PD/328		HQ-2052	PB 52	N-883	7209 D569	20887
Seat, VW	PD/329	P-329	HQ-2084	PB 84	N-885	7570 D696A	20168
Asia Motors	PD/330		HQ-2088	PB 88	N-892		20780
Asia Motors	PD/331	P-331	HQ-2082A	PB 111	N-888		23784
Ford	PD/332	P-332	HQ-2058	PB 58	N-140	7532 D652	23472
Kia Motors	PD/333		HQ-2080A	PB 80	N-886		20002 20191 20192
Alfa Romeo, Audi	PD/334			PB 113		7144 D228	20668
Alfa Romeo	PD/335-A		HQ-2115A	PB 114	N-518	D147	20833
Audi	PD/336		HQ-2100	PB 115	N-896	7571 D684A	20168
Ranault	PD/338	P-338		PB 117	N-448		21404
Renault	PD/338-A	P-338-A	HQ-2063A	PB 117 A/2	N-443	8256 D1146	21463
Iveco	PD/339-A			PB 0242 A/2			29107
Audi, VW	PD/340-B			PB 0395	N-264	7710 D687	23392
Mercedes	PD/341	P-341		PB 0396	N-1200	7909 D1006	21592
Hyundai	PD/343			PB 0397			23520
Mazda	PD/344			PB 0398		7257 D366	20008
Peugeot	PD/346	P-346		PB 0400			23600
Renault	PD/347	P-347		PB 0401			23613
Ford	PD/352		HQ-2064	PB 118	N-147	7528 D648 7528D745	21394
Ford	PD/352-A		HQ-2064A	PB 0118 A/2	N-149	7672 D801	21395
Citroen	PD/353						
Hyundai	PD/354	P-354					
Fiat	PD/358			PB 0245			21797
Fiat	PD/358-A		HQ-2116A	PB 0245 A/2	N-553		21798
Audi, Peugeot, Seat, VW	PD/362	P-362	HQ-2085	PB 85	N-884	7234 D340	20961
Citroen, Peugeot	PD/364-A		HQ-2135A	PB 0246 A/2	N-897		21430
Ford	PD/365	P-365				7709 D833	
Audi, VW	PD/367	P-367	HQ-2102	PB 120	N-820 N-260	7569 D694	21866
Seat / Volkswagen	PD/368	P-368	HQ-2108 HQ-2109	PB 0149	N-810	7569 D694 C/16mm	21866
Fiat	PD/369-B		HQ-2159A	PB 0402-A	N-565		23602
Ford	PD/374			PB 121		7125A D387	21830
Mazda	PD/376			PB 122		7219 D466	21654
Mitsubishi	PD/377		HQ-2124A	PB 123	N-826	7241 D349	21373
Suzuki	PD/378		HQ-2144A	PB 124	N-1309	7305 D418	21500
Suzuki	PD/379		HQ-2143A	PB 125	N-1306	7331 D451	21333
Suzuki	PD/380			PB 126		7332 D452	21344
Hyundai	PD/382			PB 127	N-1201	7376 D497	21773
Mitsubishi	PD/383	P-383	HQ-2131A	PB 128	N-1300	7412 D530	21363
Audi, VW	PD/384			PB 0247	N-255	7434 D555	21911
Audi, VW	PD/384-A			PB 129 A/2		7434A D555	20676
BMW	PD/385		PD/385	PB 0248	N-859	7437 D558	21292
Honda	PD/386			PB 130		7178 D273	21331
Toyota	PD/387		HQ-2105A	PB 131	N-841	7441 D695	21601
Honda	PD/388		HQ-2151	PB 132	N-1316	7448 D568	21879
Ford	PD/389			PB 133		7479 D601	
Kia Motors	PD/390			PB 134			20753
Renault	PD/391-A	P-391-A	HQ-2104A	PB 135 A/2	N-441	8255 D1145	21388

APLICADO nas MARCAS	FRAS-LE	LONAFLEX	BENDIX	BOSCH	COBREQ	FMSI	WVA
Chrysler	PD/392			PB 0403		7438B D641	
Acura / Honda	PD/397			PB 0288		7345 D465	21497 18,0
Honda	PD/398					7443 D564	21738
Fiat	PD/403-B		HQ-2067A	PB 0249 A/1	N-562		21927
Honda	PD/404			PB 0465			21697 15,0
Citroen / Peugeot	PD/405-E			PB 0290		8342 D1221	21674 19,0
Ford	PD/410			PB 0250		7545A D667	23627
Citroen	PD/411	P-411	HQ-2134	PB 0251	N-1157	8309 D1190	23346
Citroen, Peugeot	PD/411-E		HQ-2069A	PB 156	N-1100		23124
Peugeot	PD/412	P-412	HQ-2068	PB 138	N-1156		23205
Renault	PD/412-B			PB 138 A/1	N-446		
Peugeot	PD/414-E		HQ-2128A	PB 0157	N-1113		21724
Land Rover	PD/416			PB 252	N-867	7849 D950	23471
Mercedes	PD/417			PB 253		7507A D477 7358A D477	21577
Jeep	PD/418		HQ-2152	PB 0158	N-1400	7358 D712	21822
Suzuki	PD/419			PB 0404		7435 D556	21907
Fiat	PD/422			PB 255			21799
Fiat	PD/422-A		HQ-2117A	PB 255 A/2	N-555		21800
Subaru	PD/423			PB 256		7350 D470	21495
Daewoo	PD/424			PB 0296	N-1200	7267 D378	21059
Nissan	PD/427	P-427		PB 0257		7228 D333	21347
Toyota	PD/429		HQ-2061	PB 0258	N-847	7205 D303	21158
Alfa Romeo, Fiat	PD/430		HQ-2123	PB 0259	N-824		21103
Daewoo	PD/431		BX-92	PB 0299			20939
GM, Suzuki	PD/432			PB 0260	N-1303	7559 D680	23314
Peugeot	PD/435	P-435		PB 0405	N-1158	8254 D1143	23597
GM	PD/436		HQ-2153	PB 0406	N-363	7946 D1043	
GM	PD/437			PB 0407		7951 D1048	
Fiat	PD/438-B	P-438-B	HQ-2160A	PB 0408-A	N-566		23603
Alfa Romeo, Fiat	PD/439		HQ-2141	PB 0261	N-559		23177
Suzuki	PD/441		HQ-2145	PB 0409	N-1312	7540 D660	21142
Ford	PD/442	P-442	HQ-2136	PB 0262	N-161	7690 D816	23154
Honda, Land Rover	PD/444			PB 0263		7256 D365	21719
Honda	PD/449			PB 0305		7382 D503	21651 18,0
Mitsubishi	PD/450			PB 0264		7447 D567	21840
Infiniti / Nissan	PD/453			PB 0308	N-1211	7342 D462	21527 17,0
Land Rover	PD/458-B			PB 0312 A/1		7401 D520	21897
Land Rover	PD/464-B			PB 0314 A/1		7398 D518	21237
Citroen, Peugeot, Renault	PD/465	P-465		PB 265	N-1104		20973
Mitsubishi	PD/469			PB 266		7365 D484	21647
Ssangyong	PD/470			PB 0318			23242
Ssangyong	PD/471-A			PB 0319 A/2			23230
Hyundai	PD/473		HQ-2127A	PB 267	N-893	8247 D1137	23081
Land Rover	PD/474			PB 268	N-832	7551 D671	21519
Daewoo	PD/475			PB 0321		7667 D797	23234
Hyundai	PD/478			PB 0323		8258 D1148	23238
Ford	PD/480			PB 269	N-163	7763 D886	23353
Renault	PD/482			PB 0423			21964
Alfa Romeo	PD/483-A		HQ-2119A	PB 270 A/2	N-605	7469 D590	21147
Alfa Romeo, Fiat	PD/484-A		HQ-2120A	PB 271 A/2	N-607		21383
Chrysler	PD/485		HQ-2125	PB 272	N-833	7616 D746	
Kia Motors	PD/486		HQ-2130A	PB 273	N-1207	7641 D774	23442
VW	PD/487		HQ-2140	PB 274	N-258		21634
BMW	PD/488			PB 275		7567 D692	21607
Mercedes	PD/489			PB 276	N-723	7523 D645	21439
Citroen	PD/490			PB 277			20162
Toyota	PD/491	P-491		PB 0410	N-1319		23766
Chrysler	PD/492			PB 0411		7518A D642	
Honda	PD/493		HQ-2150	PB 0412	N-1313	7497 D621	21694
Fiat	PD/494	P-494		PB 350			
Ford	PD/497	P-497		PB 0413	N-152	8289 D1175	23202
Citroen, Fiat	PD/498-A	P-498-A		PB 0414-A/2	N-573	8318 D1198	23917

APLICADO nas MARCAS	FRAS-LE	LONAFLEX	BENDIX	BOSCH	COBREQ	FMSI	WVA
Mitsubishi	PD/500	P-500		PB 0415			23879
Citroen, Fiat	PD/501	P-501		PB 0416			23921
Chrysler	PD/502					7259 D369	
Honda	PD/503	P-503		PB 0417		8320 D1200	
Citroen, Peugeot	PD/505	P-505		PB 0424			23599
Peugeot	PD/507			PB 0515	N-1165		23332
Fiat	PD/509-B	P-509-B		PB 0516	N-569		23705
Chrysler	PD/510			PB 0553		7623 D730	
Fiat	PD/511-B			PB 0517 A/1	N-582		23709
Toyota	PD/512	P-512					23816
Citroen	PD/514			PB 0425			23409
Renault	PD/516					8325 D1205	23669
Fiat	PD/518				N-583		23714
Seat / Volkswagen	PD/520		HQ-2155	PB 0518			23581
Citroen	PD/521-E			PB 0418	N-1153		21460
Peugeot	PD/522-E		HQ-2163A	PB 0419-A/4	N-1147		20906
Audi, Volkswagen	PD/525-A			PB 0420-A/2		7715 D840	21938
Mercedes	PD/526			PB 0426			29115 / 29116
Toyota	PD/527	P-527		PB 0421		7671 D799	
Toyota	PD/528	P-528		PB 0427		7877 D976	24024 24025 24026
Volvo	PD/529			PB 0520			29125
Chrysler	PD/531			PB 0519		7716 D841	
Nissan	PD/532		HQ-2090A	PB 0554		7389 D510	21657
Mercedes Benz	PD/533	P-533		PB 0384			29148 29115
Nissan	PD/534			PB 0555		7876 D830	
Hyundai	PD/535			PB 0556		8253 D1142	
Nissan	PD/536			PB 0557		7703 D830	
Mazda / Mitsubishi	PD/538			PB 0558		7742 D867	24066
Chrysler	PD/548					7260 D370	
Infiniti / Nissan	PD/550			PB 0559		7070C D183	21561
Chrysler	PD/551					7339 D459	
Acura / Honda	PD/554	P-554		PB 0560		7155 D275	20449
Jeep	PD/556			PB 0561		7502A D666	
Ford	PD/560			PB 0562		7543 D664	
Infiniti / Nissan	PD/561			PB 0563		7566 D691	23420
Infiniti	PD/562			PB 0564		7566 D855	
Honda	PD/563					7573 D465	21497 16.00
Ford / Lincoln	PD/565			PB 0565		7576 D702	
Ford / Lincoln	PD/566			PB 0566		7584 D711	
AM General / Cadillac / GM / Hummer	PD/571			PB 0567		7652 D784	
AM General / Cadillac / GM / Hummer	PD/572			PB 0568		7653 D785	
Jeep	PD/573			PB 0569		7661 D791	23339
Ford	PD/575			PB 0570		7674 D803	23635
Chrysler / Jeep	PD/580			PB 0571		7732 D856	23638
Chrysler	PD/581			PB 0572		7733 D857	23640/23642
Chrysler	PD/582			PB 0573		7734 D858	24036/37/38
Ford / Jaguar	PD/586			PB 0574		7789 D910	23279
Infiniti / Nissan	PD/585					7784 D905	23814/871/872
Jeep	PD/588			PB 0575		7863 D981	
Audi / Volkswagen	PD/592-B			PB 0576 A/1		7921 D1018	23882
Ford / Jaguar	PD/599			PB 0577		7790 D911	23557
Renault	PD/601			PB 0578			23930
Suzuki	PD/611			PB 0579		7557 D677	23400
Toyota	PD/612			PB 0580		7587 D716	23032
Subaru	PD/613			PB 0581		7589 D721	23558/21915
Subaru	PD/614			PB 0582		7590 D722	23780
Mitsubishi	PD/616			PB 0583		7602 D733	23593
Subaru	PD/619			PB 0584		7637 D770	23572

APLICADO nas MARCAS	FRAS-LE	LONAFLEX	BENDIX	BOSCH	COBREQ	FMSI	WVA
Jeep	PD/620			PB 0585		7660 D790	23631/23336
Chrysler	PD/623			PB 0586	N-1160	7616 D820	
Toyota	PD/628			PB 0587		7738 D862	23585
Toyota	PD/629			PB 0588		7955 D1051	23656
Hyundai	PD/630			PB 0589		7739 D864	23569
Mitsubishi	PD/631			PB 0590		7741 D866	23584
Mitsubishi	PD/632			PB 0591		7743 D868	23582
Kia Motors	PD/633			PB 0592			24275
Kia Motors	PD/634			PB 0593			24092/24178/79
Hyundai / Kia Motors	PD/635			PB 0594		7825 D924	23891/92/93
Chrysler	PD/637					7864 D965	
Infiniti / Nissan	PD/638			PB 0595		7870 D969	24056
Honda	PD/644			PB 0596		7795 D914	23868/69
Honda	PD/645			PB 0597		7418 D1086	24231/32/33
Ford	PD/646			PB 0598		8272 D1161	
Ford	PD/647			PB 0599		8277 D1164	
Citroen	PD/648	P-648		PB 0600			23407
Citroen	PD/649-E			PB 0601 A/4			23277
Citroen	PD/650-E			PB 0602 A/4			23273
Citroen	PD/651			PB 0603			23305
Citroen / Peugeot	PD/652-B	P-652-B		PB 0604 A/1			23919/920
Kia Motors	PD/665					7979 D1074	
Kia Motors	PD/666					7344 D464	21553
Kia Motors	PD/667					7917 D1013	24068/23725
Kia Motors	PD/668					8379 D1261	23993
Toyota	PD/669	P-669					
Nissan	PD/672					8456 D1345	
Troller	PD/676					8326 D1206	
Chevrolet, Geo, Toyota	PD/680					7153 D242	20870 15,0
Daewoo	PD/681					7939 D1036	24071
Honda	PD/685	P-685					
Toyota	PD/689	P-689					
Infiniti / Nissan	PD/692					7533 D540	
Toyota / Mitsubishi	PD/695					7487 D606	
Ford	PD/696					7489 D610	
Jeep	PD/708					7358 D477	
GM	PD/711					8381 D1264	
GM	PD/715					8391 D1275	
Honda	PD/717		HQ-2189A			7632 D764	
Hyundai / Kia Motors	PD/725					7688 D813	23543
Infiniti / Nissan	PD/728					7783 D815	
Mahindra	PD/733						
Toyota	PD/745					7787 D908	23928
Chrysler	PD/758					7868 D966	
Volvo	PD/767					7947 D1044	
Mitsubishi	PD/771						24529 / 24530
Jeep	PD/775					7863 D964	
Acura, Honda	PD/782					7493 D617	
Mazda, Volvo, Ford	PD/796					7957 D973	23482
Honda	PD/809		HQ-2266A			7994 D1089	24342
Nissan	PD/811					8200 D1094	
Daewoo	PD/817					7779 D1035	24062/63/64/ 23234
Citroen, Peugeot	PD/1000						24557 / 24558
Audi / VW	PD/1000-B					8212 D1107	23587/588/589
Fiat, Chrysler	PD/1026					8439 D1327	
VW	PD/1028					8767 D1555	
Ford	PD/1028-B						24484
Ford	PD/1029-A					8701 D1502	24486
Audi / VW	PD/1030					8213 D1108	23914
Honda	PD/1052					7702 D829	23178 / 23179
Nissan	PD/1072					8206 D1100	
Suzuki	PD/1077		HQ-4059			8307 D1188	24346

Catálogo de Aplicação - 168

Tabela de Conversão - Sapatas com Lona



Aplicado nas Marcas	FRAS-LE	BRAKEPARTS	TRW	BOSCH	CÓD. ORIGINAL	DIMENSÃO
Asia / Kia Motors	AM/323-CP	BPSA 0097440			AA10026310	200.0 x 36.0
Asia / Kia Motors	KI/133-CP	BPSA 0095450			50832631030A	260.0 x 51.0
Chrysler / Ford	FD/99-CP	BPSA 0090188			4796337	184.0 x 30.0
Chrysler / Ford	FD/137-CP	BPSA 0090170			F65Z/2200/AA	280.0 x 57.0
Citroen	CI/321-CPA	BPSA 0090230			4241 L0	203.0 x 39.0
Citroen / Fiat / Peugeot	FI/170-CPA	BPSA 0097110			4241L2 9945885	254.0 x 57.0
Citroen / Fiat / Peugeot	FI/196-CP	BPSA 0097130			9949494	180.0 x 40.0
Citroen / Fiat / Peugeot	FI/199-CPA	BPSA 0097120			4241H5 9945884	254.0 x 57.0
Citroen / Fiat / Peugeot	FI/322-CP	BPSA 0097140			77363478	172.0 x 42.0
Citroen / Peugeot	PE/172-CPA	BPSA 0097420			4241K8	228.0 x 42.0
Citroën / Peugeotot	PG/203-CP	BPSA 0091205			4241 J6	180.0 x 32.0
Citroën / Peugeotot	PG/204-CPA	BPSA 0091222			95659676 4241 L4	180.0 x 32.0
Citroën / Peugeotot	PG/206-CP	BPSA 0094940			4241 E7	164.0 x 32.0
Citroën / Peugeotot	PG/208-CP	BPSA 0096020			95659470	180.0 x 32.0
Daewoo / GM	CB/58-CPA	BPSA 0096800			96226110 90421797	200.0 x 46.0
Fiat	FI/90-CP	BPSA 0090005			7075552	185.0 x 30.0
Fiat	FI/91-CP	BPSA 0090143		0204072231	7081832 7084710	228.6 x 40.0
Fiat	FI/96-CPA	BPSA 0095040			71738376 5890500	180.0 x 32.0
Fiat	FI/97-CP	BPSA 0090138			7081572 70788585	180.0 x 30.0
Fiat	FI/97-CPA	BPSA 0090139			7081572 7075585	180.0 x 30.0
Fiat	FI/125-CP	BPSA 0094860			76246612 76246613	228.6 x 42.0
Fiat	FI/127-CPA	BPSA 0090140			77362284	230.0 x 42.0
Fiat	FI/129-CPA	BPSA 0090141			77362298 5888453	228.0 x 42.0
Fiat	FI/135-CP	BPSA 0094780			71738376	180.0 x 32.0
Fiat	FI/136-CP	BPSA 0090144			46813923 46813924 7083041	228.0 x 42.0
Fiat	FI/219 - CPA	BPSA 0090146			7086717 51762526	200.0 x 38.0
Fiat	FI/220-CPA	BPSA 0090148			70867718 51781990	228.6 x 40.0
Ford	FD/98-CP	BPSA 0090151			2S65/2200/AA	203.0 x 38.0
Ford	FD/100-CP	BPSA 0090194			F77Z/2200/AA	228.0 x 47.0
Ford	FD/101-CP	BPSA 0090200			BFOT/2200/AA	330.0 x 70.6
Ford	FD/130-CPA	BPSA 0090152	RRSA 0077.0		97FU/2200/BA	229.0 x 45.0
Ford	FD/134-CP	BPSA 0095740			94FX/2200/BD	180.0 x 32.0
Ford	FD/138-CPA	BPSA 0097380			98AB/2200/BE	203.0 x 39.0
Ford	FD/140-CPA	BPSA 0091320			93BB/2200/CB	203.0 x 38.0
Ford	FD/141-CPA	BPSA 0097100			93BB/2200/BD	229.0 x 44.0
Ford	FD/150-CP	BPSA 0090195			F77Z/2200/BA	254.0 x 63.0
Ford / GM	CB/51-CP	BPSA 0090179			93233878	279.4 x 65.0
Ford / GM	FD/61-CPA	BPSA 0097175	RRSA 0071.0		97FU/2200/AA 93336346	180.0 x 32.0
Ford / VW	FD/63-CPA	BPSA 0090150	RRSA 0073.0		95AB/2200/BC	203.0 x 38.0
Ford / VW	FD/64-CPA	BPSA 0094600	RRSA 0066.6		542698161	180.0 x 32.0
Ford / VW	FD/126-CPA	BPSA 0096050	RRSA 0068.2		547698161A	203.0 x 38.0
GM	CB/46-CP	BPSA 0097200			93284576	230.0 x 42.0
GM	CB/49-CPA	BPSA 0094660	RRSA 0147.0		93287403	200.0 x 29.0

Aplicado nas Marcas	FRAS-LE	BRAKEPARTS	TRW	BOSCH	CÓD. ORIGINAL	DIMENSÃO
GM	CB/57-CP	BPSA 0090215			93294389	330,2 x 65.0
GM	CB/132-CP	BPSA 0090168			93260021	279.4 x 52.0
GM	CB/175-CP	BPSA 0090199			90512907	160.0 x 25.0
GM	CB/176-CP	BPSA 0096890			93317719	220.0 x 42.0
GM	CB/177-CP	BPSA 0090198			96626083	190.0 x 25.0
Honda	HO/173-CPA	BPSA 0091265	RRSA 0078.0		04431S5JM00	203.0 x 35.0
Honda	HO/197-CPA	BPSA 0091250			04431SADM00	180.0 x 30.0
Honda	HO/332-CP	BPSA 0091247			43153SB3023	180.0 x 31.0
Honda	HO/333-CP	BPSA 0094350			43153ST0J01 43153SA6672	200.0 x 36.0
Hyundai	HY/336-CP	BPSA 0096062			58305 2EA00	228.0 x 42.0
Hyundai	HY/337-CP	BPSA 0096066			58350 2EA00	170.0 x 27.0
Hyundai	HY/338-CP	BPSA 0096087			58305 4FA01	220.0 x 54.0
Hyundai	HY/339-CPA	BPSA 0097000			58305 22A01	180.0 x 35.0
Hyundai	HY/340-CP	BPSA 0096068			58350 1HA00	168.0 x 25.0
Hyundai	KI/144-CP	BPSA 0096085			58305 4FA10	260.0 x 51.0
Hyundai / Mercedes Benz	MB/156-CP	BPSA 0096070			583053 4A10 631.423.01.07	255.0 x 55.0
Iveco	IV/163-CP	BPSA 0097117			1906403	177,8 x 42.0
Kia Motors	KI/143-CP	BPSA 0095455			NK72A2638Z	254.0 x 60.0
Kia Motors	KI/200-CP	BPSA 0095460			KOBL22638Z	254.0 x 60.0
Kia Motors	KI/360-CP	BPSA 0090193			OK0112638Z	254.0 x 54.0
Lada	LD/123-CP	BPSA 0090730			21013502090	250.0 x 51.0
Mercedes Benz	MB/157-CP	BPSA 0090112			00042000719	280.0 x 63.5
Mercedes Benz	MB/162-CP	BPSA 0090114			002.420.58.20	180.0 x 40.0
Mercedes Benz	MB/169-CPA	BPSA 0090115			68400320	180.0 x 40.0
Mitsubishi	MI/139-CP	BPSA 0095240			MB238363	254.0 x 51.0
Mitsubishi	MI/198-CP	BPSA 0095250			MR178826	279.0 x 52.0
Nissan	NI/174-CP	BPSA 0090169			44060-OW727	295.0 x 50.0
Nissan	NI/175-CP	BPSA 0095700			4406005N25	260.0 x 50.0
Nissan	NI/176-CP	BPSA 0090164			D4060 EN00A	215.0 x 35.0
Peugeot	PG/202-CP	BPSA 0091337			4242K5	180.0 x 30.0
Peugeot	PG/205-CPA	BPSA 0094740			4241 52	255.0 x 61.0
Peugeot	PG/207-CPA	BPSA 0094980			4244 55	228,6 x 42.0
Peugeot	PG/209-CPA	BPSA0091338			4241L5	203.0 x 39.0
Renault	RN/171-CPA	BPSA 0091327			7701205339	228.0 x 42.0
Renault	RN/212-CPA	BPSA 0090100	RRSA 0144.0		7702217480	180.0 x 42.0
Renault	RN/213-CP	BPSA 0090102		0204211641	7701207266	203.0 x 38.0
Renault	RN/214-CP	BPSA 0090103		0204211665	7701205517	228.6 x 40.0
Renault	RN/215-CP	BPSA 0094880			7701204268	180.0 x 42.0
Renault	RN/216-CP	BPSA 0094990			7701202919	203.0 x 39.0
Renault	RN/324-CPA	BPSA 0097490			7701205758	180.0 x 42.0
Renault	RN/325-CPA	BPSA 0097480			7701208111	203.0 x 39.0
Renault	RN/326-CPA	BPSA 0090101			77022217166	255.0 x 46.0
Renault / Fiat	RN/131-CPA	BPSA 0091319			7701206962	203.0 x 38.0
Seat / VW	VW/276-CPA	BPSA 0096830			1HO 609 525/527 1HO 609 525D/526D	200.0 x 40.0
Toyota	TY/320-CP	BPSA 0094530			04495-12210	200.0 x 31.0
Toyota	TY/325-CP	BPSA 0094570			04495-12250	200.0 x 35.0
Toyota	TY/326-CP	BPSA 0096710			04495-35230	295.0 x 50.0
Toyota	TY/327-CP	BPSA 0096740			04495-0K050	279.0 x 60.0
Toyota	TY/328-CPA	BPSA 0094550			449502070	180.0 x 22.0

<p>AM/323-CP ———— Ø 200x36mm</p>	<p>CB/46-CP ———— Ø 230x42mm</p>	<p>CB/49-CPA ———— Ø 200x29mm</p>
<p>CB/51-CP ———— Ø 279x65mm</p>	<p>CB/57-CP ———— Ø 330.2x65mm</p>	<p>CB/58-CPA ———— Ø 200x46mm</p>
<p>CB/132-CP ———— Ø 279x52mm</p>	<p>CB/175-CP ———— Ø 180 X 32 mm</p>	<p>CB/176-CP ———— Ø 220x42mm</p>
<p>CB/177-CP ———— Ø 190x25mm</p>	<p>CI/321-CPA ———— Ø 203x39mm</p>	<p>FD/61-CPA ———— Ø 180x32mm</p>

<p>FD/63-CPA ———— \varnothing 203x38mm</p>	<p>FD/64-CPA ———— \varnothing 180x32mm</p>	<p>FD/98-CPA ———— \varnothing 203x38mm</p>
<p>FD/99-CP ———— \varnothing 184x30mm</p>	<p>FD/100-CP ———— \varnothing 228x47mm</p>	<p>FD/101-CP ———— \varnothing 330x70.6mm</p>
<p>FD/126-CPA ———— \varnothing 203x38mm</p>	<p>FD/130-CPA ———— \varnothing 229x45mm</p>	<p>FD/134-CP ———— \varnothing 180x32mm</p>
<p>FD/137-CP ———— \varnothing 280x57mm</p>	<p>FD/138-CPA ———— \varnothing 203x39mm</p>	<p>FD/140-CPA ———— \varnothing 203x38mm</p>

<p>FD/141-CPA ———— \varnothing 229x44mm</p>	<p>FD/150-CP ———— \varnothing 254x63mm</p>	<p>FI/90-CP ———— \varnothing 185x30mm</p>
<p>FI/91-CP ———— \varnothing 228x40mm</p>	<p>FI/96-CPA ———— \varnothing 180x32mm</p>	<p>FI/97-CP ———— \varnothing 180x30mm</p>
<p>FI/129-CPA ———— \varnothing 228x42mm</p>	<p>FI/135-CP ———— \varnothing 180x32mm</p>	<p>FI/136-CP ———— \varnothing 228x42mm</p>
<p>FI/170-CPA ———— \varnothing 254x57mm</p>	<p>FI/196-CP ———— \varnothing 180x40mm</p>	<p>FI/199-CPA ———— \varnothing 254x57mm</p>

<p>FI/219-CPA — \varnothing 200x38mm</p>	<p>FI/220-CPA — \varnothing 228,6x40mm</p>	<p>FI/322-CP — \varnothing 172x42mm</p>
<p>HO/173-CPA — \varnothing 203x35mm</p>	<p>HO/197-CPA — \varnothing 180x30mm</p>	<p>HO/332-CP — \varnothing 180x31mm</p>
<p>HO/333-CP — \varnothing 200x36mm</p>	<p>HY/336-CP — \varnothing 228x42mm</p>	<p>HY/337-CP — \varnothing 170x27mm</p>
<p>HY/338-CP — \varnothing 220x54mm</p>	<p>HY/339-CPA — \varnothing 180x35mm</p>	<p>HY/340-CP — \varnothing 168x25mm</p>

<p>IV/163-CP ———— \varnothing 177.8x42mm</p>	<p>KI/133-CP ———— \varnothing 260x51mm</p>	<p>KI/143-CP ———— \varnothing 254x60mm</p>
<p>KI/144-CP ———— \varnothing 260x51mm</p>	<p>KI/200-CP ———— \varnothing 254x60mm</p>	<p>KI/360-CP ———— \varnothing 254x54mm</p>
<p>LD/123-CP ———— \varnothing 250x51mm</p>	<p>MB/156-CP ———— \varnothing 255x55mm</p>	<p>MB/157-CP ———— \varnothing 280x63mm</p>
<p>MB/162-CP ———— \varnothing 180x40mm</p>	<p>MB/169-CPA ———— \varnothing 180x40mm</p>	<p>MI/139-CP ———— \varnothing 254x51mm</p>

<p>MI/198-CP ———— Ø 279x52mm</p>	<p>NI/174-CP ———— Ø 295x50mm</p>	<p>NI/175-CP ———— Ø 260x50mm</p>
<p>NI/176-CP ———— Ø 215x35mm</p>	<p>PE/172-CPA ———— Ø 228x42mm</p>	<p>PG/202-CP ———— Ø 180x32mm</p>
<p>PG/203-CP ———— Ø 180x32mm</p>	<p>PG/204-CPA ———— Ø 180x32mm</p>	<p>PG/205-CPA ———— Ø 255x61mm</p>
<p>PG/206-CP ———— Ø 164x32mm</p>	<p>PG/207-CPA ———— Ø 228.6x42mm</p>	<p>PG/208-CP ———— Ø 180x32mm</p>

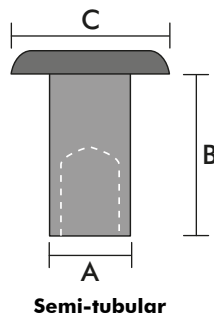
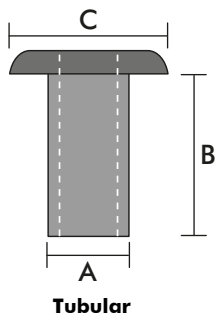
<p>PG/209-CPA — \varnothing 203x39mm</p>	<p>RN/131-CPA — \varnothing 203x38mm</p>	<p>RN/171-CPA — \varnothing 228x42mm</p>
<p>RN/212-CPA — \varnothing 180x42mm</p>	<p>RN/213-CP — \varnothing 203x38mm</p>	<p>RN/214-CP — \varnothing 229x40mm</p>
<p>RN/215-CP — \varnothing 180x42mm</p>	<p>RN/216-CP — \varnothing 203x39mm</p>	<p>RN/324-CPA — \varnothing 180x42mm</p>
<p>RN/325-CPA — \varnothing 203x39mm</p>	<p>RN/326-CPA — \varnothing 255x46mm</p>	<p>TY/320-CP — \varnothing 200x31mm</p>

FRAS-LE	BENDIX	BOSCH	COBREQ
855	HQ-127	LF 0127	0417
1219	HQ-139	LF 0139	1219
2006		LF 0118	
2006-T	HQ-121	LF 0121	2006T
2011		LF 0147	
2053-T		LF 0148	
2080-T	HQ-122	LF 0122	0457T
2095		LF 0146	
2121-T		LF 0149	
8020	HQ-157		
8049	HQ-129	LF 0129	
CB/38	HQ-109	LF 0109	
CB/39		LF 0150	
CB/40	HQ-110	LF 0110	0200 / 0495
CB/41	HQ-110C	LF 0110C	0207
CB/42	HQ-107	LF 0107	
CB/43	HQ-106	LF 0106	
CB/47	HQ-108	LF 0108	
CB/48	HQ-128	LF 0128	
CB/49	HQ-145	LF 0145	0211
CB/51		LF 0151	
CB/52	HQ-143	LF 0143	
CB/55		LF 0152	
FD/61-S/F			
FD/63-S/F			
FD/64-S/F			
FD/65	HQ-116	LF 0116	0443
FD/66	HQ-117	LF 0117	0444
FD/68		LF 0153	
FD/98-S/F			
FI/90	HQ-111	LF 0111	0500
FI/91-S/F			
FI/96-S/F			
LD/123-S/F			
MB/156-S/F			
RN/210		LF 0154	
TY/252	HQ-130	LF 0130	0493
TY/253		LF 0155	
TY/254	HQ-144	LF 0144	
VW/262	HQ-132	LF 0132	0882A
VW/264	HQ-131	LF 0131	0881
VW/270	HQ-135	LF 0135	8080
VW/271	HQ-136	LF 0136	8081
VW/272	HQ-137	LF 0137	8078
VW/273	HQ-133	LF 0133	0436
VW/274	HQ-134	LF 0134	0884
VW/275	HQ-138	LF 0138	0479
VW/276	HQ-140	LF 0140	0885
VW/277			
VW/278			

FRAS-LE	LONAFLEX	BENDIX	BOSCH	THERMOID	COBREQ
2032					
2039		HQ-119	BE 0409	2039	
2042			BE 0378		
2060			BE 0408		
4375					
4480					
4515			BE 0388		
4707	L-641		BE/BD 0390	TH-205	
4710	L-640		BE/BD 0391	TH-191	
4718	L-639		BE/BD 0392	TH-4718	
4720	L-642		BE/BD 0393		
2026-AT			BE 0386		
2026-T		HQ-104	BE 0104	2026T	
2042-A	L-533	HQ-105	BE 0105	TH-99	0435
4195-B	L-378	BNA-328	BE 0328	TH-4195B	4195B
4354-A					
4514-F	L-136-A	BNA-312	BE 0312	TH-4514	4514T
4514-G	L-136-K	BNA-335	BE 0335	TH-157	4514GD
4515-C	L-157-A	BNA-313	BE 0313	TH-4515	4515T
4515-G	L-157-O	BNA-306	BE 0306	TH-151	4515FC
4524-B	L-502	BNA-301	BE 0301	TH-54	4524FT
4564-A			BE 0389		
659-B		HQ-123	BE 0410	659B	
CA/32	L-638	BNA-329	BE/BD 0329	TH-4516	4644T
CA/33	L-636		BE/BD 0394	TH-204	
CA/36	L-635				
CB/36		HQ-102	BE 0411	TH-15	
CB/53	L-142	BNA-310	BE 0310	TH-152	
CB/54	L-144		BE 0311	TH-153	
FD/58	L-562				
FD/59	L-559				
FD/71	L-535		BE 0395		0470T
FD/72	L-577	HQ-115	BE 0115	TH-93	0428
FD/73	L-534	HQ-120	BE 0412	TH-72 / 73	
FD/74	L-523	HQ-114	BE 0114	TH-697C	0413A
FD/75	L-524	BNA-309	BE 0309	TH-92 / 112	1252
FD/76	L-488		BE 0124		
FD/77	L-219		BE/BD 0396	TH-202	
FD/78			BD 0413		
FD/80	L-661	BNA-304	BE 0304	TH-117	0440
FD/81	L-637	BNA-385	BE 0385	TH-187	
FD/82	L-655		BE 0397		
FD/83	L-728	BNA-308	BE 0308	TH-150	0463T
FD/84	L-220	BNA-371	BE 0371	TH-167	0464T
FD/85	L-221	BNA-376	BE 0376	TH-175	0466T
FD/86	L-222	BNA-372	BE 0372	TH-174	0812T
FD/87	L-223	BNA373	BE/BD 0373	TH-165	0814T
FD/88	L-224	BNA-374	BE/BD 0374	TH-166	0815T
FI/117	L-627	BNA-305	BE 0305	TH-122	0448
FI/118		BNA-375		TH-171	
FI/119	L-226	BNA-380	BE 0380	TH-170	
FN/107			BE 0398		
IV/158	L-736				

FRAS-LE	LONAFLEX	BENDIX	BOSCH	THERMOID	COBREQ
MB/157	L-115				
MB/161				TH-18	
MB/164				TH-19	
MB/176	L-348	BNA-321	BE 0321	TH-22	0111
MB/177	L-652-B	BNA-314	BE 0314	TH-141	
MB/179	L-633	BNA-322	BE 0322	TH-37A	
MB/180	L-501	BNA-323	BE 0323	TH-37	0326
MB/181	L-509	BNA-324	BE 0324	TH-38	0327
MB/182	L-652	BNA-316	BE 0316	TH-136	0132T
MB/183	L-651	BNA-315	BE/BD 0315	TH-134	0133T
MB/184	L-552	BNA-319	BE/BD 0319	TH-133	0134T
MB/185	L-551	BNA-317	BE/BD 0317	TH-132	0135T
MB/186	L-522	HQ-125	BE 0125	TH-74 / 75	0422
MB/187	L-522-E	HQ-126	BE 0126	TH-131	
MB/188	L-227	BNA-370	BE/BD 0370	TH-164	0137T
MB/190	L-131	BNA-336	BE/BD 0336	TH-148	0140T
MB/191	L-133	BNA-337	BE/BD 0337	TH-142	0141T
MB/193	L-586		BE/BD 0399	TH-161	
MB/194	L-511				
MB/195	L-512				
ST/350	L-350				
ST/351	L-351				
ST/352	L-352				
SV/223	L-107	BNA-325	BE/BD 0325	TH-12	0461
SV/224	L-311	BNA-326	BE/BD 0326	TH-11	0462
SV/226	L-497	BNA-327	BE/BD 0327	TH-67	0418
SV/227	L-499	BNA-338	BE/BD 0338	TH-143	0710
SV/228	L-307		BE/BD 0400	TH-178	0711
SV/229	L-308	BNA-392	BE/BD 0401	TH-180	0712
SV/230	L-309	BNA-387	BE/BD 0402	TH-179	0713
SV/231	L-310	BNA-388	BE/BD 0403	TH-181	0714
TR/311					
TR/313					
TR/315					
TR/328					
TR/330-S/F					
TR/348					
TR/368					
VV/288	L-663	BNA-330	BE/BD 0330	TH-4517	0471T
VV/289	L-664	BNA-331	BE/BD 0331	TH-4518	0472T
VV/290	L-665	BNA-339	BE/BD 0339	TH-155	0720T
VV/296	L-709	BNA-377	BE 0377	TH-198	0721T
VV/298	L-710		BE 0404	TH-199	0722T
VV/299	L-711	BNA-378	BE 0378	TH-200	0723T
VV/300	L-712	BNA-379	BE 0379	TH-201	0724T
VV/303	L-733		BE 0405 / BD 0416	TH-206	
VV/304	L-734		BE 0406 / BD 0417	TH-207	
VV/306					
VV/307					
VV/308					
VW/255	L-141		BE 0407	TH-144	0810
VW/256	L-540	BX-302	BE 0302	TH-145	
VW/257	L-541	BX-303	BE 0303	TH-146	

Norma	Tipo	Dimensões (mm)			Dimensões (polegadas)		
		A	B	C	A	B	C
SAE	4 - 3	3.6	4.8	8.0	9/64	3/16	5/16
	4 - 4	3.6	6.4	8.0	9/64	1/4	5/16
	4 - 5	3.6	8.0	8.0	9/64	5/16	5/16
	4 - 6	3.6	9.5	8.0	9/64	3/8	5/16
	4 - 7	3.6	11.0	8.0	9/64	7/16	5/16
	5 - 4	3.6	6.4	9.5	9/64	1/4	3/8
	5 - 5	3.6	8.0	9.5	9/64	5/16	3/8
	5 - 6	3.6	9.5	9.5	9/64	3/8	3/8
	5 - 7	3.6	11.0	9.5	9/64	7/16	3/8
	6 - 16	6.0	16.0	16.0		5/8	5/8
	7 - 3	4.8	4.8	9.5	3/16	3/16	3/8
	7 - 4	4.8	6.4	9.5	3/16	1/4	3/8
	7 - 5	4.8	8.0	9.5	3/16	5/16	3/8
	7 - 6	4.8	9.5	9.5	3/16	3/8	3/8
	7 - 7	4.8	11.0	9.5	3/16	7/16	3/8
	7 - 8	4.8	13.0	9.5	3/16	1/2	3/8
	7 - 10	4.8	16.0	9.5	3/16	5/8	3/8
	7 - 12	4.8	19.0	9.5	3/16	3/4	3/8
	8 - 8	4.8	13.0	13.0	3/16	1/2	1/2
	8 - 10	4.8	16.0	13.0	3/16	5/8	1/2
	8 - 12	4.8	19.0	13.0	3/16	3/4	1/2
	8 - 14	4.8	22.0	13.0	3/16	7/8	1/2
	8 - 16	4.8	25.0	13.0	3/16	1	1/2
	10 - 6	6.4	9.5	13.0	1/4	3/8	1/2
	10 - 8	6.4	13.0	13.0	1/4	1/2	1/2
	10 - 10	6.4	16.0	13.0	1/4	5/8	1/2
	10 - 12	6.4	19.0	13.0	1/4	3/4	1/2
	10 - 14	6.4	22.0	13.0	1/4	7/8	1/2
	10 - 16	6.4	25.0	13.0	1/4	1	1/2
	11 - 5	4.0	8.0	8.0	5/32	5/16	5/16
	13 - 10	8.0	16.0	16.0	5/16	5/8	5/8
	13 - 12	8.0	19.0	16.0	5/16	3/4	5/8
13 - 14	8.0	22.0	14.0	5/16	7/8	9/16	
13 - 16	8.0	25.0	14.0	5/16	1	9/16	
DIN	8 x 15	8.0	15.0	16.0			
	8 x 16	8.0	16.0	16.0			
	8 x 18	8.0	18.0	16.0			
	8 x 20	8.0	20.0	16.0			
	8 x 22	8.0	22.0	16.0			
	VOLVO	6.2	19.0	12.5			



A =	Diâmetro do corpo
B =	Comprimento da haste
C =	Diâmetro da cabeça

A Fras-le recomenda a utilização de rebite tubular ou semi-tubular de latão ou aço latonado.
A força de rebitagem recomendada para rebites de diâmetro entre 6mm e 8mm é de 2400kgf +/- 100kgf.



Campo de Provas



Matriz - Parque Industrial - Caxias do Sul - RS - Brasil



Fábrica Alabama - Estados Unidos



Operação Internacional



Parque Industrial



Clientes

Fábrica Pinghu - China

FRAS-LE ARGENTINA

Calle 109 (ex 1º de Agosto), 2755
B1650NHF - San Martín
Provincia de Buenos Aires - Argentina
Tel.: (+ 54 11) 4752 8500
Fax: (+ 54 11) 4754 0911
ventas@fras-le.com.ar

FRAS-LE ANDINA

Calle Andrés de Bueñalida 69
Oficina 701
Providencia - Santiago - Chile
Tel.: (+ 56 2) 334 9349
Fax: (+ 56 2) 231 6281
frasandina@fras-le.com

FRAS-LE MEXICO

Av. Universidad No. 989
Primer Piso, Oficina 103
Col. Del Valle - Delegación Benito Juárez
03100 - México, D.F. - México
Tel.: (+ 52 55) 5524 1896
Fax: (+ 52 55) 5524 1899
fras-lemexico@fras-le.com

FRAS-LE NORTH AMERICA

Sales Office
22260 Haggerty Rd, Suite 365
Northville, Michigan 48167 - USA
Tel.: (+ 1 248) 735 4900
Fax: (+ 1 248) 735 4901
fnai@fras-le.com

Alabama Manufacturing Facility
103 Echlin Boulevard
Prattville, Alabama
36067 - USA
Tel.: (+ 1 334) 358 5775
Fax: (+ 1 334) 365 8483

FRAS-LE ASIA

Pinghu Manufacturing Facility
No.1688 Hongjian Road,
Pinghu Economic Development Zone
Zhejiang Province, China
Postal Code 314200
P.R. China
Tel.: (+ 86 573) 8529 0700
Fax: (+ 86 573) 8529 0720
fras-leasia@fras-le.com

FRAS-LE EUROPE

Wiesmannstrasse 46 - Building C 0
45881- Gelsenkirchen - Germany
Tel.: (+ 49 209) 386 240
Fax: (+ 49 209) 386 2415
fleu@fras-le.com

FRAS-LE AFRICA

Regent Hill Office Park, Block C, Office 7A
Cnr Leslie & Turley Rds, Lonehill, 2062
Johannesburg - South Africa
Tel.: (+ 27 11) 702 8340
Fax: (+ 27 11) 467 1476
fras-leaffrica@fras-le.com

FRAS-LE MIDDLE EAST

P.O. Box 261416 Lob 13, 1st Floor, No. 28
Jebel Ali Free Zone Dubai - U.A.E.
Tel.: (+971) 4 8810344
Fax: (+971) 4 8810355
fras-leme@fras-le.com



www.fras-le.com



FRAS-LE S.A. - Matriz

RS 122 - Km 66, nº 10945

Caxias do Sul

Tel.: (+55 54) 3239 1000 - Fax: (+55 54) 3239 1921